



Chipsmall Limited consists of a professional team with an average of over 10 year of expertise in the distribution of electronic components. Based in Hongkong, we have already established firm and mutual-benefit business relationships with customers from,Europe,America and south Asia,supplying obsolete and hard-to-find components to meet their specific needs.

With the principle of “Quality Parts,Customers Priority,Honest Operation,and Considerate Service”,our business mainly focus on the distribution of electronic components. Line cards we deal with include Microchip,ALPS,ROHM,Xilinx,Pulse,ON,Everlight and Freescale. Main products comprise IC,Modules,Potentiometer,IC Socket,Relay,Connector.Our parts cover such applications as commercial,industrial, and automotives areas.

We are looking forward to setting up business relationship with you and hope to provide you with the best service and solution. Let us make a better world for our industry!



Contact us

Tel: +86-755-8981 8866 Fax: +86-755-8427 6832

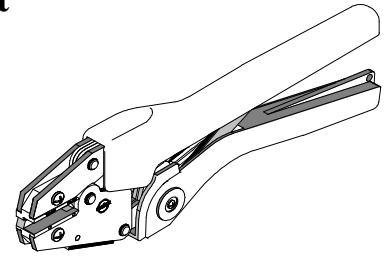
Email & Skype: info@chipsmall.com Web: www.chipsmall.com

Address: A1208, Overseas Decoration Building, #122 Zhenhua RD., Futian, Shenzhen, China





Hand Crimp Tool Specifications Sheet
Order No. 64003-4200
Engineering No. RHT-NIFG
(Replaces 19284-0031)



FEATURES

- A full cycle ratcheting hand tool ensures complete crimps
- Long handles for comfortable crimping with reduced crimping force

SCOPE

Flag Krimptite/Vibrakrimp™ Un-insulated Female Quick Disconnect Terminals 14-22 AWG.

Testing

Mechanical

The tensile test, or pull test, is a means of evaluating the mechanical properties of the crimped connections. The following charts show the specifications for various wire sizes. The tensile strength is shown in pounds and indicates the minimum acceptable force to break or separate the terminal from the conductor.

Wire Size (AWG)	*UL 310
22	8
20	13
18	20
16	30
14	50

*UL – 310 – Quick Disconnects, Flags and Couplers

The following is a partial list of the product part numbers and their specifications that this tool is designed to run. We will be adding to this list and an up to date copy is available on www.molex.com.

Wire Size: 18 – 22 AWG 0.80 – 0.35mm ²					
Terminal No.	Terminal Eng No. (REF)	Wire Strip Length		Insulation Diameter Maximum	
		In.	mm	In.	mm
19008-0001	AA-1147	.313	7.94	N/A	N/A
19008-0002	AA-1147-032	.313	7.94	N/A	N/A
19008-0006	AA-1158	.313	7.94	N/A	N/A
19009-0001	AA-4168	.234	5.95	.135	3.43
19009-0003	AA-4170	.234	5.95	.135	3.43
19009-0004	AA-4170-032	.234	5.95	.135	3.43

Wire Size: 14 – 16 AWG 2.00 – 1.30mm ²					
Terminal No.	Terminal Eng No. (REF)	Wire Strip Length		Insulation Diameter Maximum.	
		In.	mm	In.	mm
19008-0019	BB-1148	.313	7.94	N/A	N/A
19008-0020	BB-1148-032	.313	7.94	N/A	N/A
19008-0024	BB-1159	.313	7.94	N/A	N/A
19009-0010	BB-4169	.234	5.95	.145	3.68
19009-0012	BB-4171	.234	5.95	.145	3.68
19009-0013	BB-4171-032	.234	5.95	.145	3.68
19203-0375	19203-0375	.313	7.94	N/A	N/A
19203-0406	19203-0406	.313	7.94	N/A	N/A
19203-0407	19203-0407	.313	7.94	N/A	N/A

OPERATION

Open the tool by first closing the jaws sufficiently for the ratchet mechanism to release.

Crimping Terminals

1. To achieve the correct conductor crimp, insert the terminal centered in the proper nest as shown in Figure 1. The crimp should be centered over the serrations (ribs), which are visible on the outside of the flag barrel. The crimp should not fall off the edge of the barrel.
2. Partially close the tool to hold the terminal in place. See Figure 3.
3. Insert the properly stripped wire into the terminal barrel. See Figure 2 and 3.
4. Now close the handle completely and release. The jaws will open when the tool has fully closed.

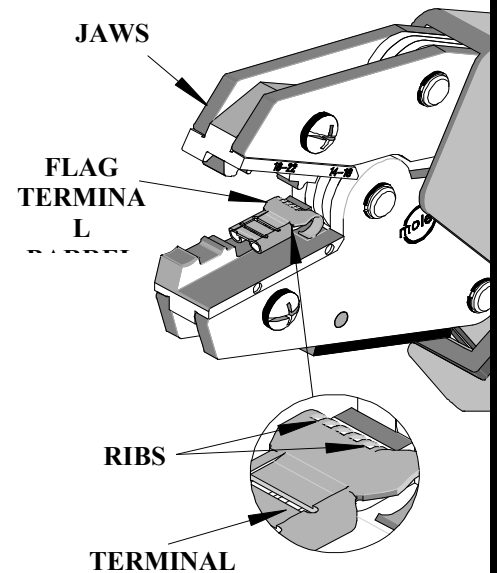


Figure 1
(Vibrakrimp™ Terminal)

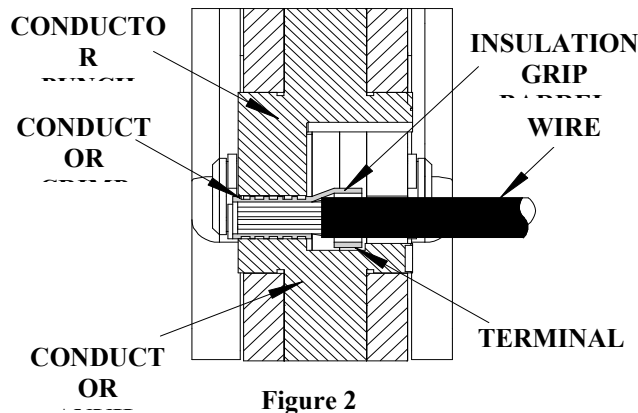


Figure 2

Note: The tamper proof ratchet action will not release the tool until it has been fully closed.

Crimping Terminals with Insulation Grip Barrel

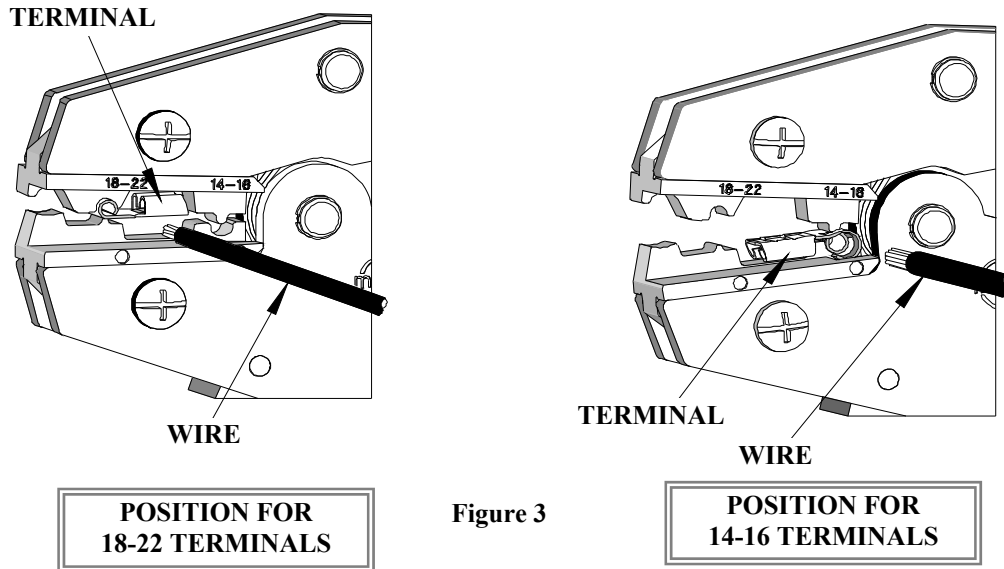


Figure 3

1. After the conductor barrel crimp has been crimped, load the terminal with the wire into the insulation grip nest, as shown in Figure 4. Make sure the wire is positioned from the opposite side. See Figure 4.
2. Complete the crimp until the insulation grip barrel is wrapped snug around the insulation of the wire.

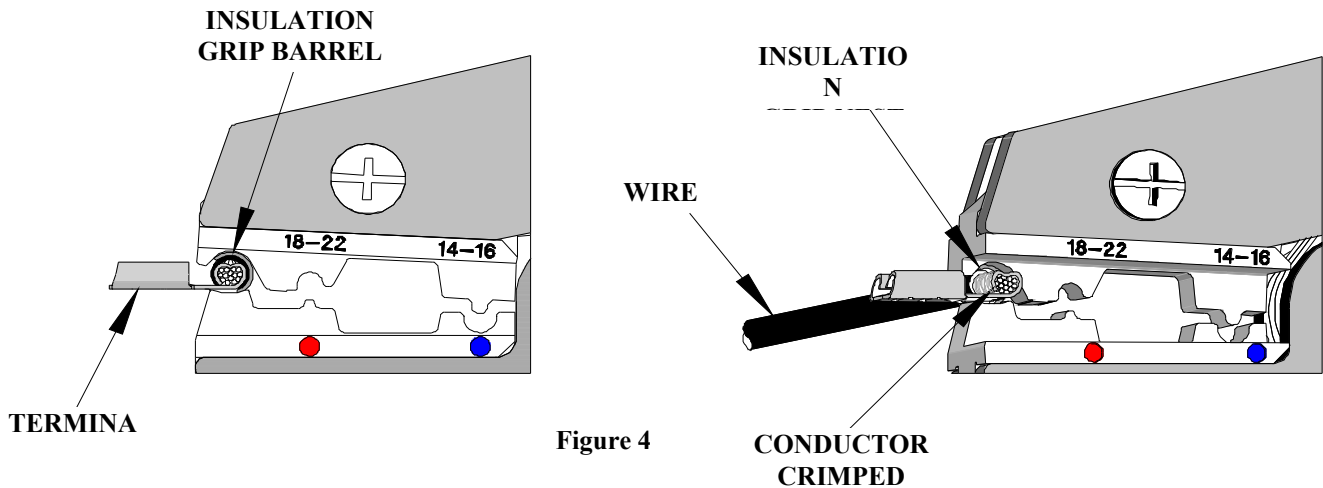


Figure 4

Maintenance

It is recommended that each operator of the tool be made aware of, and responsible for, the following maintenance steps:

1. Remove dust, moisture and other contaminants with a clean brush, or soft, lint-free cloth.
2. Do not use any abrasive materials that could damage the tool.

3. Make certain all pins; pivot points and bearing surfaces are protected with a thin coat of high quality machine oil. Do not oil excessively. This hand tool was engineered for durability, but like any fine piece of equipment, it needs cleaning and lubrication for a maximum service life of trouble-free crimping. A light oil, such as 30 weight automotive oil used at the oil points shown in Figure 4, every 5,000 crimps or 3 months will significantly enhance the tool life and ensure a stable calibration.
4. When tool is not in use, keep the handles closed to prevent objects from becoming lodged in the crimping dies, and store the tool in a clean, dry area.

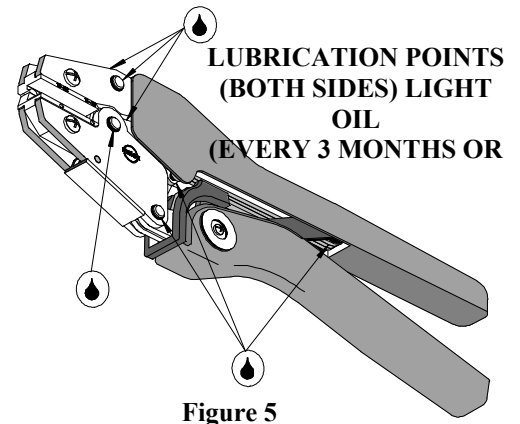


Figure 5

Miscrimps or Jams

Should this tool ever become stuck or jammed in a partially closed position, **Do Not force the handles open or closed.** The tool will open easily by lifting the ratchet release lever (See Figure 5).

How to Adjust Tool Preload (See Figure 6)

Over the life of the tool, it may be necessary to adjust tool handle preload force. Listed below are the steps required to adjust the crimping force of the hand tool to obtain proper crimp conditions:

1. Remove the screw and plastic cover washer. Note the setting wheel position.
2. Lift the setting wheel off the axle. Turn the eccentric axle with a screwdriver.
3. Turning the eccentric axle counter-clockwise (CCW) will increase handle force.
4. Replace the setting wheel to the axle, aligning the nearest notch in the setting wheel to the dowel pin.
5. Replace the plastic cover washer and screw.
6. Check the crimp specifications after tool handle preload force is adjusted.

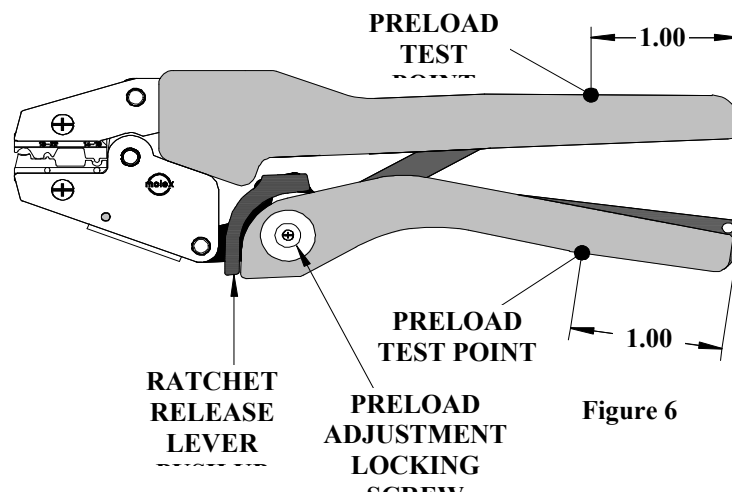
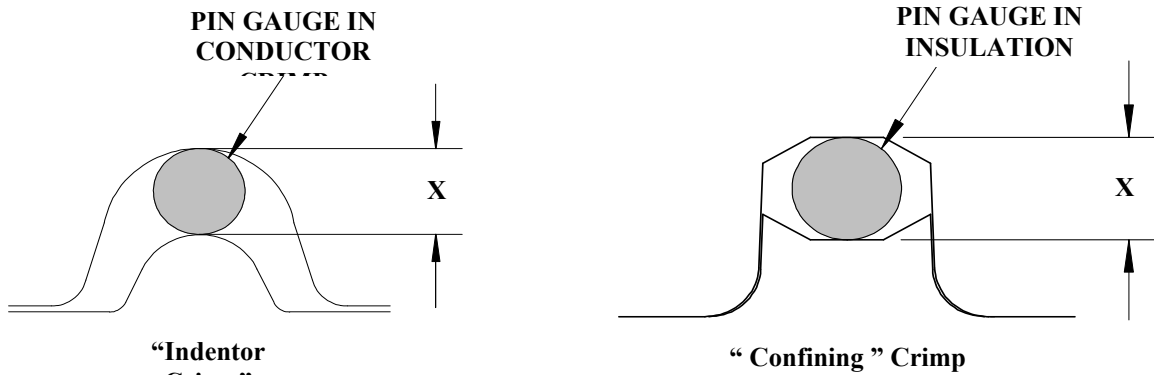


Figure 6

Tool Calibration

A Certificate of Calibration (see last page) was supplied with the tool. To recalibrate this Tool, measurements should be taken from each conductor nest and compared to this chart. The tool should be lubricated before recalibration to ensure consistent measurements. Handle preload is factory set to 25-45 LBS. See How to Adjust Tool Preload (see Figure 5) to recalibrate.



Nest Color Code	Wire Range		"X" Dimension Conductor Crimp			Crimp Inspection Marking
	AWG	mm ²	Mean	Go	No Go	
Blue	14 - 16	2.00 - 1.30	.050	.047	.052	---
Red	18 - 22	0.80 - 0.35	.042	.040	.044	---
			"X" Pin Diameter for Insulation Crimp			
----	14 - 22	2.00 - 1.30	.096	.092	.100	---

Warranty

CAUTION: Molex crimp specifications are valid only when used with Molex terminals and tooling.

This tool is for electrical terminal crimping purposes only. This tool is made of the best quality materials. All vital components are long life tested. All tools are warranted free of manufacturing defects for a period of **30 days**. Should such a defect occur, we will repair or exchange the tool free of charge. This repair or exchange will not be applicable to altered, misused or damaged tools. This tool is designed for hand use only. Any clamping, fixturing, or use of handle extensions voids this warranty.

Hand held crimping tools are intended for low volume, prototyping, or repair requirements only.

CAUTION: Repetitive use of this tool should be avoided.

PARTS LIST

Item	Order No	Description	Quantity
	64003-4200	Hand Crimp Tool	Figure 7
1	64000-0076	Repair Kit (Springs, Pins and E-Rings)	1
2	63810-0000	Handle	1
3	64003-4270	Tooling Kit	1
Tooling Kit Only			
4	64003-4201	Conductor Punch	1
5	64003-4202	Conductor Anvil	1

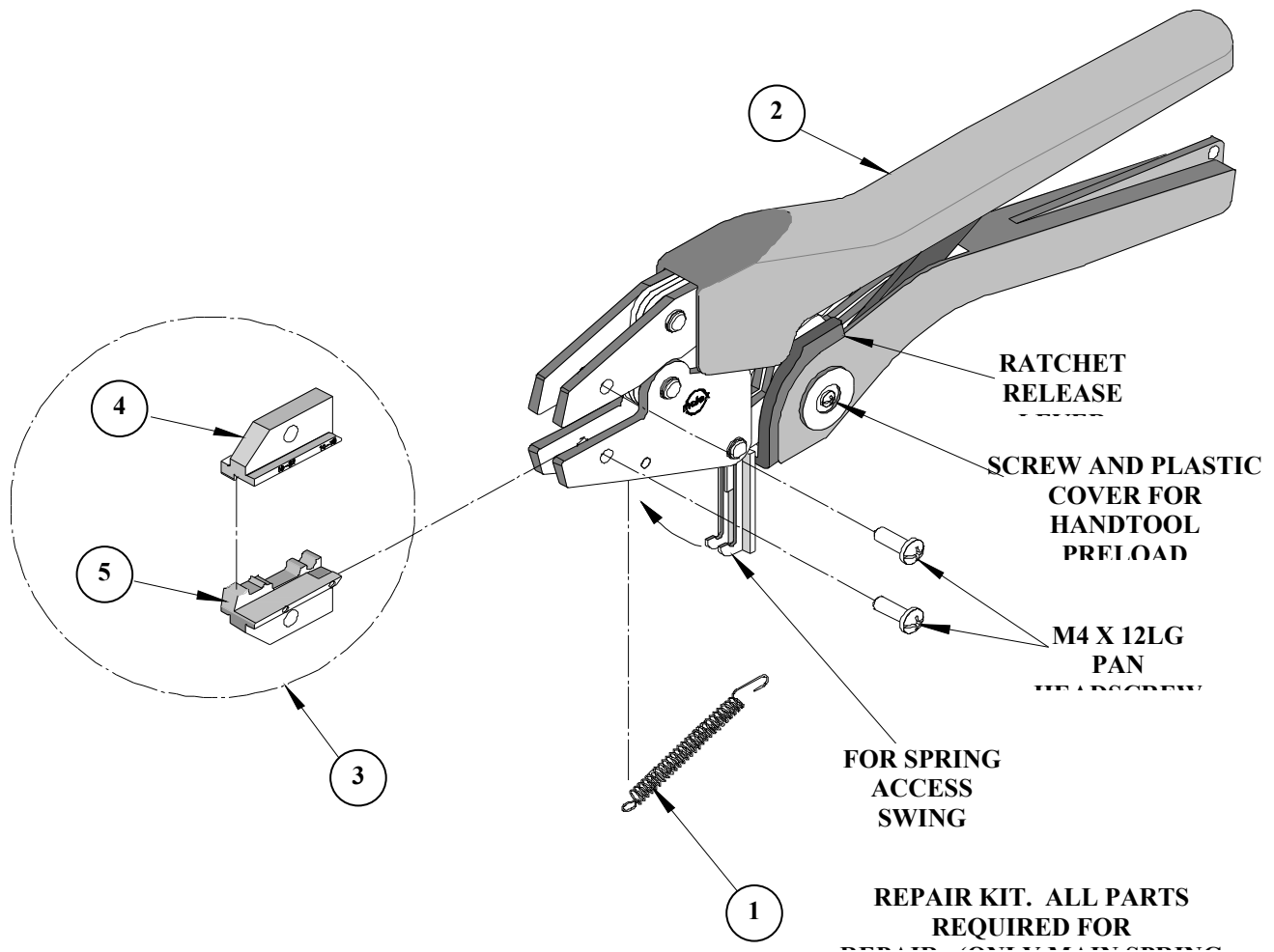
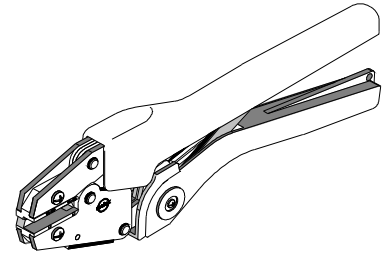


Figure 7



Certificate of Calibration

Tool Order Number _____

Tool Eng. Number _____

Tool Revision _____

Serial Number _____

Date of Manufacture _____

Handle Load Range at 1 inch from the Tips = _____

Actual = _____

Pin Gauge of Conductor Nest/Nests or Slug height if the nest is the "F" Crimp style.

Range Conductor Nest # 1 = _____ -- Actual = _____

Range Conductor Nest # 2 = _____ -- Actual = _____

Range Insulation Grip Nest # 3 = _____ -- Actual = _____

Technician _____

Date of Calibration _____

Calibration should be done every 5,000 cycles or 3 months.
Tools should be lubricated during this operation.

**Americas
Headquarters**
Lisle, Illinois 60532
U.S.A.
1-800-78MOLEX
amerinfo@molex.com

**Far East North
Headquarters**
Yamato, Kanagawa, Japan
81-462-65-2324
feninfo@molex.com

**Far East South
Headquarters**
Jurong,
Singapore
65-6-268-6868
fesinfo@molex.com

**European
Headquarters**
Munich, Germany
49-89-413092-0
eurinfo@molex.com

**Corporate
Headquarters**
2222 Wellington Ct.
Lisle, IL 60532 U.S.A.
630-969-4550
Fax: 630-969-1352

Visit our Web site at <http://www.molex.com>