



Chipsmall Limited consists of a professional team with an average of over 10 year of expertise in the distribution of electronic components. Based in Hongkong, we have already established firm and mutual-benefit business relationships with customers from,Europe,America and south Asia,supplying obsolete and hard-to-find components to meet their specific needs.

With the principle of “Quality Parts,Customers Priority,Honest Operation,and Considerate Service”,our business mainly focus on the distribution of electronic components. Line cards we deal with include Microchip,ALPS,ROHM,Xilinx,Pulse,ON,Everlight and Freescale. Main products comprise IC,Modules,Potentiometer,IC Socket,Relay,Connector.Our parts cover such applications as commercial,industrial, and automotives areas.

We are looking forward to setting up business relationship with you and hope to provide you with the best service and solution. Let us make a better world for our industry!



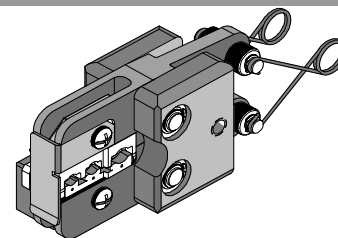
## Contact us

Tel: +86-755-8981 8866 Fax: +86-755-8427 6832

Email & Skype: info@chipsmall.com Web: www.chipsmall.com

Address: A1208, Overseas Decoration Building, #122 Zhenhua RD., Futian, Shenzhen, China





**Air Powered  
Crimp Tool Head  
Avikrimp™ and  
Insulkrimp™**

**Application Tooling  
Specification Sheet**

**Order No. 64005-0100  
Engineering No. AT 1990  
(Replaces 19283-0001)**

**FEATURES**

- Quick-change tool head for the 19279-0001 (AT-200)
- Tooling kit is interchangeable with other kits in the 64001 and 64003 Series
- A precision user-friendly terminal locator wire stop holds terminals in the proper crimping position for each of the three nests
- Insulation crimp adjustment allows a precise insulation crimp. To meet or exceed the requirements of UL, CSA and Military Class II
- 3-nested tool eliminates the need for additional tools
- Pneumatic powered crimp tools help reduce fatigue and discomfort from repetitive manual crimping

**SCOPE**

Products: Avikrimp™ and Insulkrimp™ Terminals and Splices 10 – 22 AWG, (Rings, Spades, Hooks, Block Spades and Flanged Spades). Also terminates ends of step down butt splice 10-12 to 14 - 16 AWG and 14 - 16 to 18 - 22 AWG. This tool head is intended for use in the 19279-0001 (AT-200) either hand held or with optional bench adapter 19078-0307 (ATBA) and foot switch.

**Testing  
Mechanical**

The tensile test, or pull test, is a means of evaluating the mechanical properties of the crimped connections. The following charts show the UL and Government specifications (MIL-T-7928) for various wire sizes. The tensile strength is shown in pounds and indicates the minimum acceptable force to break or separate the terminal from the conductor.

Wire Size (AWG)	*UL - 486 A	*UL - 486 C	**Military Class 2
22	8	8	15
20	13	10	19
18	20	10	38
16	30	15	50
14	50	25	70
12	70	35	110
10	80	40	150

\*UL - 486 A - Terminals (Copper conductors only)

\*UL - 486 C - Butt Splices, Parallel Splices

\*\*Military Class 2– Military Approved Terminals only as listed



The following is a partial list of the product part numbers and their specifications that this tool is designed to run. We will be adding to this list and an up to date copy is available on [www.molex.com](http://www.molex.com).

Wire Size: 18 – 22 AWG 0.80 – 0.35mm <sup>2</sup>					
Terminal No.	Terminal Eng No. (REF)	Wire Strip Length		Insulation Diameter Maximum	
		In	mm	In	mm
19023-0005	AMCT-2X	.312	7.93	.145	3.68
19023-0007	AMMCT-2X	.234	5.95		
19025-0001	AMCT-5	.312	7.93	.140	3.55
19025-0002	AMCT-57	.312	7.93	.140	3.55
19026-0003	AMCT-8	.312	7.93	.140	3.55
19026-0004	AMCT-87	.312	7.93		
19034-0001	A-769	.312	7.94	.145	3.68
19034-0002	A-259X	.312	7.94	.145	3.68
19034-0005	A-269X	.312	7.94	.145	3.68
19035-0001	A-559	.312	7.94	.145	3.68
19035-0003	A-569	.312	7.94	.145	3.68
19036-0001	A-859	.312	7.94	.145	3.68
19036-0003	A-869	.312	7.94	.145	3.68
19054-0031	A-220-02X	.312	7.94	.145	3.68
19054-0032	A-220-04X	.312	7.94	.145	3.68
19054-0033	A-220-06X	.312	7.94	.145	3.68
19054-0035	A-221-06X	.312	7.94	.145	3.68
19054-0037	A-221-08X	.312	7.94	.145	3.68
19054-0039	A-221-10X	.312	7.94	.145	3.68
19054-0041	A-222-10X	.312	7.94	.145	3.68
19054-0042	A-222-14X	.312	7.94	.145	3.68
19054-0044	A-222-56X	.312	7.94	.145	3.68
19054-0046	A-226-10X	.312	7.94	.145	3.68
19054-0047	A-226-14X	.312	7.94	.145	3.68
19054-0048	A-226-38X	.312	7.94	.145	3.68
19054-0050	A-226-56X	.312	7.94	.145	3.68
19054-0051	A-232-04X	.312	7.94	.145	3.68
19054-0052	A-232-06X	.312	7.94	.145	3.68
19054-0054	A-232-08X	.312	7.94	.145	3.68
19054-0058	A-233-08X	.312	7.94	.145	3.68
19054-0059	A-233-10X	.312	7.94	.145	3.68
19054-0060	AB-225-10HD	.234	5.95	.175	4.44
19054-0061	AB-225-14HD	.234	5.95	.175	4.44
19054-0062	AB-225-56HD	.234	5.95	.175	4.44
19055-0001	A-620-02X	.312	7.94	.145	3.68
19055-0003	A-620-04X	.312	7.94	.145	3.68
19055-0006	A-620-06X	.312	7.94	.145	3.68
19055-0008	A-621-06X	.312	7.94	.145	3.68
19055-0011	A-621-08X	.312	7.94	.145	3.68
19055-0014	A-621-10X	.312	7.94	.145	3.68
19055-0016	A-622-10X	.312	7.94	.145	3.68
19055-0018	A-622-14X	.312	7.94	.145	3.68
19055-0020	A-622-56X	.312	7.94	.145	3.68
19055-0022	A-626-10X	.312	7.94	.145	3.68
19055-0023	A-626-14X	.312	7.94	.145	3.68
19055-0025	A-626-38X	.312	7.94	.145	3.68
19055-0027	A-626-56X	.312	7.94	.145	3.68
19055-0029	A-632-04X	.312	7.94	.145	3.68
19055-0031	A-632-06X	.312	7.94	.145	3.68
19055-0033	A-632-08X	.312	7.94	.145	3.68
19055-0038	A-633-10X	.312	7.94	.145	3.68
19057-0001	A-520-02	.312	7.94	.145	3.68
19057-0003	A-520-04	.312	7.94	.145	3.68
19057-0005	A-520-06	.312	7.94	.145	3.68
19057-0007	A-521-06	.312	7.94	.145	3.68
19057-0009	A-521-08	.312	7.94	.145	3.68
19057-0011	A-521-10	.312	7.94	.145	3.68
19057-0013	A-522-10	.312	7.94	.145	3.68

Wire Size: 18 – 22 AWG 0.80 – 0.35mm <sup>2</sup>					
Terminal No.	Terminal Eng No. (REF)	Wire Strip Length		Insulation Diameter Maximum	
		In	mm	In	mm
19057-0015	A-522-14	.312	7.94	.145	3.68
19057-0017	A-522-56	.312	7.94	.145	3.68
19057-0019	A-526-10	.312	7.94	.145	3.68
19057-0020	A-526-14	.312	7.94	.145	3.68
19057-0022	A-526-38	.312	7.94	.145	3.68
19057-0024	A-526-56	.312	7.94	.145	3.68
19057-0026	A-532-04	.312	7.94	.145	3.68
19057-0028	A-532-06	.312	7.94	.145	3.68
19057-0030	A-532-08	.312	7.94	.145	3.68
19057-0035	A-533-10	.312	7.94	.145	3.68
19058-0008	A-821-06	.312	7.94	.145	3.68
19070-0001	AA-2111-02X	.234	5.95	.145	3.68
19070-0003	AA-2111-04X	.234	5.95	.145	3.68
19070-0005	AA-220-02X	.234	5.95	.145	3.68
19070-0007	AA-220-04X	.234	5.95	.145	3.68
19070-0009	AA-220-06X	.234	5.95	.145	3.68
19070-0011	AA-221-06X	.234	5.95	.145	3.68
19070-0013	AA-221-08X	.234	5.95	.145	3.68
19070-0015	AA-221-10X	.234	5.95	.145	3.68
19070-0016	AA-221-10XR90	.234	5.95	.145	3.68
19070-0018	AA-221-10T45	.234	5.95	.145	3.68
19070-0019	AA-221-209X	.234	5.95	.145	3.68
19070-0021	AA-222-10X	.234	5.95	.145	3.68
19070-0023	AA-222-14X	.234	5.95	.145	3.68
19070-0026	AA-222-56X	.234	5.95	.145	3.68
19070-0029	AA-226-10X	.234	5.95	.145	3.68
19070-0031	AA-226-14X	.234	5.95	.145	3.68
19070-0033	AA-226-38X	.234	5.95	.145	3.68
19070-0036	AA-226-56X	.234	5.95	.145	3.68
19070-0038	AA-232-04X	.234	5.95	.145	3.68
19070-0040	AA-232-06X	.234	5.95	.145	3.68
19070-0044	AA-232-08X	.234	5.95	.145	3.68
19070-0051	AA-233-10X	.234	5.95	.145	3.68
19070-0394	AA-220-06XR90	.234	5.95	.145	3.68
19071-0001	AA-6111-02X	.234	5.95	.145	3.68
19071-0003	AA-6111-04X	.234	5.95	.145	3.68
19071-0005	AA-620-02X	.234	5.95	.145	3.68
19071-0007	AA-620-04X	.234	5.95	.145	3.68
19071-0009	AA-620-06X	.234	5.95	.145	3.68
19071-0011	AA-621-06X	.234	5.95	.145	3.68
19071-0013	AA-621-08X	.234	5.95	.145	3.68
19071-0015	AA-621-10X	.234	5.95	.145	3.68
19071-0017	AA-622-10X	.234	5.95	.145	3.68
19071-0019	AA-622-14X	.234	5.95	.145	3.68
19071-0021	AA-622-56X	.234	5.95	.145	3.68
19071-0023	AA-626-10X	.234	5.95	.145	3.68
19071-0024	AA-626-14X	.234	5.95	.145	3.68
19071-0026	AA-626-38X	.234	5.95	.145	3.68
19071-0028	AA-626-56X	.234	5.95	.145	3.68
19071-0030	AA-632-04X	.234	5.95	.145	3.68
19071-0032	AA-632-06X	.234	5.95	.145	3.68
19071-0034	AA-632-08X	.234	5.95	.145	3.68
19071-0040	AA-633-10X	.234	5.95	.145	3.68
19073-0001	AA-8111-02	.250	6.35	.140	3.55
19073-0003	AA-8111-04	.250	6.35	.140	3.55
19073-0005	AA-820-02	.250	6.35	.140	3.55
19073-0007	AA-820-04	.250	6.35	.140	3.55
19073-0009	AA-820-06	.250	6.35	.140	3.55

Wire Size: 18 – 22 AWG 0.80 – 0.35mm <sup>2</sup>					
Terminal No.	Terminal Eng No. (REF)	Wire Strip Length		Insulation Diameter Maximum	
		In	mm	In	mm
19073-0011	AA-821-06	.250	6.35	.140	3.55
19073-0013	A-821-08	.312	7.94	.145	3.68
19073-0013	AA-821-08	.250	6.35	.140	3.55
19073-0017	AA-821-10	.250	6.35	.140	3.55
19073-0020	AA-821-209	.250	6.35	.140	3.55
19073-0022	AA-822-10	.250	6.35	.140	3.55
19073-0024	AA-822-14	.250	6.35	.140	3.55
19073-0025	AA-822-14R90	.250	6.35	.140	3.55
19073-0027	AA-822-56	.250	6.35	.140	3.55
19073-0029	AA-826-10	.250	6.35	.140	3.55
19073-0030	AA-826-14	.250	6.35	.140	3.55
19073-0032	AA-826-38	.250	6.35	.140	3.55
19073-0034	AA-826-56	.250	6.35	.140	3.55
19073-0036	AA-832-04	.250	6.35	.140	3.55
19073-0038	AA-832-06	.250	6.35	.140	3.55
19073-0042	AA-832-08	.250	6.35	.140	3.55
19073-0049	AA-833-10	.250	6.35	.140	3.55
19073-0051	AB-825-10HD	.234	5.95	.170	4.31
19073-0053	AB-825-14HD	.234	5.95	.170	4.31
19073-0055	AB-825-56HD	.234	5.95	.170	4.31
19073-0303	AA-832-06R90	.250	6.35	.140	3.55
19080-0001	A-2006-MSX	.312	7.94	.145	3.68
19081-0001	A-5006-MS	.312	7.94	.145	3.68
19089-0001	A-205-04X	.312	7.94	.145	3.68
19089-0002	A-205-06X	.312	7.94	.145	3.68
19089-0004	A-206-06X	.312	7.94	.145	3.68
19089-0005	A-206-08X	.312	7.94	.145	3.68
19089-0006	A-206-10X	.312	7.94	.145	3.68
19089-0007	A-214-04X	.312	7.94	.145	3.68
19089-0008	A-214-06X	.312	7.94	.145	3.68
19089-0009	A-214-08X	.312	7.94	.145	3.68
19089-0010	A-292-06X	.312	7.94	.145	3.68
19089-0012	A-292-08X	.312	7.94	.145	3.68
19089-0013	A-292-10X	.312	7.94	.145	3.68
19089-0014	A-295-06X	.312	7.94	.145	3.68
19089-0015	A-295-08X	.312	7.94	.145	3.68
19089-0016	A-295-10X	.312	7.94	.145	3.68
19089-0017	A-298-04X	.312	7.94	.145	3.68
19089-0018	A-298-06X	.312	7.94	.145	3.68
19089-0019	A-298-08X	.312	7.94	.145	3.68
19089-0020	A-298-10X	.312	7.94	.145	3.68
19090-0001	AA-205-04X	.234	5.95	.145	3.68
19090-0002	AA-205-06X	.234	5.95	.145	3.68
19090-0007	AA-2110-02X	.234	5.95	.145	3.68
19090-0009	AA-2110-04X	.234	5.95	.145	3.68
19090-0011	AA-214-04X	.234	5.95	.145	3.68
19090-0013	AA-214-06X	.234	5.95	.145	3.68
19090-0015	AA-214-08X	.234	5.95	.145	3.68
19090-0024	AA-292-06X	.234	5.95	.145	3.68
19090-0026	AA-292-08X	.234	5.95	.145	3.68
19090-0028	AA-292-10X	.234	5.95	.145	3.68
19090-0030	AA-295-06X	.234	5.95	.145	3.68
19090-0032	AA-295-08X	.234	5.95	.145	3.68
19090-0034	AA-295-10X	.234	5.95	.145	3.68
19090-0036	AA-298-04X	.234	5.95	.145	3.68
19090-0038	AA-298-06X	.234	5.95	.145	3.68
19090-0040	AA-298-08X	.234	5.95	.145	3.68
19090-0042	AA-298-10X	.234	5.95	.145	3.68
19091-0001	A-605-04X	.312	7.94	.145	3.68
19091-0003	A-605-06X	.312	7.94	.145	3.68
19091-0006	A-606-06X	.312	7.94	.145	3.68
19091-0008	A-606-08X	.312	7.94	.145	3.68
19091-0010	A-606-10X	.312	7.94	.145	3.68

Wire Size: 18 – 22 AWG 0.80 – 0.35mm <sup>2</sup>					
Terminal No.	Terminal Eng No. (REF)	Wire Strip Length		Insulation Diameter Maximum	
		In	mm	In	mm
19091-0012	A-614-04X	.312	7.94	.145	3.68
19091-0014	A-614-06X	.312	7.94	.145	3.68
19091-0016	A-614-08X	.312	7.94	.145	3.68
19091-0018	A-692-06X	.312	7.94	.145	3.68
19091-0020	A-692-08X	.312	7.94	.145	3.68
19091-0022	A-692-10X	.312	7.94	.145	3.68
19091-0024	A-695-06X	.312	7.94	.145	3.68
19091-0026	A-695-08X	.312	7.94	.145	3.68
19091-0028	A-695-10X	.312	7.94	.145	3.68
19091-0030	A-698-04X	.312	7.94	.145	3.68
19091-0032	A-698-06X	.312	7.94	.145	3.68
19091-0034	A-698-08X	.312	7.94	.145	3.68
19091-0036	A-698-10X	.312	7.94	.145	3.68
19092-0001	AA-605-04X	.234	5.95	.145	3.68
19092-0003	AA-605-06X	.234	5.95	.145	3.68
19092-0009	AA-6110-02X	.234	5.95	.145	3.68
19092-0011	AA-6110-04X	.234	5.95	.145	3.68
19092-0013	AA-614-04X	.234	5.95	.145	3.68
19092-0015	AA-614-06X	.234	5.95	.145	3.68
19092-0017	AA-614-08X	.234	5.95	.145	3.68
19092-0019	AA-692-06X	.234	5.95	.145	3.68
19092-0021	AA-692-08X	.234	5.95	.145	3.68
19092-0023	AA-692-10X	.234	5.95	.145	3.68
19092-0025	AA-695-06X	.234	5.95	.145	3.68
19092-0027	AA-695-08X	.234	5.95	.145	3.68
19092-0029	AA-695-10X	.234	5.95	.145	3.68
19092-0031	AA-698-04X	.234	5.95	.145	3.68
19092-0033	AA-698-06X	.234	5.95	.145	3.68
19092-0035	AA-698-08X	.234	5.95	.145	3.68
19092-0037	AA-698-10X	.234	5.95	.145	3.68
19094-0001	A-505-04	.312	7.94	.145	3.68
19094-0003	A-505-06	.312	7.94	.145	3.68
19094-0006	A-506-06	.312	7.94	.145	3.68
19094-0008	A-506-08	.312	7.94	.145	3.68
19094-0010	A-506-10	.312	7.94	.145	3.68
19094-0013	A-514-06	.312	7.94	.145	3.68
19094-0016	A-514-08	.312	7.94	.145	3.68
19094-0019	A-592-06	.312	7.94	.145	3.68
19094-0021	A-592-08	.312	7.94	.145	3.68
19094-0023	A-592-10	.312	7.94	.145	3.68
19094-0026	A-595-06	.312	7.94	.145	3.68
19094-0027	A-595-08	.312	7.94	.145	3.68
19094-0029	A-595-10	.312	7.94	.145	3.68
19094-0031	A-598-04	.312	7.94	.145	3.68
19094-0033	A-598-06	.312	7.94	.145	3.68
19094-0035	A-598-08	.312	7.94	.145	3.68
19094-0037	A-598-10	.312	7.94	.145	3.68
19095-0001	AA-805-04	.250	6.35	.140	3.55
19095-0003	AA-805-06	.250	6.35	.140	3.55
19095-0016	AA-814-04	.250	6.35	.145	3.68
19095-0018	AA-814-06	.250	6.35	.145	3.68
19095-0020	AA-814-08	.250	6.35	.145	3.68
19095-0036	AA-892-06	.250	6.35	.140	3.55
19095-0038	AA-892-08	.250	6.35	.140	3.55
19095-0040	AA-892-10	.250	6.35	.140	3.55
19095-0042	AA-895-06	.250	6.35	.140	3.55
19095-0044	AA-895-08	.250	6.35	.140	3.55
19095-0046	AA-895-10	.250	6.35	.140	3.55
19095-0048	AA-898-04	.250	6.35	.140	3.55
19095-0050	AA-898-06	.250	6.35	.140	3.55
19095-0052	AA-898-08	.250	6.35	.140	3.55
19095-0054	AA-898-10	.250	6.35	.140	3.55
19095-0142	AA-8110-02	.250	6.35	.140	3.55

Wire Size: 18 – 22 AWG 0.80 – 0.35mm <sup>2</sup>					
Terminal No.	Terminal Eng No. (REF)	Wire Strip Length		Insulation Diameter Maximum	
		In	mm	In	mm
19099-0001	AA-2190-06X	.234	5.95	.145	3.68
19099-0003	AA-2191-08X	.234	5.95	.145	3.68
19099-0005	AA-2192-10X	.234	5.95	.145	3.68
19099-0007	AA-2704-05X	.234	5.95	.145	3.68
19099-0009	AA-2704-06X	.234	5.95	.145	3.68
19099-0011	AA-2705-08X	.234	5.95	.145	3.68
19099-0012	AA-2706-10X	.234	5.95	.145	3.68
19099-0013	AA-2714-08X	.234	5.95	.145	3.68
19099-0015	AA-2715-10X	.234	5.95	.145	3.68
19099-0081	AA-2704-04X	.234	5.95	.145	3.68
19115-0001	AA-8190-06	.250	6.35	.143	3.63
19115-0003	AA-8191-08	.250	6.35	.143	3.63
19115-0005	AA-8192-10	.250	6.35	.143	3.63
19115-0007	AA-8704-05	.250	6.35	.140	3.55
19115-0009	AA-8704-06	.250	6.35	.140	3.55
19115-0011	AA-8705-08	.234	5.95		
19115-0012	AA-8714-08	.250	6.35	.140	3.55
19115-0014	AA-8715-10	.250	6.35	.140	3.55
19115-0052	AA-8706-10	.234	5.95		
19119-0001	A-2108-02X	.312	7.94	.145	3.68
19119-0003	A-215-04X	.312	7.94	.145	3.68
19119-0004	A-215-06X	.312	7.94	.145	3.68
19119-0007	A-215-08X	.312	7.94	.145	3.68
19119-0010	A-215-10X	.312	7.94	.145	3.68
19119-0011	A-2461-04X	.312	7.94	.145	3.68
19119-0012	A-2461-06X	.312	7.94	.145	3.68
19119-0014	A-2461-08X	.312	7.94	.145	3.68
19119-0015	A-2461-10X	.312	7.94	.145	3.68
19119-0016	A-290-06X	.312	7.94	.145	3.68
19119-0017	A-290-08X	.312	7.94	.145	3.68
19119-0018	A-290-10X	.312	7.94	.145	3.68
19119-0019	A-293-06X	.312	7.94	.145	3.68
19119-0020	A-293-08X	.312	7.94	.145	3.68
19119-0021	A-293-10X	.312	7.94	.145	3.68
19119-0022	A-296-04X	.312	7.94	.145	3.68
19119-0023	A-296-06X	.312	7.94	.145	3.68
19119-0024	A-296-08X	.312	7.94	.145	3.68
19119-0095	A-290-10XX	.312	7.94	.145	3.68
19120-0003	A-615-04X	.312	7.94	.145	3.68
19120-0005	A-615-06X	.312	7.94	.145	3.68
19120-0007	A-615-08X	.312	7.94	.145	3.68
19120-0014	A-690-06X	.312	7.94	.145	3.68
19120-0016	A-690-08X	.312	7.94	.145	3.68
19120-0018	A-690-10X	.312	7.94	.145	3.68
19120-0020	A-693-06X	.312	7.94	.145	3.68
19120-0022	A-693-08X	.312	7.94	.145	3.68
19120-0024	A-693-10X	.312	7.94	.145	3.68
19120-0029	A-696-06X	.312	7.94	.145	3.68
19120-0031	A-696-08X	.312	7.94	.145	3.68
19121-0001	AA-2108-02X	.234	5.95	.145	3.68
19121-0002	AA-2108-04X	.234	5.95	.145	3.68
19121-0004	AA-215-04X	.234	5.95	.145	3.68
19121-0005	AA-215-06X	.234	5.95	.145	3.68
19121-0007	AA-215-08X	.234	5.95	.145	3.68
19121-0009	AA-215-10X	.234	5.95	.145	3.68
19121-0011	AA-2461-04X	.234	5.95	.145	3.68
19121-0012	AA-2461-06X	.234	5.95	.145	3.68
19121-0013	AA-2461-08X	.234	5.95	.145	3.68
19121-0014	AA-2461-10X	.234	5.95	.145	3.68
19121-0015	AA-290-06X	.234	5.95	.145	3.68
19121-0016	AA-290-08X	.234	5.95	.145	3.68
19121-0017	AA-290-10X	.234	5.95	.145	3.68
19121-0018	AA-293-06X	.234	5.95	.145	3.68

Wire Size: 18 – 22 AWG 0.80 – 0.35mm <sup>2</sup>					
Terminal No.	Terminal Eng No. (REF)	Wire Strip Length		Insulation Diameter Maximum	
		In	mm	In	mm
19121-0019	AA-293-08X	.234	5.95	.145	3.68
19121-0020	AA-293-10X	.234	5.95	.145	3.68
19121-0021	AA-296-04X	.234	5.95	.145	3.68
19121-0022	AA-296-06X	.234	5.95	.145	3.68
19121-0024	AA-296-08X	.234	5.95	.145	3.68
19122-0001	AA-6108-02X	.234	5.95	.145	3.68
19122-0003	AA-6108-04X	.234	5.95	.145	3.68
19122-0005	AA-615-04X	.234	5.95	.145	3.68
19122-0007	AA-615-06X	.234	5.95	.145	3.68
19122-0009	AA-615-08X	.234	5.95	.145	3.68
19122-0011	AA-690-06X	.234	5.95	.145	3.68
19122-0013	AA-690-08X	.234	5.95	.145	3.68
19122-0015	AA-690-10X	.234	5.95	.145	3.68
19122-0017	AA-693-06X	.234	5.95	.145	3.68
19122-0019	AA-693-08X	.234	5.95	.145	3.68
19122-0021	AA-693-10X	.234	5.95	.145	3.68
19122-0023	AA-696-04X	.234	5.95	.145	3.68
19122-0025	AA-696-06X	.234	5.95	.145	3.68
19125-0001	A-515-04	.312	7.94	.145	3.68
19125-0003	A-515-06	.312	7.94	.145	3.68
19125-0005	A-515-08	.312	7.94	.145	3.68
19125-0007	A-515-10	.312	7.94	.145	3.68
19125-0009	A-5461-04	.312	7.94	.145	3.68
19125-0010	A-5461-06	.312	7.94	.145	3.68
19125-0011	A-5461-08	.312	7.94	.145	3.68
19125-0012	A-5461-10	.312	7.94	.145	3.68
19125-0013	A-590-06	.312	7.94	.145	3.68
19125-0015	A-590-08	.312	7.94	.145	3.68
19125-0017	A-590-10	.312	7.94	.145	3.68
19125-0019	A-593-06	.312	7.94	.145	3.68
19125-0021	A-593-08	.312	7.94	.145	3.68
19125-0023	A-593-10	.312	7.94	.145	3.68
19125-0025	A-596-04	.312	7.94	.145	3.68
19125-0027	A-596-06	.312	7.94	.145	3.68
19125-0029	A-596-08	.312	7.94	.145	3.68
19126-0004	A-815-10	.312	7.94	.145	3.68
19126-0026	A-815-08	.312	7.94	.145	3.68
19127-0001	AA-8108-02	.250	6.35	.140	3.55
19127-0003	AA-8108-04	.250	6.35	.140	3.55
19127-0005	AA-815-04	.250	6.35	.143	3.63
19127-0007	AA-815-06	.250	6.35	.143	3.63
19127-0010	AA-815-08	.250	6.35	.143	3.63
19127-0012	AA-815-10	.250	6.35	.143	3.63
19127-0014	AA-8461-04	.250	6.35	.140	3.55
19127-0015	AA-8461-06	.250	6.35	.140	3.55
19127-0016	AA-8461-08	.250	6.35	.140	3.55
19127-0017	AA-8461-10	.250	6.35	.140	3.55
19127-0019	AA-890-06	.250	6.35	.140	3.55
19127-0021	AA-890-08	.250	6.35	.140	3.55
19127-0023	AA-890-10	.250	6.35	.140	3.55
19127-0025	AA-893-06	.250	6.35	.140	3.55
19127-0027	AA-893-08	.250	6.35	.140	3.55
19127-0029	AA-893-10	.250	6.35	.140	3.55
19127-0031	AA-896-04	.250	6.35	.140	3.55
19127-0033	AA-896-06	.250	6.35	.140	3.55
19127-0035	AA-896-08	.250	6.35	.140	3.55
19130-0002	A-2118-06X	.312	7.94	.145	3.68
19130-0003	A-2118-08X	.312	7.94	.145	3.68
19130-0004	A-234-04X	.312	7.94	.145	3.68
19130-0005	A-234-06X	.312	7.94	.145	3.68
19130-0006	A-234-08X	.312	7.94	.145	3.68
19130-0007	A-234-10X	.312	7.94	.145	3.68
19130-0008	A-238-04X	.312	7.94	.145	3.68

Wire Size: 18 – 22 AWG 0.80 – 0.35mm <sup>2</sup>					
Terminal No.	Terminal Eng No. (REF)	Wire Strip Length		Insulation Diameter Maximum	
		In	mm	In	mm
19130-0009	A-238-06X	.312	7.94	.145	3.68
19131-0027	AA-294-10X	.234	5.95	.145	3.68
19131-0028	AA-294-08X	.234	5.95	.145	3.68
19131-0029	AA-294-06X	.234	5.95	.145	3.68
19131-0031	AA-238-06X	.234	5.95	.145	3.68
19131-0033	AA-238-04X	.234	5.95	.145	3.68
19131-0034	AA-234-10X	.234	5.95	.145	3.68
19131-0036	AA-234-08X	.234	5.95	.145	3.68
19131-0038	AA-234-06X	.234	5.95	.145	3.68
19131-0039	AA-234-04X	.234	5.95	.145	3.68
19131-0040	AA-2118-08X	.234	5.95	.145	3.68
19131-0042	AA-2118-06X	.234	5.95	.145	3.68
19131-0045	AA-2109-04X	.234	5.95	.145	3.68
19131-0047	AA-2109-02X	.234	5.95	.145	3.68
19133-0001	AA-634-04X	.234	5.95	.145	3.68
19133-0002	AA-634-06X	.234	5.95	.145	3.68
19133-0003	AA-634-08X	.234	5.95	.145	3.68
19133-0004	AA-634-10X	.234	5.95	.145	3.68
19137-0002	A-5118-06	.312	7.94	.145	3.68
19137-0003	A-5118-08	.312	7.94	.145	3.68
19137-0004	A-534-04	.312	7.94	.145	3.68
19137-0005	A-534-06	.312	7.94	.145	3.68
19137-0006	A-534-08	.312	7.94	.145	3.68
19137-0007	A-534-10	.312	7.94	.145	3.68
19137-0008	A-538-04	.312	7.94	.145	3.68
19137-0009	A-538-06	.312	7.94	.145	3.68
19137-0010	A-591-06	.312	7.94	.145	3.68
19137-0011	A-591-08	.312	7.94	.145	3.68
19137-0012	A-591-10	.312	7.94	.145	3.68
19137-0013	A-594-06	.312	7.94	.145	3.68
19137-0014	A-594-08	.312	7.94	.145	3.68
19137-0015	A-594-10	.312	7.94	.145	3.68
19137-0016	A-597-04	.312	7.94	.145	3.68
19137-0017	A-597-06	.312	7.94	.145	3.68
19137-0018	A-597-08	.312	7.94	.145	3.68
19139-0001	AA-8109-02	.250	6.35	.143	3.63
19139-0003	AA-8109-04	.250	6.35	.143	3.63
19139-0006	AA-8118-06	.250	6.35	.143	3.63
19139-0008	AA-8118-08	.250	6.35	.143	3.63
19139-0009	AA-834-04	.250	6.35	.140	3.55
19139-0011	AA-834-06	.250	6.35	.140	3.55
19139-0013	AA-834-08	.250	6.35	.140	3.55
19139-0015	AA-834-10	.250	6.35	.140	3.55
19139-0016	AA-838-04	.250	6.35	.140	3.55
19139-0018	AA-838-06	.250	6.35	.140	3.55
19139-0020	AA-891-06	.250	6.35	.140	3.55
19139-0022	AA-891-08	.250	6.35	.140	3.55
19139-0024	AA-891-10	.250	6.35	.140	3.55
19139-0026	AA-894-06	.250	6.35	.140	3.55
19139-0028	AA-894-08	.250	6.35	.140	3.55
19139-0030	A-894-10	.312	7.94	.145	3.68
19139-0030	AA-894-10	.250	6.35	.140	3.55
19139-0032	AA-897-04	.250	6.35	.140	3.55
19139-0034	AA-897-06	.250	6.35	.140	3.55
19139-0036	AA-897-08	.250	6.35	.140	3.55
19142-0003	A-235-06X	.312	7.94	.145	3.68
19142-0005	A-235-08X	.312	7.94	.145	3.68
19142-0007	A-235-10X	.312	7.94	.145	3.68
19142-0010	A-291-06X	.312	7.94	.145	3.68
19142-0011	A-291-08X	.312	7.94	.145	3.68
19142-0012	A-291-10X	.312	7.94	.145	3.68
19142-0013	A-294-06X	.312	7.94	.145	3.68
19142-0014	A-294-08X	.312	7.94	.145	3.68

Wire Size: 18 – 22 AWG 0.80 – 0.35mm <sup>2</sup>					
Terminal No.	Terminal Eng No. (REF)	Wire Strip Length		Insulation Diameter Maximum	
		In	mm	In	mm
19142-0015	A-294-10X	.312	7.94	.145	3.68
19142-0016	A-297-04X	.312	7.94	.145	3.68
19142-0017	A-297-06X	.312	7.94	.145	3.68
19142-0018	A-297-08X	.312	7.94	.145	3.68
19143-0001	A-634-04X	.312	7.94	.145	3.68
19143-0003	A-634-06X	.312	7.94	.145	3.68
19143-0006	A-634-08X	.312	7.94	.145	3.68
19143-0008	A-634-10X	.312	7.94	.145	3.68
19143-0010	A-635-06X	.312	7.94	.145	3.68
19143-0012	A-635-08X	.312	7.94	.145	3.68
19143-0014	A-635-10X	.312	7.94	.145	3.68
19143-0015	A-638-04X	.312	7.94	.145	3.68
19143-0018	A-638-06X	.312	7.94	.145	3.68
19143-0021	A-691-06X	.312	7.94	.145	3.68
19143-0023	A-691-08X	.312	7.94	.145	3.68
19143-0025	A-691-10X	.312	7.94	.145	3.68
19143-0027	A-694-06X	.312	7.94	.145	3.68
19143-0029	A-694-08X	.312	7.94	.145	3.68
19143-0031	A-694-10X	.312	7.94	.145	3.68
19143-0033	A-697-04X	.312	7.94	.145	3.68
19143-0035	A-697-06X	.312	7.94	.145	3.68
19143-0037	A-697-08X	.312	7.94	.145	3.68
19144-0001	AA-235-06X	.234	5.95	.145	3.68
19144-0003	AA-235-08X	.234	5.95	.145	3.68
19144-0005	AA-235-10X	.234	5.95	.145	3.68
19144-0007	AA-291-06X	.234	5.95	.145	3.68
19144-0008	AA-291-08X	.234	5.95	.145	3.68
19144-0009	AA-291-10X	.234	5.95	.145	3.68
19144-0010	AA-297-04X	.234	5.95	.145	3.68
19144-0011	AA-297-06X	.234	5.95	.145	3.68
19144-0012	AA-297-08X	.234	5.95	.145	3.68
19145-0001	AA-6109-02X	.234	5.95	.145	3.68
19145-0003	AA-6109-04X	.234	5.95	.145	3.68
19145-0011	AA-635-06X	.234	5.95	.145	3.68
19145-0013	AA-635-08X	.234	5.95	.145	3.68
19145-0015	AA-635-10X	.234	5.95	.145	3.68
19145-0017	AA-638-04X	.234	5.95	.145	3.68
19145-0019	AA-638-06X	.234	5.95	.145	3.68
19145-0022	AA-691-06X	.234	5.95	.145	3.68
19145-0024	AA-691-08X	.234	5.95	.145	3.68
19145-0026	AA-691-10X	.234	5.95	.145	3.68
19145-0028	AA-694-06X	.234	5.95	.145	3.68
19145-0030	AA-694-08X	.234	5.95	.145	3.68
19145-0032	AA-694-10X	.234	5.95	.145	3.68
19145-0034	AA-697-04X	.234	5.95	.145	3.68
19145-0036	AA-697-06X	.234	5.95	.145	3.68
19145-0038	AA-697-08X	.234	5.95	.145	3.68
19153-0002	AMCT-2NF	.312	7.93		
19154-0002	A-2450V	.312	7.94	.145	3.68
19154-0004	A-245X	.312	7.94	.145	3.68
19154-0005	A-245X-B	.312	7.94	.145	3.68
19154-0009	A-L245X	.281	7.14	.145	3.68
19154-0011	AS-V-345X	.281	7.14	.145	3.68
19164-0009	SA-259	.281	7.14		
19164-0010	SA-269	.281	7.14		
19171-0001	A-210-06X	.312	7.94	.145	3.68
19171-0003	A-210-08X	.312	7.94	.145	3.68
19171-0005	A-210-10X	.312	7.94	.145	3.68
19174-0001	A-510-06	.312	7.94	.145	3.68
19174-0003	A-510-08	.312	7.94	.145	3.68
19174-0005	A-510-10	.312	7.94	.145	3.68
19175-0001	A-610-06X	.312	7.94	.145	3.68
19175-0003	A-610-08X	.312	7.94	.145	3.68



Wire Size: 18 – 22 AWG 0.80 – 0.35mm <sup>2</sup>					
Terminal No.	Terminal Eng No. (REF)	Wire Strip Length		Insulation Diameter Maximum	
		In	mm	In	mm
19175-0005	A-610-10X	.312	7.94	.145	3.68
19179-0002	AA-210-06X	.234	5.95	.145	3.68
19179-0004	AA-210-08X	.234	5.95	.145	3.68
19179-0006	AA-210-10X	.234	5.95	.145	3.68
19182-0001	AA-610-06X	.234	5.95	.145	3.68
19182-0003	AA-610-08X	.234	5.95	.145	3.68
19182-0005	AA-610-10X	.234	5.95	.145	3.68
19183-0001	AA-810-06	.250	6.35	.140	3.55
19183-0003	AA-810-08	.250	6.35	.140	3.55
19183-0005	AA-810-10	.250	6.35	.140	3.55
19196-0005	A-535-06	.312	7.94	.145	3.68
19196-0007	A-535-08	.312	7.94	.145	3.68
19196-0009	A-535-10	.312	7.94	.145	3.68
19197-0002	A-834-08	.312	7.94	.145	3.68
19197-0006	A-835-08	.312	7.94	.145	3.68
19197-0043	A-838-06	.312	7.94	.145	3.68
19198-0004	AA-835-08	.250	6.35	.140	3.55
19198-0006	AA-835-10	.250	6.35	.140	3.55
19198-0070	AA-835-06	.250	6.35	.140	3.55
19199-0013	A-845	.312	7.94	.145	3.68
19200-0002	AS-845	.312	7.94	.140	3.55
19202-0010	AS-932	.312	7.93	.161	4.08
19202-0011	AS-932-DK	.312	7.93	.161	4.08
19202-0013	AS-N-345	.281	7.14	.130	3.30
19202-0062	A-945	.312	7.94	.145	3.68
19202-0063	A-945-DK	.312	7.94	.145	3.68
19204-0003	A-2XCX	.312	7.94		
19204-0004	A-2YCX	.312	7.94		
19204-0008	A-5XC	.312	7.94	.145	3.68
19204-0009	A-5YC	.312	7.94	.145	3.68
19206-0002	AS-V-302X	.281	7.14	.150	3.81
19207-0002	AS-N-302	.281	7.14		
19212-0003	WP-2218X	.187	4.76	.145	3.68
19213-0003	WP-5218	.187	4.76	.140	3.55
19213-0009	WP-8218	.187	4.76	.140	3.55

MILITARY CLASS 2 Wire Size: 18 – 22 AWG 0.80 – 0.35mm <sup>2</sup>					
Terminal No.	Terminal Eng No. (REF)	Wire Strip Length		Insulation Diameter Maximum.	
		In	mm	In	mm
19095-0022	AA-880-1	.250	6.35	.140	3.57
19095-0024	AA-881-1	.250	6.35	.140	3.57
19095-0026	AA-882-1	.250	6.35	.140	3.57
19095-0028	AA-883-1	.250	6.35	.140	3.57
19095-0030	AA-884-1	.250	6.35	.140	3.57
19095-0032	AA-885-1	.250	6.35	.140	3.57
19095-0034	AA-886-1	.250	6.35	.140	3.57

Wire Size: 14 – 16 AWG 2.00 – 1.30mm <sup>2</sup>					
Terminal No.	Terminal Eng No. (REF)	Wire Strip Length		Insulation Diameter Maximum	
		In	mm	In	mm
19023-0012	MCT-2X	.312	7.93	.175	4.44
19023-0016	MMCT-2X	.234	5.95		
19025-0007	MCT-5	.312	7.93	.170	4.31
19025-0008	MCT-57	.312	7.93	.170	4.31
19025-0028	MMCT-5	.234	5.95		
19026-0006	MCT-8	.312	7.93		
19026-0008	MMCT-8	.234	5.95		
19034-0004	B-789	.250	6.35		
19034-0007	B-279X	.312	7.94	.175	4.44
19034-0009	B-289X	.312	7.94		
19035-0005	B-579	.312	7.94	.170	4.31

Wire Size: 14 – 16 AWG 2.00 – 1.30mm <sup>2</sup>					
Terminal No.	Terminal Eng No. (REF)	Wire Strip Length		Insulation Diameter Maximum	
		In	mm	In	mm
19035-0006	B-579B	.312	7.94	.170	4.31
19035-0009	B-589	.312	7.94	.170	4.31
19035-0010	B-589B	.312	7.94	.170	4.31
19036-0006	B-879	.312	7.94	.170	4.31
19036-0008	B-889	.312	7.94	.170	4.31
19054-0063	B-201-12HDX	.312	7.94		
19054-0066	B-201-38HDX	.312	7.94		
19054-0070	B-201-76HDX	.312	7.94		
19054-0072	B-218-10X	.312	7.94	.175	4.44
19054-0073	B-218-14X	.312	7.94	.175	4.44
19054-0075	B-218-38X	.312	7.94	.175	4.44
19054-0077	B-218-56X	.312	7.94	.175	4.44
19054-0079	B-223-02X	.312	7.94	.175	4.44
19054-0080	B-223-04X	.312	7.94	.175	4.44
19054-0081	B-223-06X	.312	7.94	.175	4.44
19054-0083	B-223-08X	.312	7.94	.175	4.44
19054-0085	B-225-10X	.312	7.94	.175	4.44
19054-0086	B-225-14X	.312	7.94	.175	4.44
19054-0088	B-225-56X	.312	7.94	.175	4.44
19054-0090	B-228-06HDX	.312	7.94		
19054-0092	B-228-08HDX	.312	7.94		
19054-0094	B-228-10HDX	.312	7.94		
19054-0096	B-230-10HDX	.312	7.94		
19054-0097	B-230-14HDX	.312	7.94		
19054-0098	B-230-56HDX	.312	7.94		
19054-0107	B-237-04X	.312	7.94	.175	4.44
19054-0108	B-237-06X	.312	7.94	.175	4.44
19054-0110	B-237-08X	.312	7.94	.175	4.44
19054-0111	B-237-08XR90	.312	7.94	.175	4.44
19054-0113	B-237-10X	.312	7.94	.175	4.44
19054-0114	B-237-10XR90	.312	7.94	.175	4.44
19054-0116	B-239-04X	.312	7.94	.175	4.44
19054-0117	B-239-06X	.312	7.94	.175	4.44
19054-0118	B-239-08X	.312	7.94	.175	4.44
19054-0119	B-239-10X	.312	7.94	.175	4.44
19054-0126	B-240-38HDX	.312	7.94		
19055-0046	B-618-10X	.312	7.94	.175	4.44
19055-0048	B-618-14X	.312	7.94	.175	4.44
19055-0050	B-618-38X	.312	7.94	.175	4.44
19055-0052	B-618-56X	.312	7.94	.175	4.44
19055-0054	B-623-02X	.312	7.94	.175	4.44
19055-0056	B-623-04X	.312	7.94	.175	4.44
19055-0059	B-623-06X	.312	7.94	.175	4.44
19055-0061	B-623-08X	.312	7.94	.175	4.44
19055-0063	B-625-10X	.312	7.94	.175	4.44
19055-0066	B-625-14X	.312	7.94	.175	4.44
19055-0068	B-625-56X	.312	7.94	.175	4.44
19055-0082	B-630-56HDX	.312	7.94	.250	6.35
19055-0095	B-637-04X	.312	7.94	.175	4.44
19055-0097	B-637-06X	.312	7.94	.175	4.44
19055-0100	B-637-08X	.312	7.94	.175	4.44
19055-0103	B-637-10X	.312	7.94	.175	4.44
19055-0105	B-639-04X	.312	7.94	.175	4.44
19055-0107	B-639-06X	.312	7.94	.175	4.44
19055-0109	B-639-08X	.312	7.94	.175	4.44
19055-0111	B-639-10X	.312	7.94	.175	4.44
19057-0042	B-518-10	.312	7.94	.170	4.31
19057-0044	B-518-14	.312	7.94	.170	4.31
19057-0046	B-518-38	.312	7.94	.170	4.31
19057-0048	B-518-56	.312	7.94	.170	4.31
19057-0050	B-523-02	.312	7.94	.170	4.31
19057-0052	B-523-04	.312	7.94	.170	4.31
19057-0054	B-523-06	.312	7.94	.170	4.31

Wire Size: 14 – 16 AWG 2.00 – 1.30mm <sup>2</sup>					
Terminal No.	Terminal Eng No. (REF)	Wire Strip Length		Insulation Diameter Maximum	
		In	mm	In	mm
19057-0056	B-523-08	.312	7.94	.170	4.31
19057-0058	B-525-10	.312	7.94	.170	4.31
19057-0060	B-525-14	.312	7.94	.170	4.31
19057-0062	B-525-56	.312	7.94	.170	4.31
19057-0086	B-537-04	.312	7.94	.170	4.31
19057-0088	B-537-06	.312	7.94	.170	4.31
19057-0090	B-537-08	.312	7.94	.170	4.31
19057-0093	B-537-10	.312	7.94	.170	4.31
19057-0096	B-539-04	.312	7.94	.170	4.31
19057-0098	B-539-06	.312	7.94	.170	4.31
19057-0100	B-539-08	.312	7.94	.170	4.31
19057-0102	B-539-10	.312	7.94	.170	4.31
19058-0058	B-830-10HDRR	.312	7.94		
19058-0064	B-830-14HD-03	.312	7.94		
19058-0066	B-830-14HDRR	.312	7.94		
19058-0073	B-830-56HD-03	.312	7.94		
19058-0075	B-830-56HDRR	.312	7.94		
19058-0104	B-839-06	.312	7.94	.170	4.31
19058-0155	TT-1614HD	.375	9.53		
19058-0200	B-823-08	.312	7.94	.170	4.31
19070-0054	BB-218-10X	.234	5.95	.175	4.41
19070-0057	BB-218-14X	.234	5.95	.175	4.41
19070-0059	BB-218-38X	.234	5.95	.175	4.41
19070-0063	BB-218-56X	.234	5.95	.175	4.41
19070-0065	BB-223-02X	.234	5.95	.175	4.41
19070-0067	BB-223-04X	.234	5.95	.175	4.41
19070-0069	BB-223-06X	.234	5.95	.175	4.41
19070-0071	BB-223-08X	.234	5.95	.175	4.41
19070-0073	BB-225-10X	.234	5.95	.175	4.41
19070-0075	BB-225-14X	.234	5.95	.175	4.41
19070-0078	BB-225-56X	.234	5.95	.175	4.41
19070-0081	BB-237-04X	.234	5.95	.175	4.41
19070-0083	BB-237-06X	.234	5.95	.175	4.41
19070-0086	BB-237-08X	.234	5.95	.175	4.41
19070-0090	BB-237-10X	.234	5.95	.175	4.44
19070-0095	BB-239-04X	.234	5.95	.175	4.44
19070-0097	BB-239-06X	.234	5.95	.175	4.44
19070-0099	BB-239-08X	.234	5.95	.175	4.44
19070-0102	BB-239-10X	.234	5.95	.175	4.44
19070-0397	BB-237-10XR90	.234	5.95	.175	4.44
19071-0042	BB-618-10X	.234	5.95	.175	4.44
19071-0044	BB-618-14X	.234	5.95	.175	4.44
19071-0046	BB-618-38X	.234	5.95	.175	4.44
19071-0049	BB-618-56X	.234	5.95	.175	4.44
19071-0051	BB-623-02X	.234	5.95	.175	4.44
19071-0053	BB-623-04X	.234	5.95	.175	4.44
19071-0055	BB-623-06X	.234	5.95	.175	4.44
19071-0057	BB-623-08X	.234	5.95	.175	4.44
19071-0060	BB-625-10X	.234	5.95	.175	4.44
19071-0062	BB-625-14X	.234	5.95	.175	4.44
19071-0064	BB-625-56X	.234	5.95	.175	4.44
19071-0066	BB-637-04X	.234	5.95	.175	4.44
19071-0068	BB-637-06X	.234	5.95	.175	4.44
19071-0070	BB-637-08X	.234	5.95	.175	4.44
19071-0072	BB-637-10X	.234	5.95	.175	4.44
19071-0075	BB-639-04X	.234	5.95	.175	4.44
19071-0077	BB-639-06X	.234	5.95	.175	4.44
19071-0079	BB-639-08X	.234	5.95	.175	4.44
19071-0081	BB-639-10X	.234	5.95	.175	4.44
19073-0059	BB-818-38	.250	6.35	.170	4.31
19073-0061	BB-818-56	.250	6.35	.170	4.31
19073-0063	BB-823-02	.250	6.35	.170	4.31
19073-0065	BB-823-04	.250	6.35	.170	4.31

Wire Size: 14 – 16 AWG 2.00 – 1.30mm <sup>2</sup>					
Terminal No.	Terminal Eng No. (REF)	Wire Strip Length		Insulation Diameter Maximum	
		In	mm	In	mm
19073-0067	BB-823-06	.250	6.35	.170	4.31
19073-0072	BB-823-08	.250	6.35	.170	4.31
19073-0074	BB-825-10	.250	6.35	.170	4.31
19073-0076	BB-825-14	.250	6.35	.170	4.31
19073-0079	BB-825-56	.250	6.35	.170	4.31
19073-0081	BB-837-04	.250	6.35	.170	4.31
19073-0083	BB-837-06	.250	6.35	.170	4.31
19073-0085	BB-837-08	.250	6.35	.170	4.31
19073-0087	BB-837-10	.250	6.35	.170	4.31
19073-0094	BB-839-08	.250	6.35	.170	4.31
19073-0097	BB-839-10	.250	6.35	.170	4.31
19073-0301	BB-818-14	.250	6.35	.170	4.31
19080-0003	B-2006-MSX	.312	7.94	.170	4.31
19081-0003	B-5006-MS	.312	7.94		
19089-0021	B-208-04X	.312	7.94	.175	4.44
19089-0022	B-208-06X	.312	7.94	.175	4.44
19089-0025	B-209-06X	.312	7.94	.175	4.44
19089-0026	B-209-08X	.312	7.94	.175	4.44
19089-0027	B-209-10X	.312	7.94	.175	4.44
19089-0028	B-213-04X	.312	7.94	.175	4.44
19089-0029	B-213-06X	.312	7.94	.175	4.44
19089-0030	B-213-08X	.312	7.94	.175	4.44
19089-0035	B-282-06X	.312	7.94	.175	4.44
19089-0036	B-282-08X	.312	7.94	.175	4.44
19089-0037	B-282-10X	.312	7.94	.175	4.44
19089-0038	B-285-06X	.312	7.94	.175	4.44
19089-0039	B-285-08X	.312	7.94	.175	4.44
19089-0040	B-285-10X	.312	7.94	.175	4.44
19089-0041	B-288-04X	.312	7.94	.175	4.44
19089-0042	B-288-06X	.312	7.94	.175	4.44
19089-0043	B-288-08X	.312	7.94	.175	4.44
19089-0044	B-288-10X	.312	7.94	.175	4.44
19090-0044	BB-213-04X	.234	5.95	.175	4.41
19090-0046	BB-213-06X	.234	5.95	.175	4.41
19090-0048	BB-213-08X	.234	5.95	.175	4.41
19090-0052	BB-282-06X	.234	5.95	.175	4.44
19090-0054	BB-282-08X	.234	5.95	.175	4.44
19090-0056	BB-282-10X	.234	5.95	.175	4.44
19090-0060	BB-288-04X	.234	5.95	.175	4.44
19090-0061	BB-285-06X	.234	5.95	.175	4.44
19090-0063	BB-285-08X	.234	5.95	.175	4.44
19090-0065	BB-285-10X	.234	5.95	.175	4.44
19090-0071	BB-288-06X	.234	5.95	.175	4.44
19090-0073	BB-288-08X	.234	5.95	.175	4.44
19090-0075	BB-288-10X	.234	5.95	.175	4.44
19091-0038	B-608-04X	.312	7.94	.175	4.44
19091-0040	B-608-06X	.312	7.94	.175	4.44
19091-0044	B-609-06X	.312	7.94	.175	4.44
19091-0046	B-609-08X	.312	7.94	.175	4.44
19091-0048	B-609-10X	.312	7.94	.175	4.44
19091-0050	B-613-04X	.312	7.94	.175	4.44
19091-0052	B-613-06X	.312	7.94	.175	4.44
19091-0054	B-613-08X	.312	7.94	.175	4.44
19091-0060	B-682-06X	.312	7.94	.175	4.44
19091-0062	B-682-08X	.312	7.94	.175	4.44
19091-0062	B-682-10X	.312	7.94	.175	4.44
19091-0067	B-685-06X	.312	7.94	.175	4.44
19091-0069	B-685-08X	.312	7.94	.175	4.44
19091-0071	B-685-10X	.312	7.94	.175	4.44
19091-0073	B-688-04X	.312	7.94	.175	4.44
19091-0075	B-688-06X	.312	7.94	.175	4.44
19091-0077	B-688-08X	.312	7.94	.175	4.44
19091-0079	B-688-10X	.312	7.94	.175	4.44



Wire Size: 14 – 16 AWG 2.00 – 1.30mm <sup>2</sup>					
Terminal No.	Terminal Eng No. (REF)	Wire Strip Length		Insulation Diameter Maximum	
		In	mm	In	mm
19092-0039	B-508-04	.312	7.94	.170	4.31
19092-0041	B-508-06	.312	7.94	.170	4.31
19092-0043	B-509-06	.312	7.94	.170	4.31
19092-0045	B-509-08	.312	7.94	.170	4.31
19092-0047	B-509-10	.312	7.94	.170	4.31
19092-0049	B-513-04	.312	7.94	.170	4.31
19092-0051	B-513-06	.312	7.94	.170	4.31
19092-0053	B-513-08	.312	7.94	.170	4.31
19092-0055	B-582-06	.312	7.94	.170	4.31
19092-0057	B-582-08	.312	7.94	.170	4.31
19092-0059	B-582-10	.312	7.94	.170	4.31
19092-0061	B-585-06	.312	7.94	.170	4.31
19092-0063	B-585-08	.312	7.94	.170	4.31
19092-0065	B-585-10	.312	7.94	.170	4.31
19092-0067	B-588-04	.234	5.95	.175	4.44
19092-0069	B-588-06	.234	5.95	.175	4.44
19092-0071	B-588-08	.234	5.95	.175	4.44
19092-0073	B-588-10	.234	5.95	.175	4.44
19092-0075	BB-2193-06X	.234	5.95	.175	4.44
19092-0077	BB-2194-08X	.234	5.95	.175	4.44
19092-0079	BB-2195-10X	.234	5.95	.175	4.44
19092-0081	BB-2707-05X	.234	5.95	.175	4.44
19092-0083	BB-2707-06X	.234	5.95	.175	4.44
19092-0085	BB-2716-08X	.234	5.95	.175	4.44
19092-0087	BB-2717-10X	.234	5.95	.175	4.44
19092-0089	BB-8193-06	.250	6.35	.175	4.44
19092-0091	BB-8194-08	.250	6.35	.175	4.44
19092-0093	BB-8195-10	.250	6.35	.175	4.44
19092-0095	BB-8707-05	.250	6.35	.175	4.44
19092-0097	BB-8707-06	.250	6.35	.175	4.44
19092-0099	BB-8717-10	.250	6.35	.175	4.44
19092-0101	BB-8716-08	.250	6.35	.175	4.44
19092-0103	B-216-04X	.312	7.94	.175	4.44

Wire Size: 14 – 16 AWG 2.00 – 1.30mm <sup>2</sup>					
Terminal No.	Terminal Eng No. (REF)	Wire Strip Length		Insulation Diameter Maximum	
		In	mm	In	mm
19119-0026	B-216-06X	.312	7.94	.175	4.44
19119-0029	B-216-08X	.312	7.94	.175	4.44
19119-0032	B-216-10X	.312	7.94	.175	4.44
19119-0041	B-280-06X	.312	7.94	.175	4.44
19119-0042	B-280-08X	.312	7.94	.175	4.44
19119-0043	B-280-10X	.312	7.94	.175	4.44
19119-0044	B-283-06X	.312	7.94	.175	4.44
19119-0045	B-283-08X	.312	7.94	.175	4.44
19119-0046	B-283-10X	.312	7.94	.175	4.44
19119-0047	B-286-04X	.312	7.94	.175	4.44
19119-0048	B-286-06X	.312	7.94	.175	4.44
19119-0049	B-286-08X	.312	7.94	.175	4.44
19120-0033	B-616-04X	.312	7.94	.175	4.44
19120-0035	B-616-06X	.312	7.94	.175	4.44
19120-0037	B-616-08X	.312	7.94	.175	4.44
19120-0039	B-616-10X	.312	7.94	.175	4.44
19120-0051	B-680-06X	.312	7.94	.175	4.44
19120-0053	B-680-08X	.312	7.94	.175	4.44
19120-0055	B-680-10X	.312	7.94	.175	4.44
19120-0057	B-683-06X	.312	7.94	.175	4.44
19120-0059	B-683-08X	.312	7.94	.175	4.44
19120-0061	B-683-10X	.312	7.94	.175	4.44
19120-0063	B-686-04X	.312	7.94	.175	4.44
19120-0065	B-686-06X	.312	7.94	.175	4.44
19120-0067	B-686-08X	.312	7.94	.175	4.44
19121-0025	BB-216-04X	.234	5.95	.175	4.41
19121-0026	BB-216-06X	.234	5.95	.175	4.41
19121-0028	BB-216-08X	.234	5.95	.175	4.41
19121-0030	BB-216-10X	.234	5.95	.175	4.41
19121-0032	BB-2491-06X	.234	5.95	.175	4.44
19121-0033	BB-2491-08X	.234	5.95	.175	4.44
19121-0034	BB-2491-10X	.234	5.95	.175	4.44
19121-0035	BB-280-06X	.234	5.95	.175	4.44
19121-0036	BB-280-08X	.234	5.95	.175	4.44
19121-0037	BB-280-10X	.234	5.95	.175	4.44
19121-0038	BB-283-06X	.234	5.95	.175	4.44
19121-0039	BB-283-08X	.234	5.95	.175	4.44
19121-0040	BB-283-10X	.234	5.95	.175	4.44
19121-0042	BB-286-04X	.234	5.95	.175	4.44
19121-0043	BB-286-06X	.234	5.95	.175	4.44
19121-0044	BB-286-08X	.234	5.95	.175	4.44
19122-0029	BB-616-04X	.234	5.95	.175	4.44
19122-0031	BB-616-06X	.234	5.95	.175	4.44
19122-0033	BB-616-08X	.234	5.95	.175	4.44
19122-0036	BB-680-06X	.234	5.95	.175	4.44
19122-0038	BB-680-08X	.234	5.95	.175	4.44
19122-0040	BB-680-10X	.234	5.95	.175	4.44
19122-0042	BB-683-06X	.234	5.95	.175	4.44
19122-0044	BB-683-08X	.234	5.95	.175	4.44
19122-0046	BB-683-10X	.234	5.95	.175	4.44
19122-0048	BB-686-04X	.234	5.95	.175	4.44
19122-0050	BB-686-06X	.234	5.95	.175	4.44
19122-0052	BB-686-08X	.234	5.95	.175	4.44
19125-0031	B-516-04	.312	7.94	.170	4.31
19125-0033	B-516-06	.312	7.94	.170	4.31
19125-0035	B-516-08	.312	7.94	.170	4.31
19125-0037	B-516-10	.312	7.94	.170	4.31
19125-0046	B-5491-06	.312	7.94	.170	4.31
19125-0047	B-5491-08	.312	7.94	.170	4.31
19125-0048	B-5491-10	.312	7.94	.170	4.31
19125-0049	B-580-06	.312	7.94	.170	4.31
19125-0051	B-580-08	.312	7.94	.170	4.31
19125-0053	B-580-10	.312	7.94	.170	4.31

Wire Size: 14 – 16 AWG 2.00 – 1.30mm <sup>2</sup>					
Terminal No.	Terminal Eng No. (REF)	Wire Strip Length		Insulation Diameter Maximum	
		In	mm	In	mm
19125-0055	B-583-06	.312	7.94	.170	4.31
19125-0057	B-583-08	.312	7.94	.170	4.31
19125-0059	B-583-10	.312	7.94	.170	4.31
19125-0061	B-586-04	.312	7.94	.170	4.31
19125-0063	B-586-06	.312	7.94	.170	4.31
19125-0065	B-586-08	.312	7.94	.170	4.31
19126-0005	B-816-06	.312	7.94	.170	4.31
19126-0007	B-816-10	.312	7.94	.170	4.31
19126-0023	B-816-08	.312	7.94	.170	4.31
19127-0037	BB-816-04	.250	6.35	.170	4.31
19127-0039	BB-816-06	.250	6.35	.170	4.31
19127-0042	BB-816-08	.250	6.35	.170	4.31
19127-0046	BB-8491-06	.250	6.35	.170	4.31
19127-0048	BB-8491-08	.250	6.35	.170	4.31
19127-0050	BB-8491-10	.250	6.35	.170	4.31
19127-0052	BB-880-06	.250	6.35	.170	4.31
19127-0054	BB-880-08	.250	6.35	.170	4.31
19127-0056	BB-880-10	.250	6.35	.170	4.31
19127-0058	BB-883-06	.250	6.35	.170	4.31
19127-0060	BB-883-08	.250	6.35	.170	4.31
19127-0065	BB-886-04	.250	6.35	.170	4.31
19127-0099	BB-816-10	.250	6.35	.170	4.31
19130-0010	B-2471-04X	.312	7.94	.175	4.44
19130-0011	B-2471-06X	.312	7.94	.175	4.44
19130-0038	B-2491-06X	.312	7.94	.175	4.44
19130-0039	B-2491-08X	.312	7.94	.175	4.44
19130-0040	B-2491-10X	.312	7.94	.175	4.44
19130-0044	B-2781-06X	.312	7.94	.175	4.44
19130-0045	B-2781-08X	.312	7.94	.175	4.44
19130-0046	B-2781-10X	.312	7.94	.175	4.44
19131-0007	BB-287-08X	.234	5.95	.175	4.44
19131-0009	BB-287-06X	.234	5.95	.175	4.44
19131-0011	BB-287-04X	.234	5.95	.175	4.44
19131-0013	BB-284-10X	.234	5.95	.175	4.44
19131-0014	BB-2781-10X	.234	5.95	.175	4.44
19131-0015	BB-284-08X	.234	5.95	.175	4.44
19131-0017	BB-284-06X	.234	5.95	.175	4.44
19131-0018	BB-2781-08X	.234	5.95	.175	4.44
19131-0020	BB-2781-06X	.234	5.95	.175	4.44
19131-0021	BB-2781-04X	.234	5.95	.175	4.44
19131-0023	BB-2471-06X	.234	5.95	.175	4.44
19131-0025	BB-2471-04X	.234	5.95	.175	4.44
19137-0019	B-5471-04	.312	7.94	.170	4.31
19137-0020	B-5471-06	.312	7.94	.170	4.31
19137-0021	B-5781-04	.312	7.94	.170	4.31
19137-0022	B-5781-06	.312	7.94	.170	4.31
19137-0023	B-5781-08	.312	7.94	.170	4.31
19137-0024	B-5781-10	.312	7.94	.170	4.31
19137-0025	B-581-06	.312	7.94	.170	4.31
19137-0026	B-581-08	.312	7.94	.170	4.31
19137-0027	B-581-10	.312	7.94	.170	4.31
19137-0028	B-584-06	.312	7.94	.170	4.31
19137-0029	B-584-08	.312	7.94	.170	4.31
19137-0030	B-584-10	.312	7.94	.170	4.31
19137-0031	B-587-04	.312	7.94	.170	4.31
19137-0032	B-587-06	.312	7.94	.170	4.31
19137-0033	B-587-08	.312	7.94	.170	4.31
191380001	B-8781-06	.312	7.94	.170	4.31
191380003	B-8781-10	.312	7.94	.170	4.31
19139-0038	BB-8471-04	.250	6.35	.170	4.31
19139-0039	BB-8471-06	.250	6.35	.170	4.31
19139-0041	BB-8781-04	.250	6.35	.175	4.44
19139-0042	BB-8781-06	.250	6.35	.175	4.44

Wire Size: 14 – 16 AWG 2.00 – 1.30mm <sup>2</sup>					
Terminal No.	Terminal Eng No. (REF)	Wire Strip Length		Insulation Diameter Maximum	
		In	mm	In	mm
19139-0044	BB-8781-08	.250	6.35	.175	4.44
19139-0045	BB-8781-10	.250	6.35	.175	4.44
19142-0019	B-207-04X	.312	7.94	.175	4.44
19142-0020	B-207-06X	.312	7.94	.175	4.44
19142-0022	B-224-04X	.312	7.94	.175	4.44
19142-0024	B-224-06X	.312	7.94	.175	4.44
19142-0027	B-224-08X	.312	7.94	.175	4.44
19142-0029	B-227-06X	.312	7.94	.175	4.44
19142-0030	B-227-08X	.312	7.94	.175	4.44
19142-0032	B-227-10X	.312	7.94	.175	4.44
*19142-0036	B-241-10HDX	.312	7.94		
*19142-0040	B-268-14HDX	.312	7.94		
19142-0047	B-281-06X	.312	7.94	.175	4.44
19142-0048	B-281-08X	.312	7.94	.175	4.44
19142-0049	B-281-10X	.312	7.94	.175	4.44
19142-0050	B-284-06X	.312	7.94	.175	4.44
19142-0051	B-284-08X	.312	7.94	.175	4.44
19142-0052	B-284-10X	.312	7.94	.175	4.44
19142-0053	B-287-04X	.312	7.94	.175	4.44
19142-0054	B-287-06X	.312	7.94	.175	4.44
19142-0055	B-287-08X	.312	7.94	.175	4.44
19143-0039	B-607-04X	.312	7.94	.175	4.44
19143-0042	B-607-06X	.312	7.94	.175	4.44
19143-0045	B-624-04X	.312	7.94	.175	4.44
19143-0047	B-624-06X	.312	7.94	.175	4.44
19143-0050	B-624-08X	.312	7.94	.175	4.44
19143-0052	B-627-06X	.312	7.94	.175	4.44
19143-0054	B-627-08X	.312	7.94	.175	4.44
19143-0057	B-627-10X	.312	7.94	.175	4.44
19143-0071	B-6781-06X	.312	7.94	.175	4.44
19143-0072	B-6781-08X	.312	7.94	.175	4.44
19143-0073	B-6781-10X	.312	7.94	.175	4.44
19143-0074	B-681-06X	.312	7.94	.175	4.44
19143-0076	B-681-08X	.312	7.94	.175	4.44
19143-0078	B-681-10X	.312	7.94	.175	4.44
19143-0080	B-684-06X	.312	7.94	.175	4.44
19143-0082	B-684-08X	.312	7.94	.175	4.44
19143-0084	B-684-10X	.312	7.94	.175	4.44
19143-0086	B-687-04X	.312	7.94	.175	4.44
19143-0088	B-687-06X	.312	7.94	.175	4.44
19143-0090	B-687-08X	.312	7.94	.175	4.44
19144-0013	BB-207-04X	.234	5.95	.175	4.41
19144-0015	BB-207-06X	.234	5.95	.175	4.41
19144-0017	BB-224-04X	.234	5.95		
19144-0018	BB-224-06X	.234	5.95		
19144-0020	BB-224-08X	.234	5.95		
19144-0022	BB-227-06X	.234	5.95		
19144-0024	BB-227-08X	.234	5.95		
19144-0026	BB-227-10X	.234	5.95		
19144-0028	BB-281-06X	.234	5.95	.175	4.44
19144-0029	BB-281-08X	.234	5.95	.175	4.44
19144-0030	BB-281-10X	.234	5.95	.175	4.44
19145-0040	BB-607-04X	.234	5.95	.175	4.44
19145-0042	BB-607-06X	.234	5.95	.175	4.44
19145-0044	BB-624-04X	.234	5.95	.175	4.44
19145-0046	BB-624-06X	.234	5.95	.175	4.44
19145-0048	BB-624-08X	.234	5.95	.175	4.44
19145-0050	BB-627-06X	.234	5.95	.175	4.44
19145-0052	BB-627-08X	.234	5.95	.175	4.44
19145-0054	BB-627-10X	.234	5.95	.175	4.44
19145-0056	BB-681-06X	.234	5.95	.175	4.44
19145-0058	BB-681-08X	.234	5.95	.175	4.44

\*Note: Use yellow nest on 14-16 AWG heavy duty "HD" parts

Wire Size: 14 – 16 AWG 2.00 – 1.30mm <sup>2</sup>					
Terminal No.	Terminal Eng No. (REF)	Wire Strip Length		Insulation Diameter Maximum	
		In	mm	In	mm
19145-0060	BB-681-10X	.234	5.95	.175	4.44
19145-0062	BB-684-06X	.234	5.95	.175	4.44
19145-0064	BB-684-08X	.234	5.95	.175	4.44
19145-0066	BB-684-10X	.234	5.95	.175	4.44
19145-0068	BB-687-04X	.234	5.95	.175	4.44
19145-0070	BB-687-06X	.234	5.95	.175	4.44
19145-0072	BB-687-08X	.234	5.95	.175	4.44
19153-0005	MCT-2NF	.312	7.93		
19154-0013	B-2310V	.234	5.95	.175	4.44
19154-0015	B-231X	.234	5.95	.175	4.44
19154-0016	B-231X-B	.234	5.95	.175	4.44
19154-0020	B-L231X	.281	7.14		
19154-0023	BS-V-331X	.281	7.14		
19164-0040	SB-289	.281	7.14		
19171-0007	B-219-06X	.312	7.94	.175	4.44
19171-0009	B-219-08X	.312	7.94	.175	4.44
19171-0012	B-219-10X	.312	7.94	.175	4.44
19174-0007	B-519-06	.312	7.94	.170	4.31
19174-0009	B-519-08	.312	7.94	.170	4.31
19174-0011	B-519-10	.312	7.94	.170	4.31
19175-0007	B-619-06X	.312	7.94	.175	4.44
19175-0009	B-619-08X	.312	7.94	.175	4.44
19175-0011	B-619-10X	.312	7.94	.175	4.44
191760003	B-819-06	.312	7.94	.170	4.31
19179-0008	BB-219-06X	.234	5.95	.175	4.41
19179-0010	BB-219-08X	.234	5.95	.175	4.41
19179-0012	BB-219-10X	.234	5.95	.175	4.41
19182-0007	BB-619-06X	.234	5.95	.175	4.44
19182-0009	BB-619-08X	.234	5.95	.175	4.44
19182-0011	BB-619-10X	.234	5.95	.175	4.44
19183-0007	BB-819-06	.250	6.35	.170	4.31
19183-0009	BB-819-08	.250	6.35	.170	4.31
19183-0011	BB-819-10	.250	6.35	.170	4.31
19196-0024	B-507-04	.312	7.94	.170	4.31
19196-0026	B-507-06	.312	7.94	.170	4.31
19196-0030	B-524-04	.312	7.94	.170	4.31
19196-0032	B-524-06	.312	7.94	.170	4.31
19196-0034	B-524-08	.312	7.94	.170	4.31
19196-0037	B-527-06	.312	7.94	.170	4.31
19196-0039	B-527-08	.312	7.94	.170	4.31
19196-0041	B-527-10	.312	7.94	.170	4.31
191970037	B-824-08	.312	7.94	.170	4.31
191970042	B-807-06	.312	7.94	.170	4.31
19198-0010	BB-807-04	.250	6.35	.170	4.31
19198-0012	BB-807-06	.250	6.35	.170	4.31
19198-0014	BB-824-04	.250	6.35		
19198-0016	BB-824-06	.250	6.35	.225	5.71
19198-0019	BB-824-08	.250	6.35	.225	5.71
19198-0021	BB-827-06	.250	6.35	.170	4.31
19198-0023	BB-827-08	.250	6.35	.170	4.31
19198-0025	BB-827-10	.250	6.35	.170	4.31
19198-0028	BB-881-06	.250	6.35	.170	4.31
19198-0029	BB-881-08	.250	6.35	.170	4.31
19198-0030	BB-881-10	.250	6.35	.170	4.31
19198-0031	BB-884-06	.250	6.35	.170	4.31
19198-0032	BB-884-08	.250	6.35	.170	4.31
19198-0033	BB-884-10	.250	6.35	.170	4.31
19198-0034	BB-887-04	.250	6.35	.170	4.31
19199-0003	B-831	.312	7.94	.170	4.31
19200-0001	BS-831	.312	7.93	.169	4.29
19202-0018	B-931	.312	7.94		
19202-0019	B-931-DK	.312	7.94		
19202-0026	BS-942	.312	7.93	.199	5.05

Wire Size: 14 – 16 AWG 2.00 – 1.30mm <sup>2</sup>					
Terminal No.	Terminal Eng No. (REF)	Wire Strip Length		Insulation Diameter Maximum	
		In	mm	In	mm
19202-0027	BS-942-DK	.312	7.93	.199	5.05
19202-0031	BS-N-331	.281	7.14		
19204-0013	B-2XCX	.312	7.94		
19204-0014	B-2YCX	.312	7.94		
19204-0017	B-5XC	.312	7.94		
19204-0018	B-5YC	.312	7.94		
19206-0003	B-204OV	.281	7.14		
19206-0004	B-204X	.281	7.14	.175	4.44
19206-0005	BS-V-304X	.281	7.14		
19207-0004	BS-N-304	.281	7.14		
19212-0005	WP-2614X	.187	4.76	.175	4.44
19213-0005	WP-5614	.187	4.76	.170	4.31
19213-0011	WP-8614	.187	4.76	.170	4.31

**STEP DOWN BUTT SPLICE**  
 Wire Size: 14 – 16 AWG 2.00 – 1.30mm<sup>2</sup>  
 to 18 - 22 AWG .080-0.35mm<sup>2</sup>  
**NOTE: Crimp both ends of splice in 14-16 AWG (blue) nest.**

Terminal No.	Terminal Eng No. (REF)	Wire Strip Length		Insulation Diameter Maximum	
		In	mm	In	mm
19154-0022	BA-631X	.281	7.14	.175	4.45

**MILITARY CLASS 2**  
 Wire Size: 14 – 16 AWG 2.00 – 1.30 mm<sup>2</sup>

Terminal No.	Terminal Eng No. (REF)	Wire Strip Length		Insulation Diameter Maximum	
		In	mm	In	mm
19095-0074	BB-882-2	.250	6.35	0.17	4.36
19095-0076	BB-883-2	.250	6.35	0.17	4.36
19095-0133	BB-880-2	.250	6.35	0.17	4.36
19095-0134	BB-881-2	.250	6.35	0.17	4.36
19095-0136	BB-884-2	.250	6.35	0.17	4.36
19095-0137	BB-885-2	.250	6.35	0.17	4.36
19095-0139	BB-886-2	.250	6.35	0.17	4.36

Wire Size: 10 – 12 AWG 5.00 – 3.00mm<sup>2</sup>

Terminal No.	Terminal Eng No. (REF)	Wire Strip Length		Insulation Diameter Maximum	
		In	mm	In	mm
19058-0154	TT-1210	.375	9.53		
19070-0109	C-201-12X	.375	9.53	.250	6.35
19070-0111	C-201-14X	.375	9.53	.250	6.35
19070-0112	C-201-38X	.375	9.53	.250	6.35
19070-0114	C-201-56X	.375	9.53	.250	6.35
19070-0115	C-201-76X	.375	9.53	.250	6.35
19070-0117	C-228-04X	.375	9.53	.250	6.35
19070-0119	C-228-06X	.375	9.53	.250	6.35
19070-0121	C-228-08X	.375	9.53	.250	6.35
19070-0123	C-228-10X	.375	9.53	.250	6.35
19070-0126	C-228-10XT45	.375	9.53	.250	6.35
19070-0130	C-230-10X	.375	9.53	.250	6.35
19070-0132	C-230-14X	.375	9.53	.250	6.35
19070-0134	C-230-38X	.375	9.53	.250	6.35
19070-0136	C-230-56X	.375	9.53	.250	6.35
19070-0141	C-236-04X	.375	9.53	.250	6.35
19070-0143	C-236-06X	.375	9.53	.250	6.35
19070-0145	C-236-08X	.375	9.53	.250	6.35
19070-0148	C-240-10X	.375	9.53	.250	6.35
19070-0150	C-240-14X	.375	9.53	.250	6.35
19070-0153	C-240-38X	.375	9.53	.250	6.35
19070-0155	C-240-56X	.375	9.53	.250	6.35
19070-0275	C-236-08XR90	.375	9.53	.250	6.35
19070-0336	C-236-06XR90	.375	9.53	.250	6.35



Wire Size: 10 – 12 AWG 5.00 – 3.00mm <sup>2</sup>					
Terminal No.	Terminal Eng No. (REF)	Wire Strip Length		Insulation Diameter Maximum	
		In	mm	In	mm
19071-0084	C-601-12X	.375	9.53	.250	6.35
19071-0085	C-601-14X	.375	9.53	.250	6.35
19071-0086	C-601-38X	.375	9.53	.250	6.35
19071-0087	C-601-56X	.375	9.53	.250	6.35
19071-0088	C-601-76X	.375	9.53	.250	6.35
19071-0089	C-628-04X	.375	9.53	.250	6.35
19071-0092	C-628-06X	.375	9.53	.250	6.35
19071-0095	C-628-08X	.375	9.53	.250	6.35
19071-0098	C-628-10X	.375	9.53	.250	6.35
19071-0100	C-628-209X	.375	9.53	.250	6.35
19071-0103	C-630-10X	.375	9.53	.250	6.35
19071-0106	C-630-14X	.375	9.53	.250	6.35
19071-0110	C-630-56X	.375	9.53	.250	6.35
19071-0115	C-636-04X	.375	9.53	.250	6.35
19071-0117	C-636-06X	.375	9.53	.250	6.35
19071-0119	C-636-08X	.375	9.53	.250	6.35
19071-0121	C-640-10X	.375	9.53	.250	6.35
19071-0123	C-640-14X	.375	9.53	.250	6.35
19071-0127	C-640-38X	.375	9.53	.250	6.35
19071-0130	C-640-56X	.375	9.53	.250	6.35
19073-0101	C-501-12	.375	9.53	.225	5.17
19073-0102	C-501-14	.375	9.53	.225	5.17
19073-0103	C-501-38	.375	9.53	.225	5.17
19073-0104	C-501-56	.375	9.53	.225	5.17
19073-0105	C-501-76	.375	9.53	.225	5.17
19073-0106	C-528-04	.375	9.53	.225	5.17
19073-0108	C-528-06	.375	9.53	.225	5.17
19073-0110	C-528-08	.375	9.53	.225	5.17
19073-0113	C-528-10	.375	9.53	.225	5.17
19073-0117	C-530-10	.375	9.53	.225	5.17
19073-0119	C-530-14	.375	9.53	.225	5.17
19073-0122	C-530-38	.375	9.53	.225	5.17
19073-0123	C-530-56	.375	9.53	.225	5.17
19073-0128	C-536-04	.375	9.53	.225	5.17
19073-0130	C-536-06	.375	9.53	.225	5.17
19073-0132	C-536-08	.375	9.53	.225	5.17
19073-0134	C-540-10	.375	9.53	.225	5.17
19073-0136	C-540-14	.375	9.53	.225	5.17
19073-0139	C-540-38	.375	9.53	.225	5.17
19073-0143	C-540-56	.375	9.53	.225	5.17
19073-0145	C-801-12	.375	9.53	.225	5.71
19073-0147	C-801-12X	.375	9.53	.225	5.71
19073-0148	C-801-14	.375	9.53	.225	5.71
19073-0149	C-801-14X	.375	9.53	.225	5.71
19073-0150	C-801-38	.375	9.53	.225	5.71
19073-0151	C-801-38X	.281	7.14	.225	5.71
19073-0152	C-801-56	.375	9.53	.225	5.71
19073-0153	C-801-56X	.281	7.14	.225	5.71
19073-0154	C-801-76	.375	9.53	.225	5.71
19073-0155	C-801-76X	.281	7.14	.225	5.71
19073-0156	C-828-04	.375	9.53	.225	5.71
19073-0158	C-828-04X	.281	7.14	.225	5.71
19073-0160	C-828-06	.375	9.53	.225	5.71
19073-0163	C-828-06X	.281	7.14	.225	5.71
19073-0165	C-828-08	.375	9.53	.225	5.71
19073-0168	C-828-08X	.281	7.14	.225	5.71
19073-0170	C-828-10	.375	9.53	.225	5.71
19073-0173	C-828-10X	.281	7.14	.225	5.71
19073-0176	C-828-209	.375	9.53	.225	5.71
19073-0179	C-830-10	.375	9.53	.225	5.71
19073-0181	C-830-10X	.281	7.14	.225	5.71
19073-0182	C-830-10XLBK	.375	9.53	.225	5.71
19073-0185	C-830-10XX	.375	9.53	.225	5.71

Wire Size: 10 – 12 AWG 5.00 – 3.00mm <sup>2</sup>					
Terminal No.	Terminal Eng No. (REF)	Wire Strip Length		Insulation Diameter Maximum	
		In	mm	In	mm
19073-0188	C-830-14	.375	9.53	.225	5.71
19073-0191	C-830-14X	.281	7.14	.225	5.71
19073-0192	C-830-14XLBK	.375	9.53	.233	5.91
19073-0195	C-830-14XX	.375	9.53	.320	8.12
19073-0200	C-830-56	.375	9.53	.233	5.91
19073-0202	C-830-56X	.281	7.14	.250	6.35
19073-0203	C-830-56XLBK	.375	9.53	.233	5.91
19073-0206	C-830-56XX	.375	9.53	.320	8.12
19073-0212	C-836-04	.375	9.53	.225	5.71
19073-0214	C-836-04X	.281	7.14	.250	6.35
19073-0216	C-836-06	.375	9.53	.225	5.71
19073-0220	C-836-06X	.281	7.14	.250	6.35
19073-0222	C-836-08	.375	9.53	.225	5.71
19073-0225	C-836-08X	.281	7.14	.250	6.35
19073-0227	C-840-10	.375	9.53	.225	5.71
19073-0229	C-840-10X	.281	7.14	.250	6.35
19073-0231	C-840-14	.375	9.53	.225	5.71
19073-0233	C-840-14X	.281	7.14	.250	6.35
19073-0236	C-840-38	.375	9.53	.225	5.71
19073-0238	C-840-38X	.281	7.14	.250	6.35
19073-0242	C-840-56	.375	9.53	.225	5.71
19073-0244	C-840-56X	.281	7.14	.250	6.35
19073-0272	C-830-10XXBK	.375	9.53	.225	5.71
19073-0273	C-830-14XXBK	.375	9.53	.320	8.12
19073-0274	C-830-56XXBK	.375	9.53	.320	8.12
19080-0005	C-2006-MSX	.375	9.53	.250	6.35
19081-0005	C-5006-MS	.375	9.53	.225	5.71
19090-0077	C-2103-08X	.375	9.53	.250	6.35
19090-0079	C-2106-06X	.375	9.53	.250	6.35
19090-0081	C-212-06X	.375	9.53	.250	6.35
19090-0083	C-212-08X	.375	9.53	.250	6.35
19090-0085	C-212-10X	.375	9.53	.250	6.35
19092-0065	C-6103-08X	.375	9.53	.250	6.35
19092-0067	C-6106-06X	.375	9.53	.250	6.35
19092-0069	C-612-06X	.375	9.53	.250	6.35
19092-0071	C-612-08X	.375	9.53	.250	6.35
19092-0073	C-612-10X	.375	9.53	.250	6.35
19094-0081	C-5103-08	.375	9.53	.225	5.71
19094-0083	C-5106-06	.375	9.53	.225	5.71
19094-0085	C-512-06	.375	9.53	.225	5.71
19094-0087	C-512-08	.375	9.53	.225	5.71
19094-0089	C-512-10	.375	9.53	.225	5.71
19095-0099	C-8103-08	.375	9.53	.225	5.71
19095-0102	C-8106-06	.375	9.53	.225	5.71
19095-0105	C-812-06	.375	9.53	.225	5.71
19095-0108	C-812-08	.375	9.53	.225	5.71
19095-0111	C-812-10	.375	9.53	.225	5.71
19099-0036	C-2196-06X	.375	9.53	.250	6.35
19099-0038	C-2197-08X	.375	9.53	.250	6.35
19099-0040	C-2198-10X	.375	9.53	.250	6.35
19099-0042	C-2199-14X	.375	9.53	.250	6.35
19099-0043	C-2710-05X	.375	9.53	.250	6.35
19099-0044	C-2710-06X	.375	9.53	.250	6.35
19099-0048	C-2718-08X	.375	9.53	.250	6.35
19099-0050	C-2719-10X	.375	9.53	.250	6.35
19115-0033	C-8196-06	.375	9.53	.225	5.71
19115-0035	C-8197-08	.375	9.53	.225	5.71
19115-0037	C-8198-10	.375	9.53	.225	5.71
19115-0039	C-8199-14	.375	9.53	.225	5.71
19115-0041	C-8710-05	.375	9.53	.225	5.71
19115-0042	C-8710-06	.375	9.53	.225	5.71
19115-0046	C-8718-08	.375	9.53	.225	5.71
19115-0048	C-8719-10	.375	9.53	.225	5.71

Wire Size: 10 – 12 AWG 5.00 – 3.00mm <sup>2</sup>					
Terminal No.	Terminal Eng No. (REF)	Wire Strip Length		Insulation Diameter Maximum	
		In	mm	In	mm
19121-0045	C-2101-08X	.375	9.53	.250	6.35
19121-0046	C-2104-06X	.375	9.53	.250	6.35
19121-0047	C-2104-08X	.375	9.53	.250	6.35
19121-0049	C-2104-10X	.375	9.53	.250	6.35
19121-0051	C-217-06X	.375	9.53	.250	6.35
19121-0053	C-217-08X	.375	9.53	.250	6.35
19121-0056	C-217-10X	.375	9.53	.250	6.35
19122-0054	C-6101-08X	.375	9.53	.250	6.35
19122-0056	C-6104-06X	.375	9.53	.250	6.35
19122-0060	C-617-06X	.375	9.53	.250	6.35
19122-0062	C-617-08X	.375	9.53	.250	6.35
19122-0064	C-617-10X	.375	9.53	.250	6.35
19125-0067	C-5101-08	.375	9.53	.225	5.17
19125-0070	C-5104-06	.375	9.53	.225	5.17
19125-0074	C-517-06	.375	9.53	.225	5.17
19125-0076	C-517-08	.375	9.53	.225	5.17
19125-0078	C-517-10	.375	9.53	.225	5.17
19127-0073	C-8101-08	.375	9.53	.225	5.71
19127-0077	C-8104-06	.375	9.53	.225	5.71
19127-0079	C-8104-06X	.281	7.14	.225	5.71
19127-0081	C-8104-08	.375	9.53	.225	5.71
19127-0082	C-8104-10	.375	9.53	.225	5.71
19127-0083	C-817-06	.375	9.53	.225	5.71
19127-0086	C-817-08	.375	9.53	.225	5.71
19127-0089	C-817-10	.375	9.53	.225	5.71
19127-0091	C-817-10X	.281	7.14	.225	5.71
19127-0101	C-8101-08X	.281	7.14	.225	5.71
19127-0102	C-817-06X	.281	7.14	.225	5.71
19127-0103	C-817-08X	.281	7.14	.225	5.71
19131-0001	C-2481-10X	.375	9.53	.250	6.35
19131-0002	C-2105-10X	.375	9.53	.250	6.35
19131-0004	C-2105-08X	.375	9.53	.250	6.35
19131-0006	C-2105-06X	.375	9.53	.250	6.35
19131-0010	C-2102-08X	.375	9.53	.250	6.35
19137-0035	C-5102-08	.375	9.53	.225	5.17
19137-0038	C-5105-06	.375	9.53	.225	5.17
19137-0040	C-5105-08	.375	9.53	.225	5.17
19137-0041	C-5105-10	.375	9.53	.225	5.17
19139-0057	C-8102-08	.375	9.53	.225	5.71
19139-0060	C-8105-08	.375	9.53	.225	5.71
19139-0061	C-8105-10	.375	9.53	.225	5.71
19144-0037	C-241-06X	.375	9.53	.250	6.35
19144-0039	C-241-08X	.375	9.53	.250	6.35
19144-0040	C-241-08XR90	.375	9.53	.250	6.35
19144-0042	C-241-10X	.375	9.53	.250	6.35
19144-0045	C-268-10X	.375	9.53	.250	6.35
19144-0046	C-268-14X	.375	9.53	.250	6.35
19144-0047	C-268-56X	.375	9.53	.250	6.35
19145-0075	C-6102-08X	.375	9.53	.250	6.35
19145-0078	C-6105-06X	.375	9.53	.250	6.35
19145-0082	C-641-06X	.375	9.53	.250	6.35
19145-0084	C-641-08X	.375	9.53	.250	6.35
19145-0088	C-641-10X	.375	9.53	.250	6.35
19145-0091	C-668-10X	.375	9.53	.250	6.35
19145-0093	C-668-14X	.375	9.53	.250	6.35
19145-0094	C-668-56X	.375	9.53	.250	6.35
19153-0003	CMCT-2NF	.281	7.14		
19154-0026	C-246OV	.234	5.95		
19154-0028	C-246X	.234	5.95	.265	6.73
19154-0029	C-246X-B	.234	5.95	.270	6.85
19154-0033	C-L246X	.359	9.13		
19154-0035	CB-646X	.281	7.14		
19154-0037	CS-V-346X	.359	9.13	.260	6.60

Wire Size: 10 – 12 AWG 5.00 – 3.00mm <sup>2</sup>					
Terminal No.	Terminal Eng No. (REF)	Wire Strip Length		Insulation Diameter Maximum	
		In	mm	In	mm
19179-0014	C-211-06X	.375	9.53	.250	6.35
19179-0016	C-211-08X	.375	9.53	.250	6.35
19179-0019	C-211-10X	.375	9.53	.250	6.35
19179-0021	C-299-14X	.375	9.53	.250	6.35
19179-0022	C-299-56X	.375	9.53	.250	6.35
19182-0016	C-699-14X	.375	9.53	.250	6.35
19182-0017	C-699-56X	.375	9.53	.250	6.35
19183-0013	C-811-06	.375	9.53	.225	5.71
19183-0016	C-811-08	.375	9.53	.225	5.71
19183-0019	C-811-10	.375	9.53	.225	5.71
19183-0022	C-899-14	.375	9.53	.225	5.71
19183-0026	C-899-56	.375	9.53	.225	5.71
19183-0028	C-899-14X	.281	7.14		
19183-0029	C-811-08X	.281	7.14	.225	5.71
19183-0031	C-811-10X	.281	7.14	.225	5.71
19184-0001	C-511-06	.375	9.53	.225	5.17
19184-0003	C-511-08	.375	9.53	.225	5.17
19184-0005	C-511-10	.375	9.53	.225	5.17
19184-0007	C-599-14	.375	9.53	.225	5.17
19184-0008	C-599-56	.375	9.53	.225	5.17
19196-0068	C-541-10	.375	9.53	.225	5.17
19196-0071	C-568-10	.375	9.53	.225	5.17
19196-0072	C-568-14	.375	9.53	.225	5.17
19196-0074	C-568-56	.375	9.53	.225	5.17
19196-0075	C-541-06	.375	9.53	.225	5.17
19196-0077	C-541-08	.375	9.53	.225	5.17
19198-0039	C-8105-06	.375	9.53	.225	5.71
19198-0044	C-841-06	.375	9.53	.225	5.71
19198-0047	C-841-08	.375	9.53	.225	5.71
19198-0050	C-841-10	.375	9.53	.225	5.71
19198-0055	C-868-10	.375	9.53	.225	5.71
19198-0056	C-868-14	.375	9.53	.225	5.71
19198-0057	C-868-14X	.281	7.14	.250	6.35
19198-0058	C-868-56	.375	9.53	.225	5.71
19198-0078	C-841-08X	.281	7.14	.250	6.35
19198-0085	C-841-10X	.281	7.14	.250	6.35
19199-0005	C-846	.312	7.94	.228	5.79
19200-0003	CS-846	.312	7.94	.230	5.84
19202-0045	CS-952	.359	9.13	.276	
19202-0046	CS-952-DK	.359	9.13	.276	
19202-0049	CS-N-346	.359	9.13		
19204-0019	C-8XC	.375	9.53		
19204-0025	C-2XCX	.375	9.53	.250	6.35
19204-0026	C-2YCX	.375	9.53	.250	6.35
19204-0029	C-5XC	.375	9.53		
19204-0030	C-5YC	.375	9.53		
19204-0031	C-8YC	.375	9.53		
19206-0007	C-203OV	.281	7.14		
19206-0008	C-203X	.281	7.14		
19207-0005	CS-N-303	.281	7.14		
19212-0001	WP-2210X	.281	7.14	.250	6.35
19213-0001	WP-5210	.281	7.14	.220	5.58
19213-0007	WP-8210	.281	7.14	.225	5.71

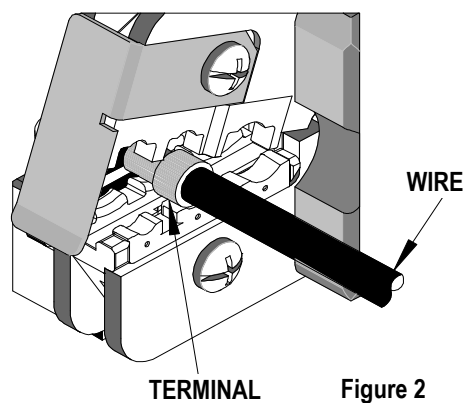
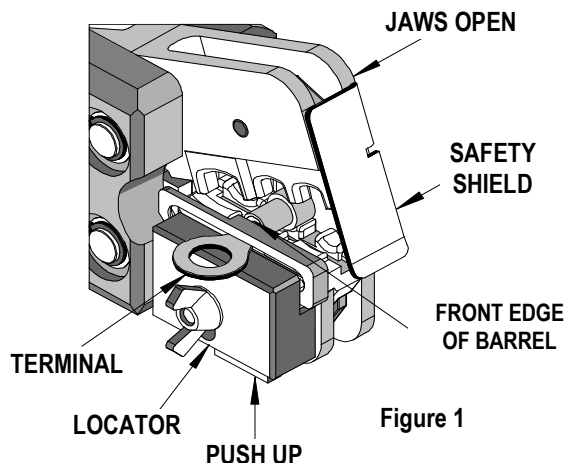
STEP DOWN BUTT SPLICE					
Wire Size: 10 – 12 AWG 5.00 – 3.00mm <sup>2</sup> to 14 - 16 AWG 2.00-1.30mm <sup>2</sup>					
NOTE: Crimp both ends of splice in 10-12 AWG (yellow) nest.					
Terminal No.	Terminal Eng No. (REF)	Wire Strip Length		Insulation Diameter Maximum	
		In	mm	In	mm
19154-0035	CB-646X	.281	7.14	.260	6.60

## OPERATION

Refer to the instruction manual for the 19279-0001 (AT-200) for mounting this crimp tool head.

### Crimping Terminals

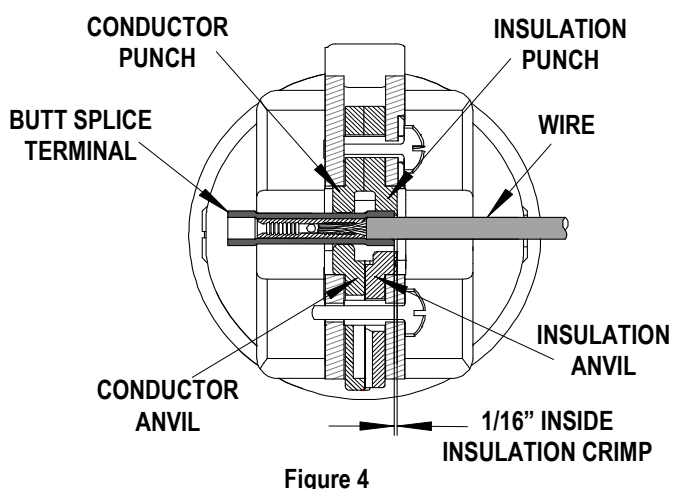
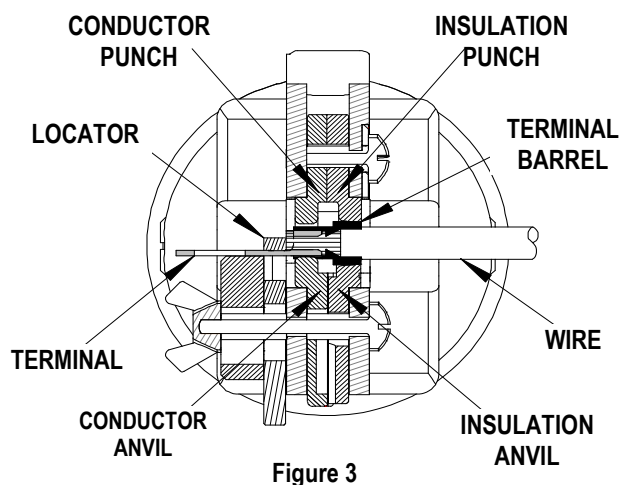
1. Adjust the locator up or down until the terminal being run sits flat and straight in the tool.
2. Insert the wire into the terminal. Push up on the locator blade and push the terminal and wire with the barrel facing up into the proper color-coded nest with front edge of the barrel against the locator (See Figure 1). Release the locator blade to hold the terminal in position.



**Caution:** Never operate this tool without the supplied safety shield in place. Never place fingers in the tool nests.

3. Push on wire to assure it is still fully seated in the terminal. See Figure 2 and 3. Cycle the tool.
4. Lift the locator blade or wire stop and remove the crimped terminal. Inspect for proper crimp location, and check for insulation closure. Locator is adjustable up and down to keep terminals straight after crimping.
5. When crimping butt splices the locator must be removed and the splice visually aligned with the tooling  $1/16''$  inside the insulation crimp. See Figure 4.

**Note:** Whenever crimping without the locator, make sure the seam of the terminal is oriented up or down in the tool if using unbrazed product, as this will provide higher pull force values.





- If the insulation part of the crimp needs to be adjusted, first disconnect air source and loosen the M4 screw on the bottom tool jaw, then insert a 3/32" hex wrench (supplied) into the bottom of the lower die (See Figure 5). A clockwise (CW) rotation decreases insulation crimp while a counter-clockwise (CCW) rotation increases insulation crimp. After adjusting retighten the M4 screw. Reconnect air source.

**Maintenance**

It is recommended that each operator of the tool be made aware of, and responsible for, the following maintenance steps:

- Remove dust, moisture and other contaminants with a clean brush, or soft, lint-free cloth.
- Do not use any abrasive materials that could damage the tool.
- Make certain all pins; pivot points and bearing surfaces are protected with a thin coat of high quality machine oil. Do not oil excessively. This tool was engineered for durability, but like any fine piece of equipment it needs cleaning and lubrication for a maximum service life of trouble-free crimping. A light oil, such as 30 weight automotive oil, used at the oil points shown in Figure 5, every 5,000 crimps or monthly will significantly enhance the tool life and ensure a stable calibration.
- When tool is not in use store the tool in a clean, dry area.

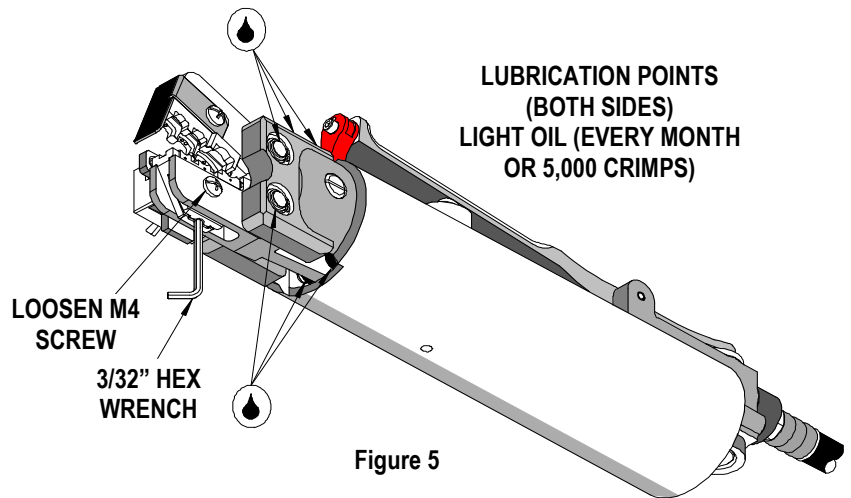
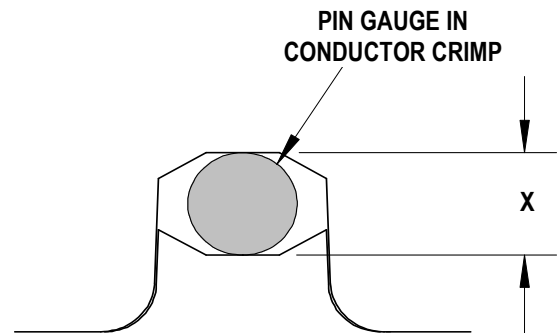


Figure 5

**Tool Calibration**

A Certificate of Calibration (see last page) was supplied with the tool. To recalibrate this tool, pin gauge measurements should be taken in each conductor nest and compared to this chart. The tool should be lubricated prior to recalibration to ensure consistent measurements.



"Confining" Crimp

Nest Color Code	Wire Range		"X" Dimension Conductor Crimp			Crimp Inspection Marking
	AWG	mm <sup>2</sup>	Mean	Go	No Go	
Red	18 - 22	0.35 - 0.80	.108	.104	.112	o
Blue	14 - 16	1.30 - 2.00	.117	.112	.122	oo
Yellow	10 - 12	3.30 - 5.00	.147	.143	.152	o

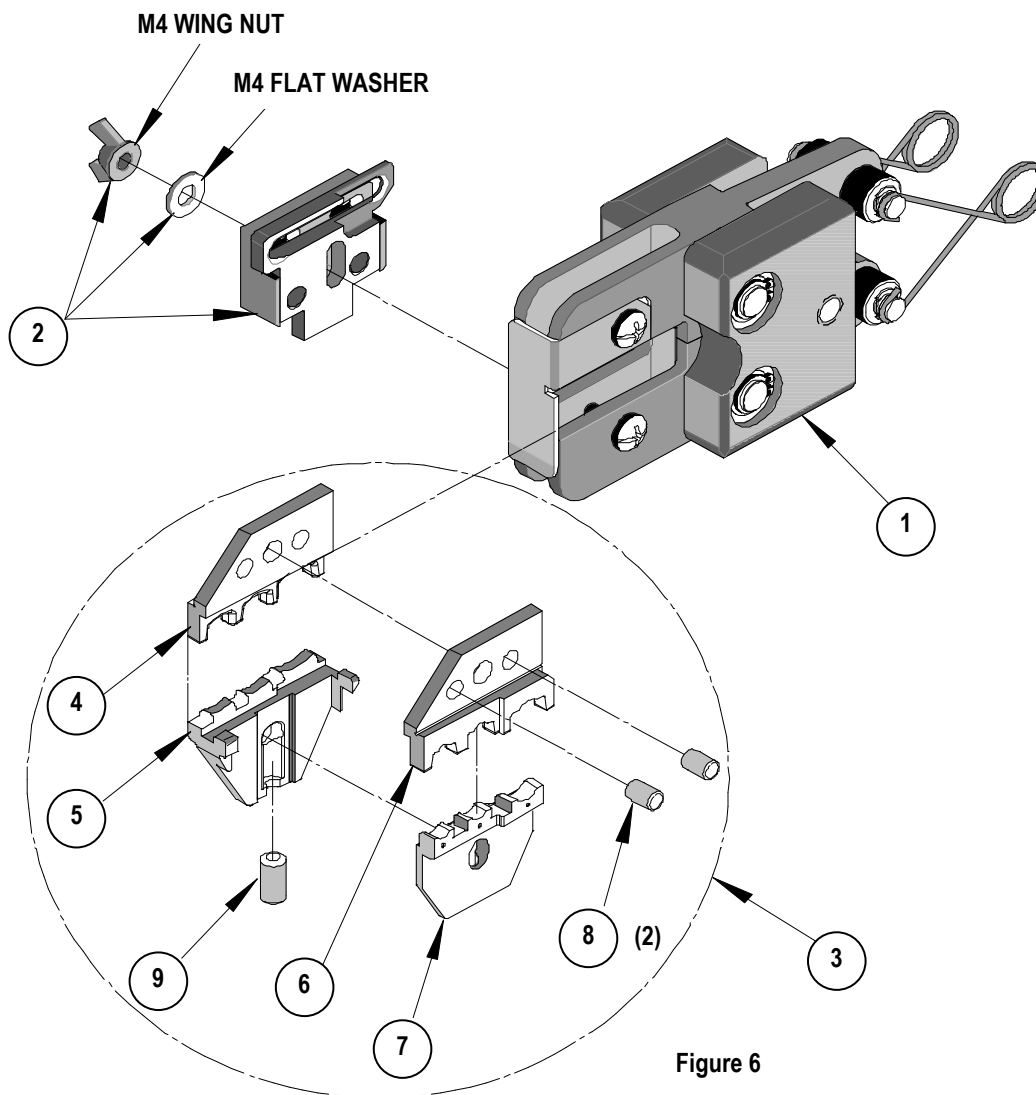
**Warranty**

This tool is for electrical terminal crimping purposes only. This tool is made of the best quality materials. All vital components are long-life tested. All tools are warranted to be free of manufacturing defects for a period of **30 days**. Should such a defect occur, we would repair or exchange the tool free of charge. This repair or exchange will not be applicable to altered, misused or damaged tools.

**PARTS LIST**

Item	Order No	Description	Quantity
	<b>64005-0100</b>	<b>Crimp Tool Head</b>	<b>Figure 6</b>
1	64005-0000	Basic Air Tool Head	1
2	64005-0175	Locator Assembly	1
3	64001-0170	Tooling Kit	1
<b>Tooling Kit Only</b>			
4	64001-0114	Conductor Punch	1
5	64001-0112	Conductor Anvil	1
6	64001-0115	Insulation Punch	1
7	64001-0113	Insulation Anvil	1
8	N/A	4mm Diameter by 5.0mm Long Roll Pins	2**
9	N/A	#10-32 by 5/16" Long Cup Point Set Screw	1**

\*\* The following purchased parts are available from an Industrial supply company such as MSC (1-800-645-7270).



Parts List (Continued)

Item	Order No.	Description	Quantity
	<b>64005-0000</b>	<b>Basic Air Tool Head</b>	<b>Figure 7</b>
1	64005-0103	Nose Guard	1
2	64000-0077	Repair Kit (Springs, Rods, Pivots, Rings, and Washers)	1
3	N/A	M4 by 12 Long Freedrive Pan Head Screw	1**
4	N/A	M4 by 30 Long Freedrive Pan Head Screw	1**
5	N/A	3/16" by 3/8" Long Dowel Pin	1**

\*\* The following purchased parts are available from an Industrial supply company such as (MSC 1-800-645-7270).

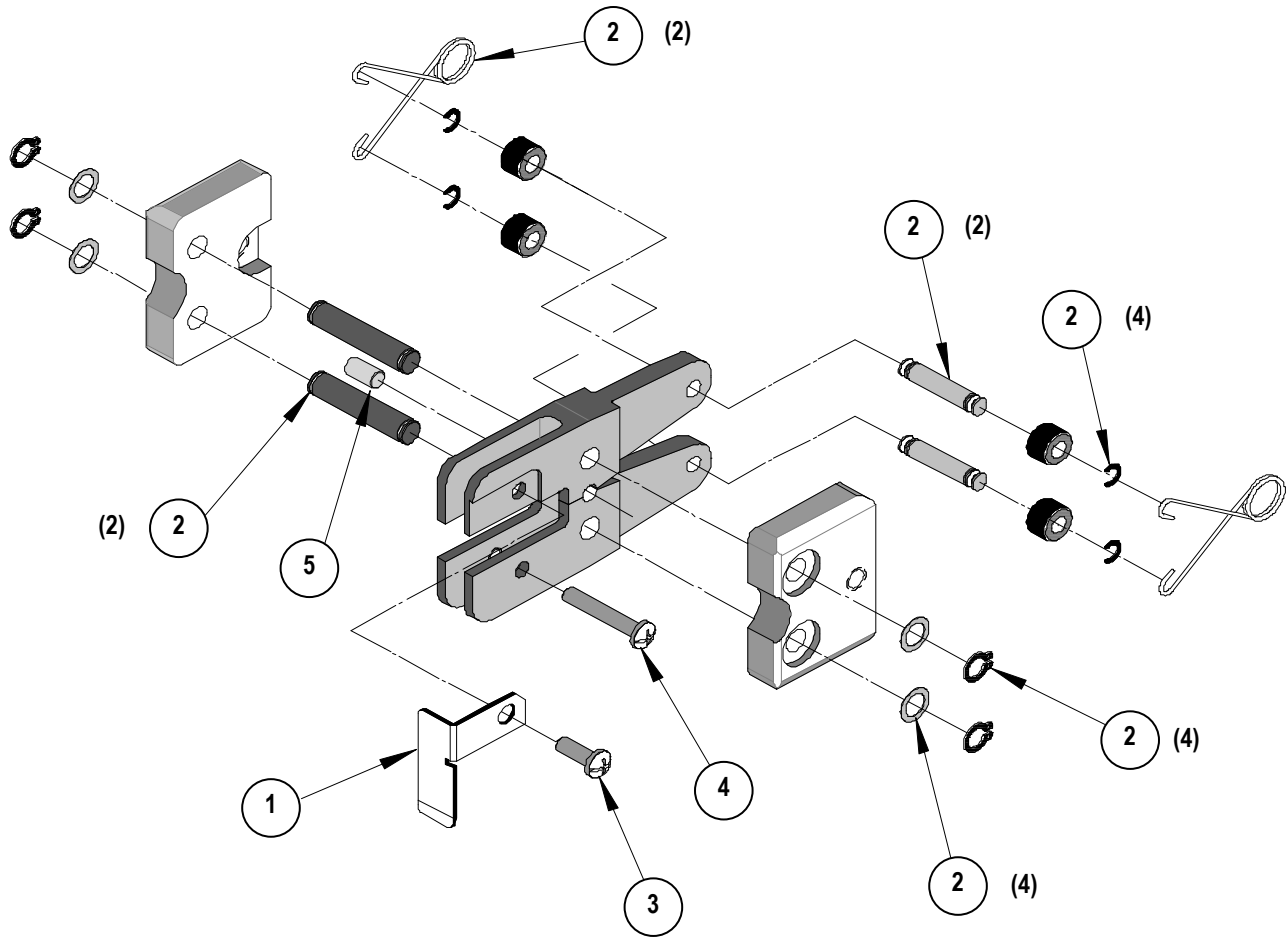
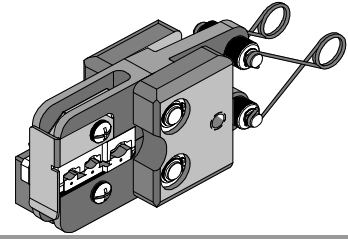


Figure 7





**Air Powered  
Crimp Tool Head  
Avikrimp™ and  
Insulkrimp™**

**Certificate of Calibration**

**Order No. 64005-0100  
Engineering No. AT 1990  
(Replaces 19283-0001)**

Tool Order Number \_\_\_\_\_

Tool Eng. Number \_\_\_\_\_

Tool Revision \_\_\_\_\_

Serial Number \_\_\_\_\_

Date of Manufacture \_\_\_\_\_

Pin Gauge of Conductor Nest/Nests or Slug height if the nest is the "F" Crimp style.

Range Conductor Nest # 1 = \_\_\_\_\_ - Actual = \_\_\_\_\_ -

Range Conductor Nest # 2 = \_\_\_\_\_ - Actual = \_\_\_\_\_ -

Range Conductor Nest # 3 = \_\_\_\_\_ - Actual = \_\_\_\_\_ -

Technician \_\_\_\_\_

Date of Calibration \_\_\_\_\_

Calibration should be done every 5,000 cycles or 3 months.  
Tools should be lubricated during this operation.

<http://www.molex.com>