



Chipsmall Limited consists of a professional team with an average of over 10 year of expertise in the distribution of electronic components. Based in Hongkong, we have already established firm and mutual-benefit business relationships with customers from,Europe,America and south Asia,supplying obsolete and hard-to-find components to meet their specific needs.

With the principle of “Quality Parts,Customers Priority,Honest Operation,and Considerate Service”,our business mainly focus on the distribution of electronic components. Line cards we deal with include Microchip,ALPS,ROHM,Xilinx,Pulse,ON,Everlight and Freescale. Main products comprise IC,Modules,Potentiometer,IC Socket,Relay,Connector.Our parts cover such applications as commercial,industrial, and automotives areas.

We are looking forward to setting up business relationship with you and hope to provide you with the best service and solution. Let us make a better world for our industry!



## Contact us

Tel: +86-755-8981 8866 Fax: +86-755-8427 6832

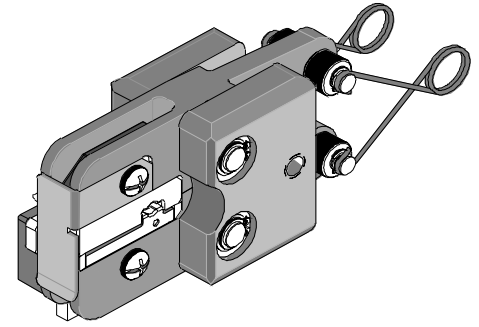
Email & Skype: info@chipsmall.com Web: www.chipsmall.com

Address: A1208, Overseas Decoration Building, #122 Zhenhua RD., Futian, Shenzhen, China





**Air Powered Crimp Tool Head  
Operating Instruction Sheet  
And Specifications  
Part No. 64005-1600  
Eng. No. AT 2200HD  
(Replaces 19283-0014)**



**FEATURES**

- Quick change tool head for the 19279-0001 (AT-200)
- Tooling kit is interchangeable with other kits in the 64001 and 64003 series
- A precision user-friendly terminal locator wire stop holds terminals in the proper crimping position
- Insulation crimp adjustment allows a precise insulation crimp. To meet or exceed the requirements of UL, CSA and Military Class II
- Pneumatic powered crimp tools help reduce fatigue and discomfort from repetitive manual crimping
- Single color-coded crimp pocket eliminates the possibility of using the wrong pocket

**SCOPE**

AviKrimp™ /InsulKrimp™ Terminals 14-16 AWG Heavy Duty, (Rings, Spades, Railroad Rings and Test Terminals.) This tool head is intended for use in the 19279-0001 (AT-200) either hand held or with optional bench adapter 19078-0307 (ATBA) and foot switch.

**Testing**

**Mechanical**

The tensile test, or pull test, is a means of evaluating the mechanical properties of the crimped connections. The following charts show the UL specifications for various wire sizes. The tensile strength is shown in pounds and indicates the minimum acceptable force to break or separate the terminal from the conductor.

Wire Size (AWG)	*UL - 486 A
16	30
14	50

\*UL - 486 A - Terminals (copper conductors only).

The following is a partial list of the product part numbers and their specifications that this tool is designed to run. We will be adding to this list and an up to date copy is available on [www.molex.com](http://www.molex.com).

Wire Size: 14 – 16 AWG 2.00 – 1.30 mm <sup>2</sup>					
Terminal No.	Terminal Eng No. (REF)	Wire Strip Length		Insul. Dia. Max.	
		In.	mm	In.	mm
19054-0063	B-201-12HDX	0.31	7.94	0.25	6.35
19054-0066	B-201-38HDX	0.31	7.94	0.25	6.35
19054-0070	B-201-76HDX	0.31	7.94	0.25	6.35
19054-0090	B-228-06HDX	0.31	7.94	0.25	6.35
19054-0092	B-228-08HDX	0.31	7.94	0.25	6.35
19054-0094	B-228-10HDX	0.31	7.94	0.25	6.35
19054-0096	B-230-10HDX	0.31	7.94	0.25	6.35
19054-0097	B-230-14HDX	0.31	7.94	0.25	6.35
19054-0098	B-230-56HDX	0.31	7.94	0.25	6.35

Wire Size: 14 – 16 AWG 2.00 – 1.30 mm <sup>2</sup>					
Terminal No.	Terminal	Wire Strip Length		Insul. Dia. Max.	
		In.	mm	In.	mm
19054-0126	B-240-38HDX	0.31	7.94	0.25	6.35
19058-0016	B-801-12HD	0.38	9.53	0.23	5.72
19058-0026	B-801-76HD	0.38	9.53	0.23	5.72
19058-0041	B-828-08HD	0.38	9.53	0.23	5.72
19058-0047	B-828-10HD	0.38	9.53	0.23	5.72
19058-0058	B-830-10HDDR	0.38	9.53	0.25	6.22
19058-0063	B-830-14HD	0.38	9.53	0.23	5.72
19058-0064	B-830-14HD-03	0.38	9.53	0.23	5.72
19058-0066	B-830-14HDDR	0.38	9.53	0.25	6.22



Terminal No.	Terminal Eng No. (REF)	Wire Size: 14 – 16 AWG 2.00 – 1.30 mm <sup>2</sup>			
		Wire Strip Length		Insul. Dia. Max.	
		In.	mm	In.	mm
19058-0072	B-830-56HD	0.38	9.53	0.23	5.72
19058-0073	B-830-56HD-03	0.38	9.53	0.23	5.72
19058-0075	B-830-56HRRR	0.38	9.53	0.25	6.22
19058-0117	B-840-38HD	0.38	9.53	0.23	5.72
19058-0155	TT-1614HD	0.38	9.53	0.21	5.38
19142-0037	B-241-10HDX	0.31	7.94	0.25	6.35

Terminal No.	Terminal	Wire Size: 14 – 16 AWG 2.00 – 1.30 mm <sup>2</sup>			
		Wire Strip Length		Insul. Dia. Max.	
		In.	mm	In.	mm
19142-0040	B-268-14HDX	0.31	7.94	0.25	6.35
19197-0020	B-841-08HD	0.38	9.53	0.23	5.72
19197-0023	B-841-10HD	0.38	9.53	0.23	5.72
19197-0038	B-841-08HDX	0.28	7.14	0.23	5.72
19197-0041	B-841-10HDX	0.28	7.14	0.23	5.72

## OPERATION

Refer to the instruction manual for the 19279-0001 (AT-200) for mounting this crimp tool head.

### Crimping Terminals

1. Adjust the locator up or down until the terminal being run sits flat and straight in the tool.
2. Insert the wire into the terminal. Push up on the locator blade and push the terminal and wire with the barrel facing up into the color-coded nest with front edge of the barrel against the locator (See Figure 1). Release the locator blade to hold the terminal in position.

**Caution:** Never operate this tool without the supplied safety shield in place. Never place fingers in the tool nests.

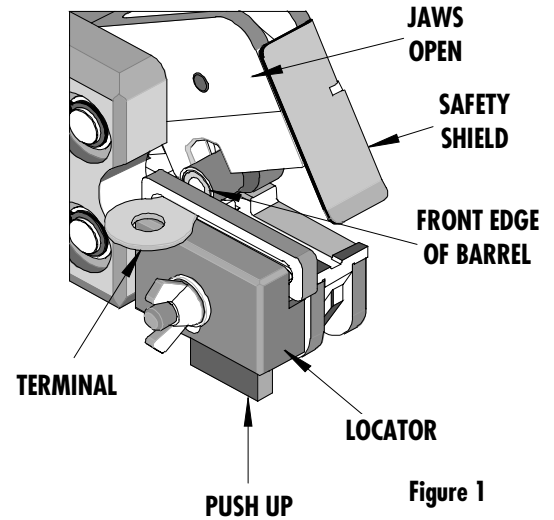


Figure 1

3. Push on wire to assure it is still fully seated in the terminal. (See Figure 2 and 3). Cycle the tool.

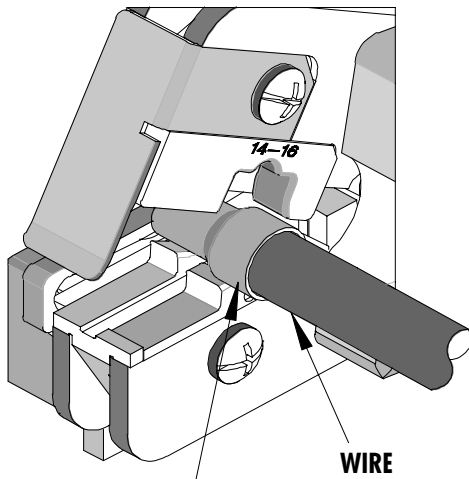


Figure 2

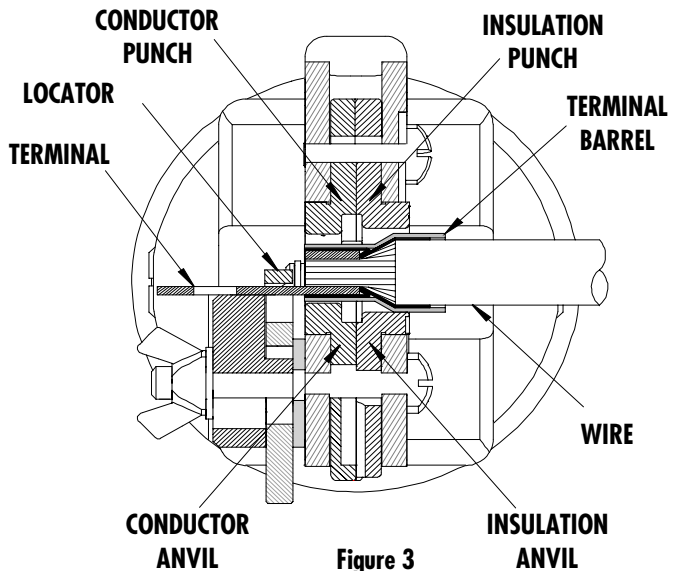


Figure 3

Lift the locator blade or wire stop and remove the crimped terminal. Inspect for proper crimp location, and check for insulation closure. Locator is adjustable up and down to keep terminals straight after crimping.

4. If the insulation part of the crimp needs to be adjusted, first disconnect air source and loosen the M4 screw on the bottom tool jaw, then insert a 3/32" hex wrench (supplied) into the bottom of the lower die (See Figure 4). A clockwise (CW) rotation decreases insulation crimp while a counter-clockwise (CCW) rotation increases insulation crimp. After adjusting retighten the M4 screw. Reconnect air source.

**Maintenance**

It is recommended that each operator of the tool be made aware of, and responsible for, the following maintenance steps:

1. Remove dust, moisture and other contaminants with a clean brush, or soft, lint-free cloth.
2. Do not use any abrasive materials that could damage the tool.
3. Make certain all pins, pivot points and bearing surfaces are protected with a thin coat of high quality machine oil. Do not oil excessively. The 64005-1600 (AT-2200HD) was engineered for durability, but like any fine piece of equipment it needs cleaning and lubrication for a maximum service life of trouble-free crimping. A light oil, such as 30 weight automotive oil used at the oil points shown in Figure 5, every 5,000 crimps or monthly will significantly enhance the tool life and ensure a stable calibration.
4. When tool is not in use store the tool in a clean, dry area.

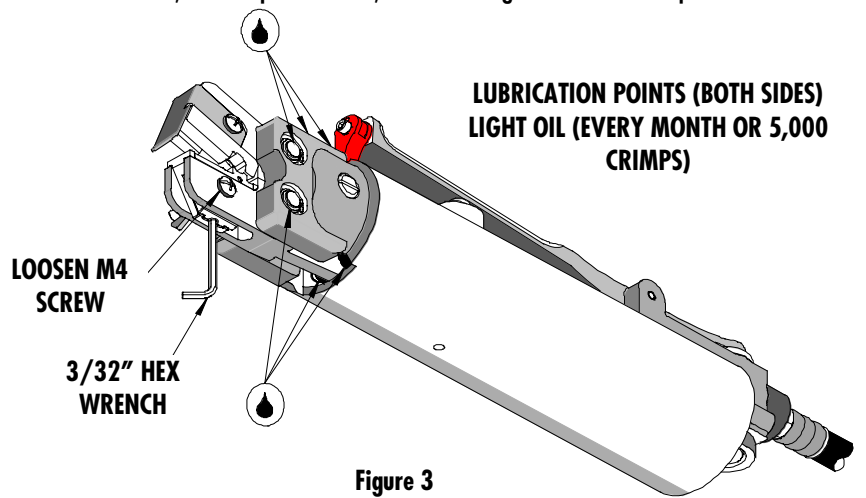
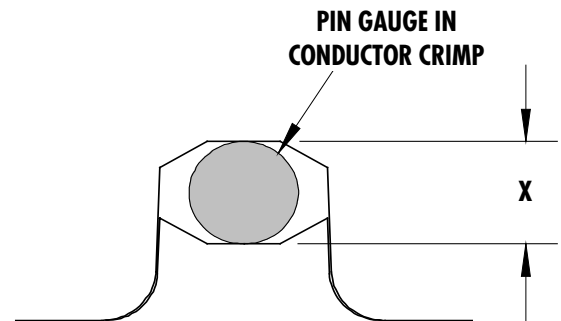


Figure 3

**Tool Calibration**

A Certificate of Calibration (see last page) was supplied with the tool. To recalibrate this tool, pin gauge measurements should be taken in each conductor nest and compared to this chart. The tool should be lubricated prior to recalibration to ensure consistent measurements.



"Confining" Crimp

Nest Color Code	Wire Range		"X" Dimension Conductor Crimp			Crimp Inspection Marking
	AWG	mm <sup>2</sup>	Mean	Go	No Go	
Yellow	14 - 16	2.00 - 1.30	.151	.150	.153	o

**Warranty**

This tool is for electrical terminal crimping purposes only. This tool is made of the best quality materials. All vital components are long life tested. All tools are warranted to be free of manufacturing defects for a period of **30 days**. Should such a defect occur, we would repair or exchange the tool free of charge. This repair or exchange will not be applicable to altered, misused or damaged tools.

PARTS LIST

Item	Order No	Description	Quantity
	<b>64005-1600</b>	<b>Crimp Tool Head</b>	<b>(Fig. 5)</b>
1	64005-0000	Basic Air Tool Head	1
2	64001-1675	Locator Assembly	1
3	64001-1670	Tooling Kit	1
<b>Tooling Kit Only</b>			
4	64001-1602	Conductor Punch	1
5	64001-1601	Conductor Anvil	1
6	64001-1606	Insulation Punch	1
7	64001-1505	Insulation Anvil	1
8	N/A	4 mm Dia. by 5.0 mm Lg. Roll Pins	2**
9	N/A	#10-32 by 5/16" Lg. Cup Pt. Set Screw	1**

\*\* The following purchased parts are available from an Industrial supply company such as MSC (1-800-645-7270).

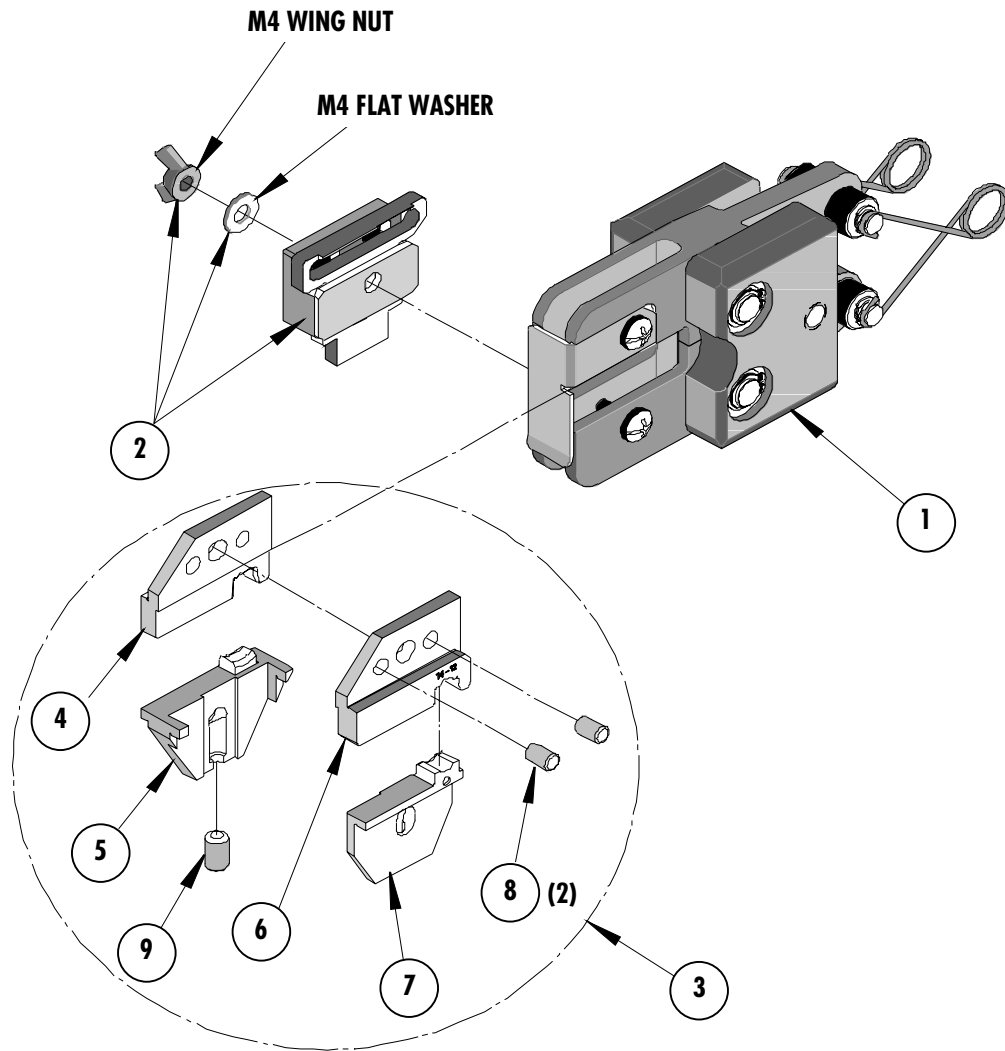


Figure 5

**Parts List (Continued)**

Item	Order No.	Description	Quantity
	<b>64005-0000</b>	<b>Basic Air Tool Head</b>	<b>(Fig. 6)</b>
1	64005-0103	Nose Guard	1
2	64000-0077	Repair Kit (Springs, Rods, Rods, Rings, and Washers)	1
3	N/A	M4 by 12LG. Freedrive Pan Head Screw	1**
4	N/A	M4 by 30LG. Freedrive Pan Head Screw	1**
5	N/A	3/16" by 3/8" Long Dowel Pin	1**

\*\* The following purchased parts are available from an Industrial supply company such as (MSC 1-800-645-7270).

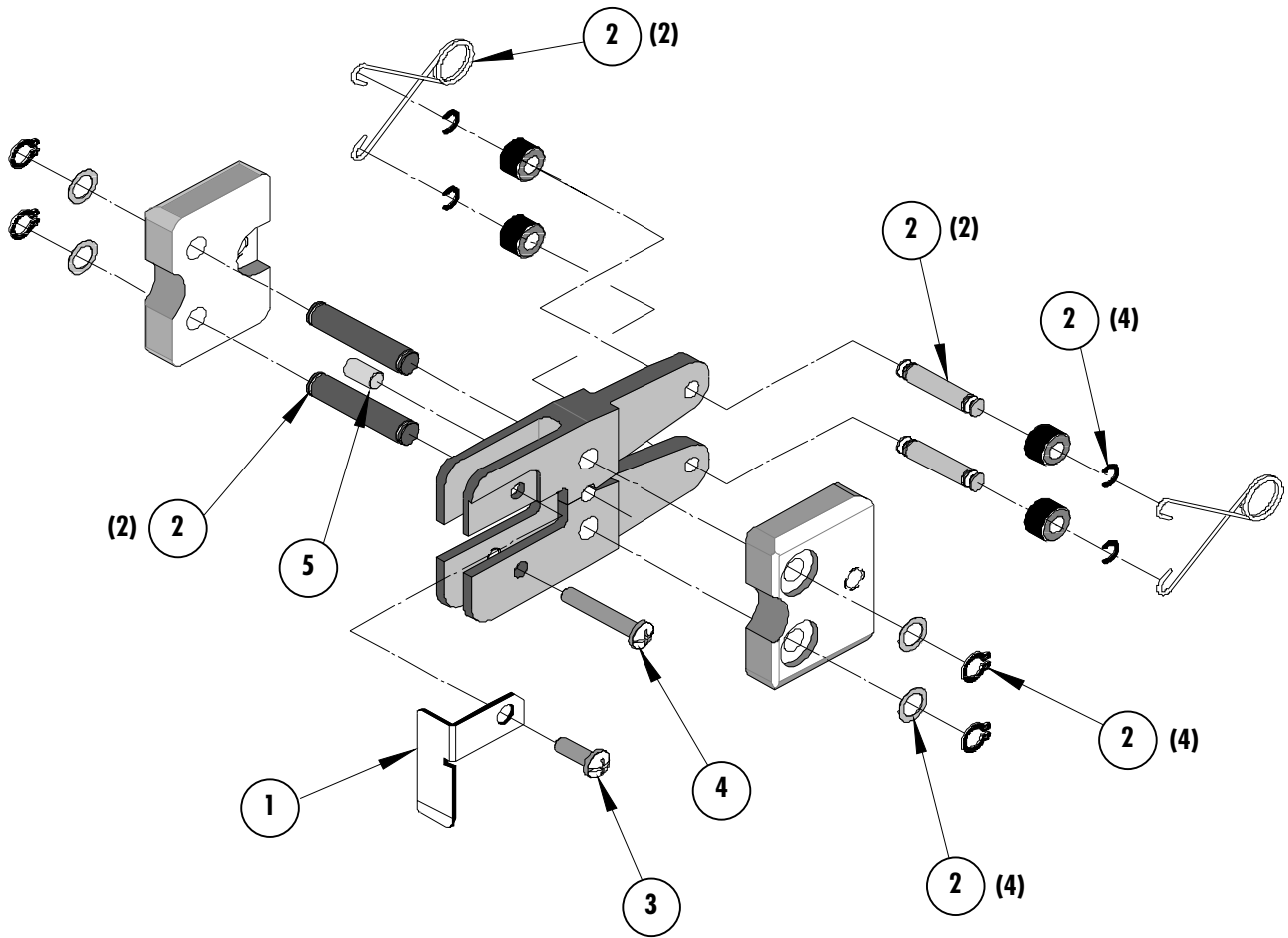
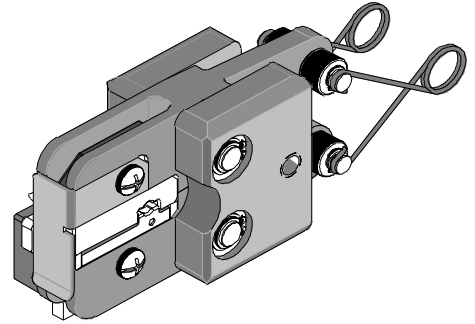


Figure 6



### Certificate of Calibration

Tool Order Number \_\_\_\_\_

Tool Eng. Number \_\_\_\_\_

Tool Revision \_\_\_\_\_

Serial Number \_\_\_\_\_

Date of Manufacture \_\_\_\_\_

Pin Gauge of Conductor Nest/Nests or Slug height if the nest is the "F" Crimp style.

Range Conductor Nest # 1 = \_\_\_\_\_ - Actual = \_\_\_\_\_ -

Range Conductor Nest # 2 = \_\_\_\_\_ - Actual = \_\_\_\_\_ -

Range Conductor Nest # 3 = \_\_\_\_\_ - Actual = \_\_\_\_\_ -

Technician \_\_\_\_\_ -

Date of Calibration \_\_\_\_\_ -

Calibration should be done every 5,000 cycles or 3 months.  
Tools should be lubricated during this operation.

### Molex Application Tooling Group

1150 E. Diehl Road  
Naperville, IL 60563  
Tel: (630) 969-4550  
Fax: (630) 505-0049