



Chipsmall Limited consists of a professional team with an average of over 10 year of expertise in the distribution of electronic components. Based in Hongkong, we have already established firm and mutual-benefit business relationships with customers from,Europe,America and south Asia,supplying obsolete and hard-to-find components to meet their specific needs.

With the principle of “Quality Parts,Customers Priority,Honest Operation,and Considerate Service”,our business mainly focus on the distribution of electronic components. Line cards we deal with include Microchip,ALPS,ROHM,Xilinx,Pulse,ON,Everlight and Freescale. Main products comprise IC,Modules,Potentiometer,IC Socket,Relay,Connector.Our parts cover such applications as commercial,industrial, and automotives areas.

We are looking forward to setting up business relationship with you and hope to provide you with the best service and solution. Let us make a better world for our industry!



## Contact us

Tel: +86-755-8981 8866 Fax: +86-755-8427 6832

Email & Skype: info@chipsmall.com Web: www.chipsmall.com

Address: A1208, Overseas Decoration Building, #122 Zhenhua RD., Futian, Shenzhen, China





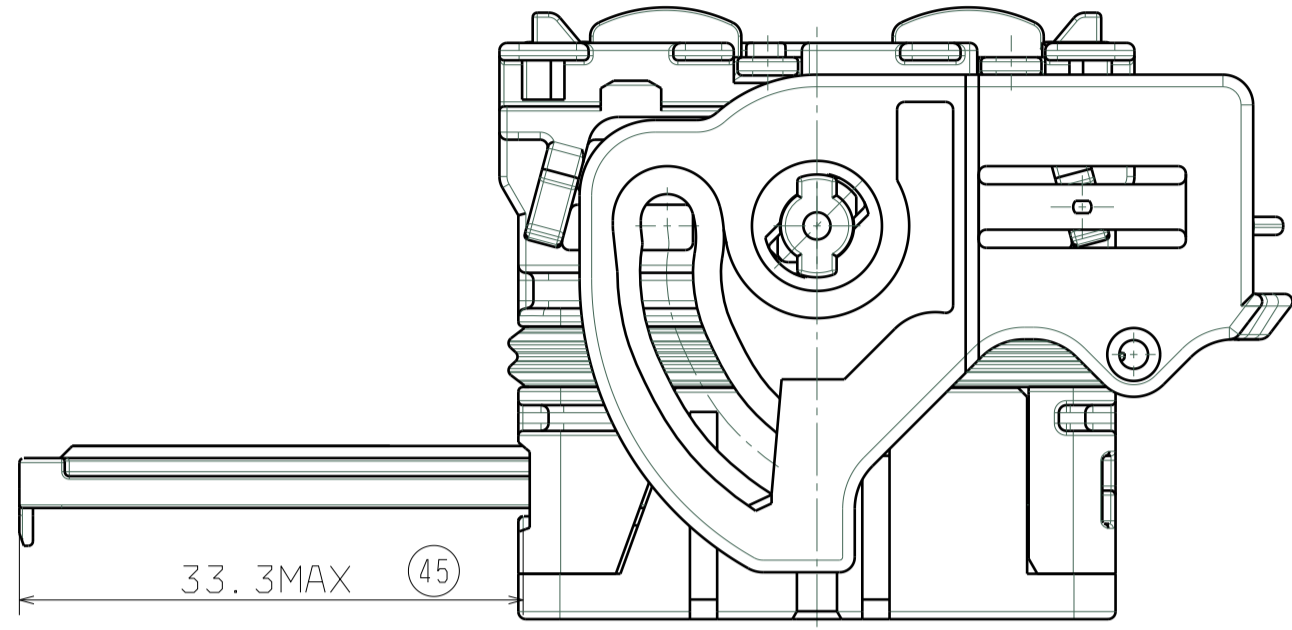
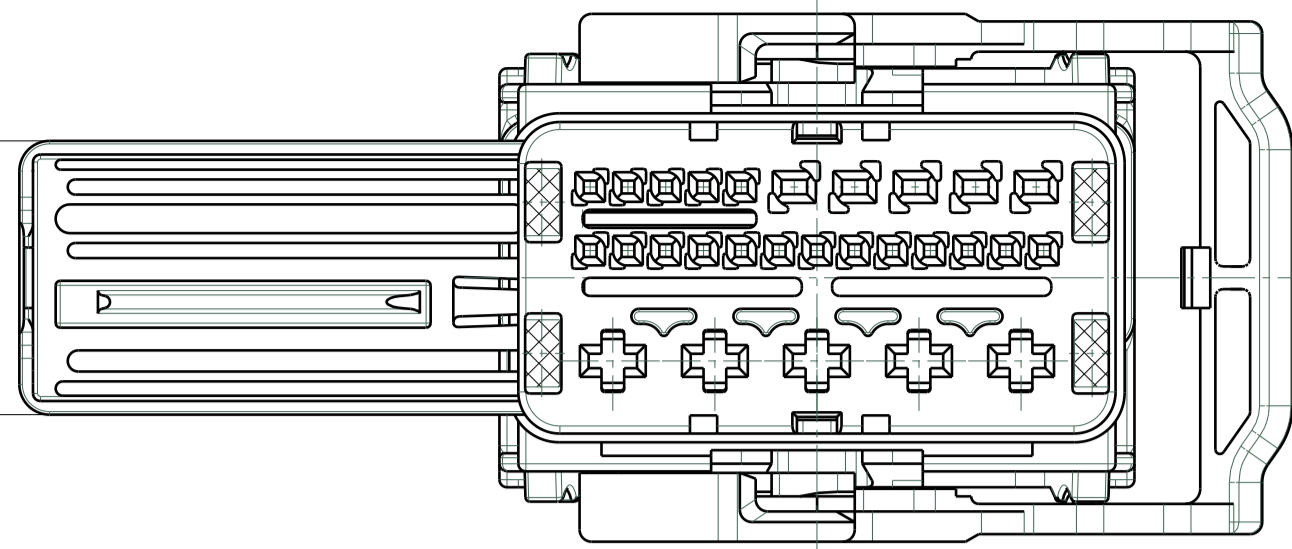




CONNECTOR OVERALL DIMENSIONS:  
SECONDARY LOCKING FULLY OPENED  
FOR TERMINAL INSERTION

RIGHT WIRE OUTPUT

18.1MAX  
44

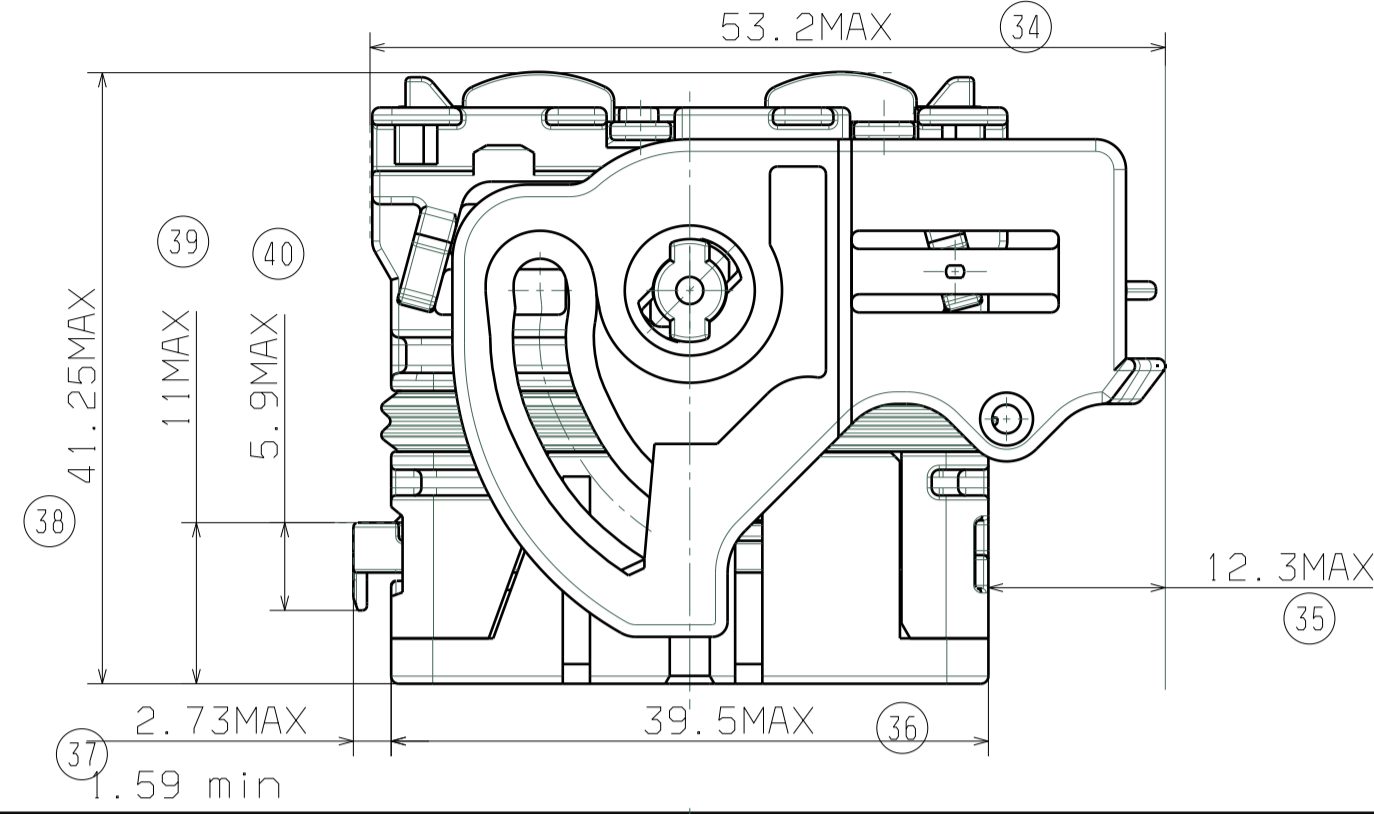
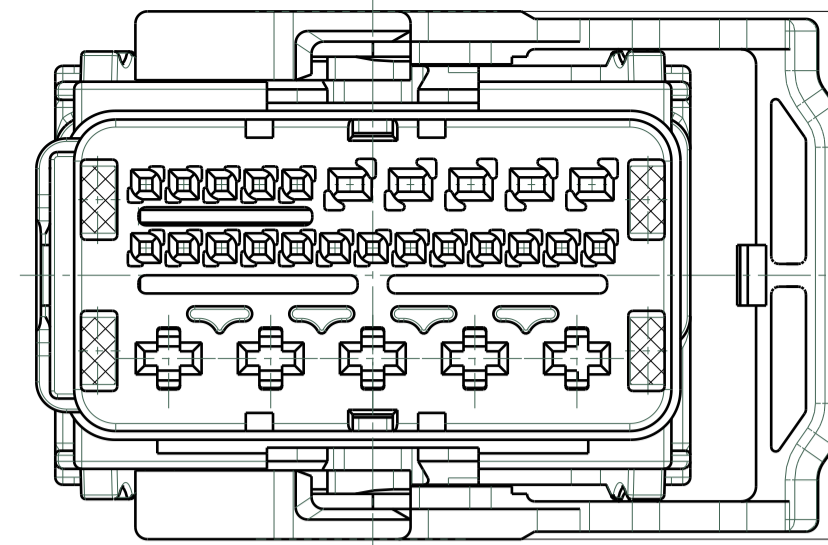


33.3MAX 45

CONNECTOR OVERALL DIMENSIONS:  
SECONDARY LOCKING IN  
DELIVERY POSITION

RIGHT WIRE OUTPUT

35.25MAX  
33



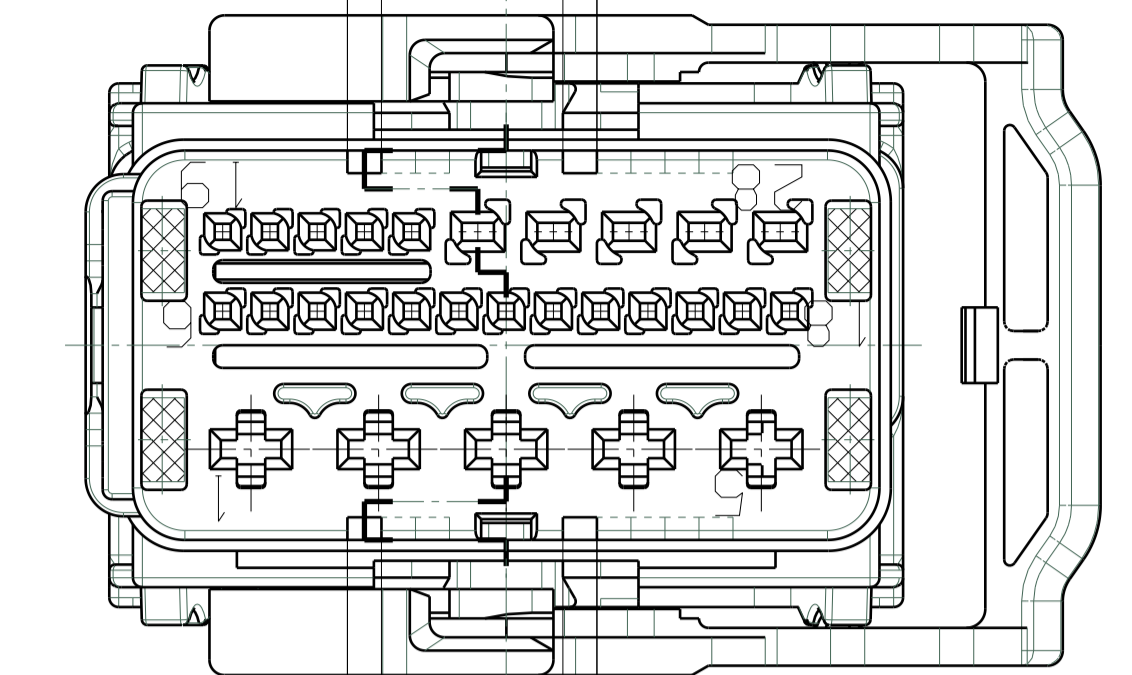
2.73MAX  
1.59 min 37

53.2MAX 34

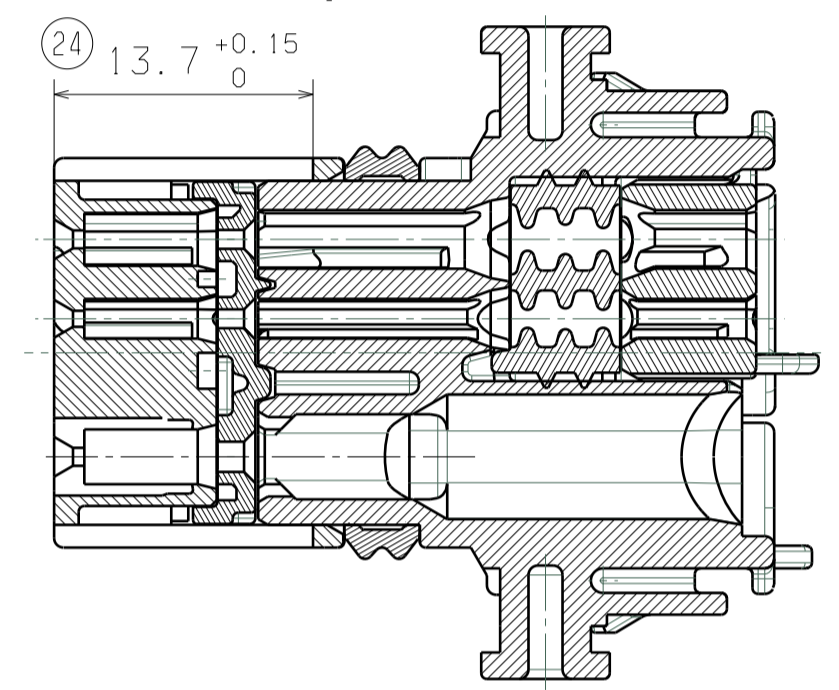
12.3MAX 35

CODING POSITION

31 C  $\begin{matrix} 0 \\ -0.1 \end{matrix}$  30 D  $\begin{matrix} 0 \\ -0.1 \end{matrix}$   
32 E  $\begin{matrix} +0.1 \\ 0 \end{matrix}$  E  $\begin{matrix} +0.1 \\ 0 \end{matrix}$  29



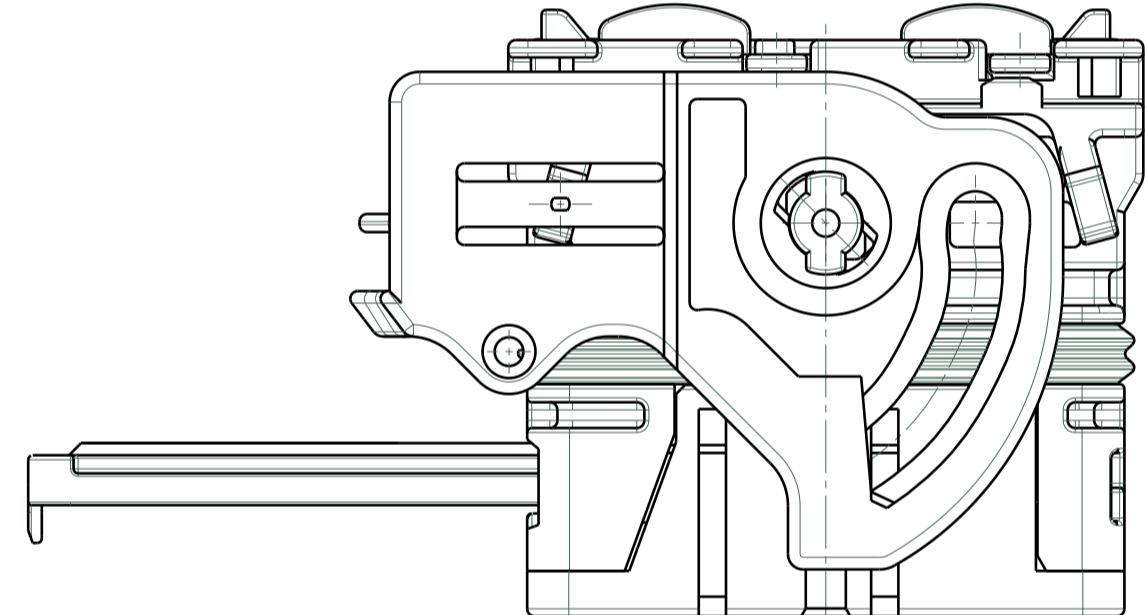
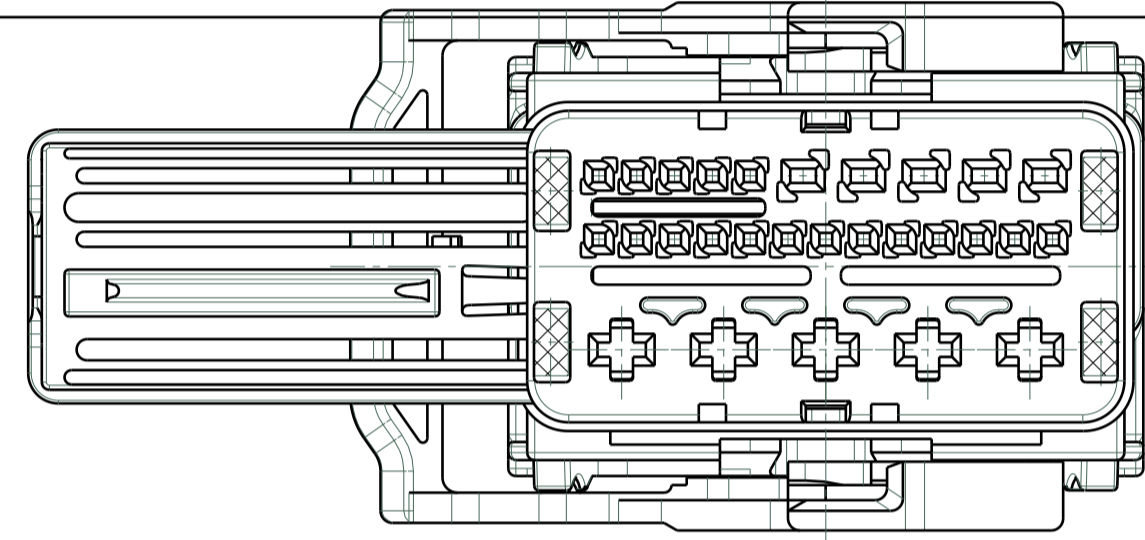
26 E  $\begin{matrix} +0.1 \\ 0 \end{matrix}$  E  $\begin{matrix} +0.1 \\ 0 \end{matrix}$  28  
25 A  $\begin{matrix} 0 \\ -0.1 \end{matrix}$  B  $\begin{matrix} 0 \\ -0.1 \end{matrix}$  27



C-C  
LOCKING LEVER NOT SHOWN

CONNECTOR OVERALL DIMENSIONS:  
SECONDARY LOCKING FULLY OPENED  
FOR TERMINAL INSERTION

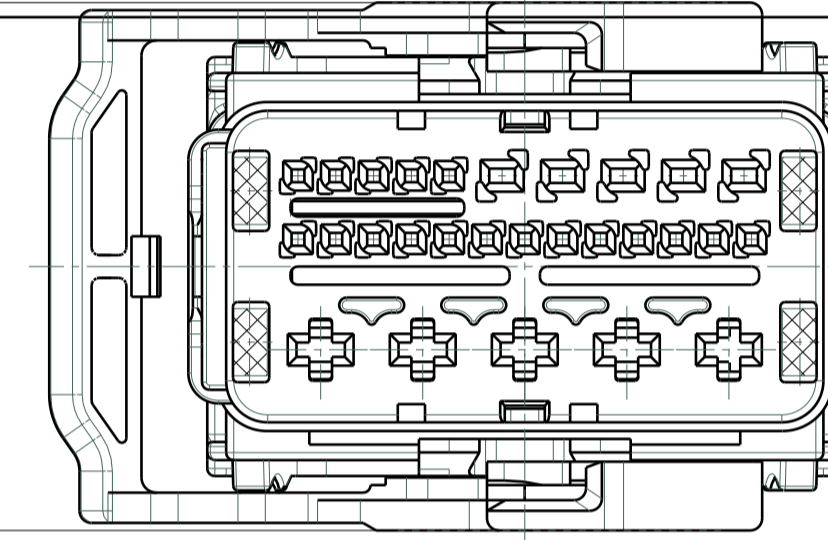
LEFT WIRE OUTPUT



CONNECTOR OVERALL DIMENSIONS:  
SECONDARY LOCKING IN  
DELIVERY POSITION

LEFT WIRE OUTPUT

35.25MAX  
41



12.3MAX 43

53.2MAX 42

COLOR	KEYING	A	B	C	D	E
BLACK	1	8.4	4.8	8.4	4.8	1.8
GREY	2	8.4	6.6	6.6	6.6	1.8
BROWN	3	8.4	8.4	4.8	10.2	1.8

TERMINALS USED							
CAVITIES ID.	TERMINALS (Section mm <sup>2</sup> )	REVIETEMENT PLATING	MOLEX P/N	WIRE SEAL	WIRE INSULATION DIAMETER		
6 to 23	CP 0.6 (0.35mm <sup>2</sup> to 0.44mm <sup>2</sup> )	Tin plated	0643221019		Ø1.25 min / Ø1.40 Max		
		Gold plated	0643221229				
	CP 0.6 (0.5mm <sup>2</sup> )	Tin plated	0643221039				
		Gold plated	0643221239				
24 to 28	CP 0.6 (0.75mm <sup>2</sup> )	Tin plated	0643221029		Ø1.40 min / Ø1.90 Max		
		Gold plated	0643221219				
	CP 1.5 (0.5mm <sup>2</sup> to 1mm <sup>2</sup> )	Tin plated	0643231029				
		Gold plated	0643231319				
1 to 5	CP 1.5 (>1mm <sup>2</sup> to 2mm <sup>2</sup> )	Tin plated	0643231039		Ø2.10 min / Ø2.80 Max		
		Gold plated	0643231219				
	CP 2.8 (>0.5mm <sup>2</sup> to 1mm <sup>2</sup> )	Tin plated	0643241049			0643251332	Ø1.40 min / Ø2.15 Max
		Gold plated	0643241149				
	CP 2.8 (>1mm <sup>2</sup> to 2mm <sup>2</sup> )	Tin plated	0643241039	0643251345	Ø2.10 min / Ø2.80 Max		
		Gold plated	0643241139				
	CP 2.8 (>2mm <sup>2</sup> to 3mm <sup>2</sup> )	Tin plated	0643241029			0643251358	Ø2.65 min / Ø3.45 Max
		Gold plated	0643241129				
	CP 2.8 (>3mm <sup>2</sup> to 5mm <sup>2</sup> )	Tin plated	0643241019	0643251366	Ø3.40 min / Ø4.00 Max		
		Gold plated	0643241119				

WIRE SEAL P/N UPD. EC NO: G2012-0068 DRAWN: PBOUSSAIN 2010/06/15 CHK'D: OPLESSIS 2011/11/17 APPR.: CBOUCHAN 2011/11/17	QUALITY SYMBOLS ▽=0 ▽=0	GENERAL TOLERANCES (UNLESS SPECIFIED)		DIMENSION STYLE MM ONLY	SCALE 2:1	DESIGN UNITS METRIC	FIRST ANGLE PROJECTION	
		mm	INCH	DRAWN BY TBADAROUX	DATE 2007/09/25	TITLE CMC CONNECTOR 28 CKT POWER MAT SEAL VERSION		
		4 PLACES ±	±	CHECKED BY OPLESSIS	DATE 2007/09/25	MOLEX MOLEX INCORPORATED		
		3 PLACES ±	±	APPROVED BY CBOUCHAN	DATE 2007/09/25	MATERIAL NO. SEE CHART	DOCUMENT NO. SD-64318-001	SHEET NO. 2 OF 2
DRAFT WHERE APPLICABLE MUST REMAIN WITHIN DIMENSIONS		SIZE A1	THIS DRAWING CONTAINS INFORMATION THAT IS PROPRIETARY TO MOLEX INCORPORATED AND SHOULD NOT BE USED WITHOUT WRITTEN PERMISSION					