



Chipsmall Limited consists of a professional team with an average of over 10 year of expertise in the distribution of electronic components. Based in Hongkong, we have already established firm and mutual-benefit business relationships with customers from,Europe,America and south Asia,supplying obsolete and hard-to-find components to meet their specific needs.

With the principle of “Quality Parts,Customers Priority,Honest Operation,and Considerate Service”,our business mainly focus on the distribution of electronic components. Line cards we deal with include Microchip,ALPS,ROHM,Xilinx,Pulse,ON,Everlight and Freescale. Main products comprise IC,Modules,Potentiometer,IC Socket,Relay,Connector.Our parts cover such applications as commercial,industrial, and automotives areas.

We are looking forward to setting up business relationship with you and hope to provide you with the best service and solution. Let us make a better world for our industry!



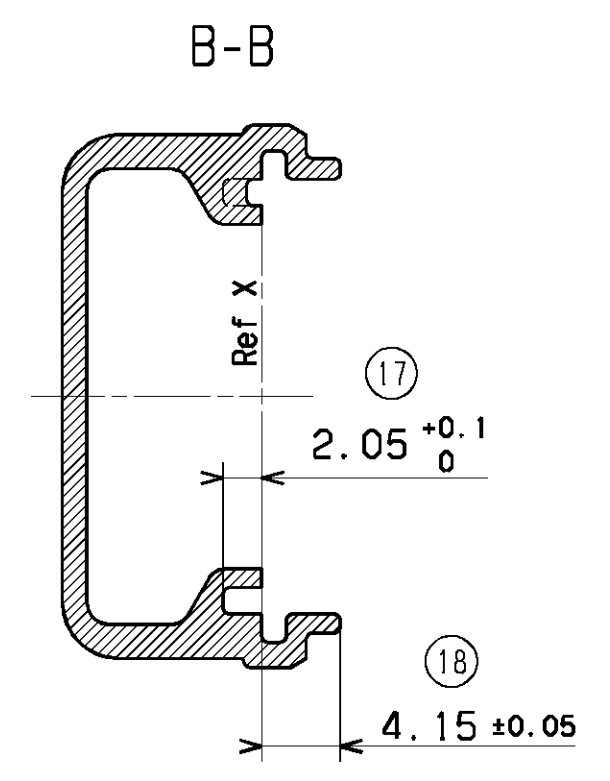
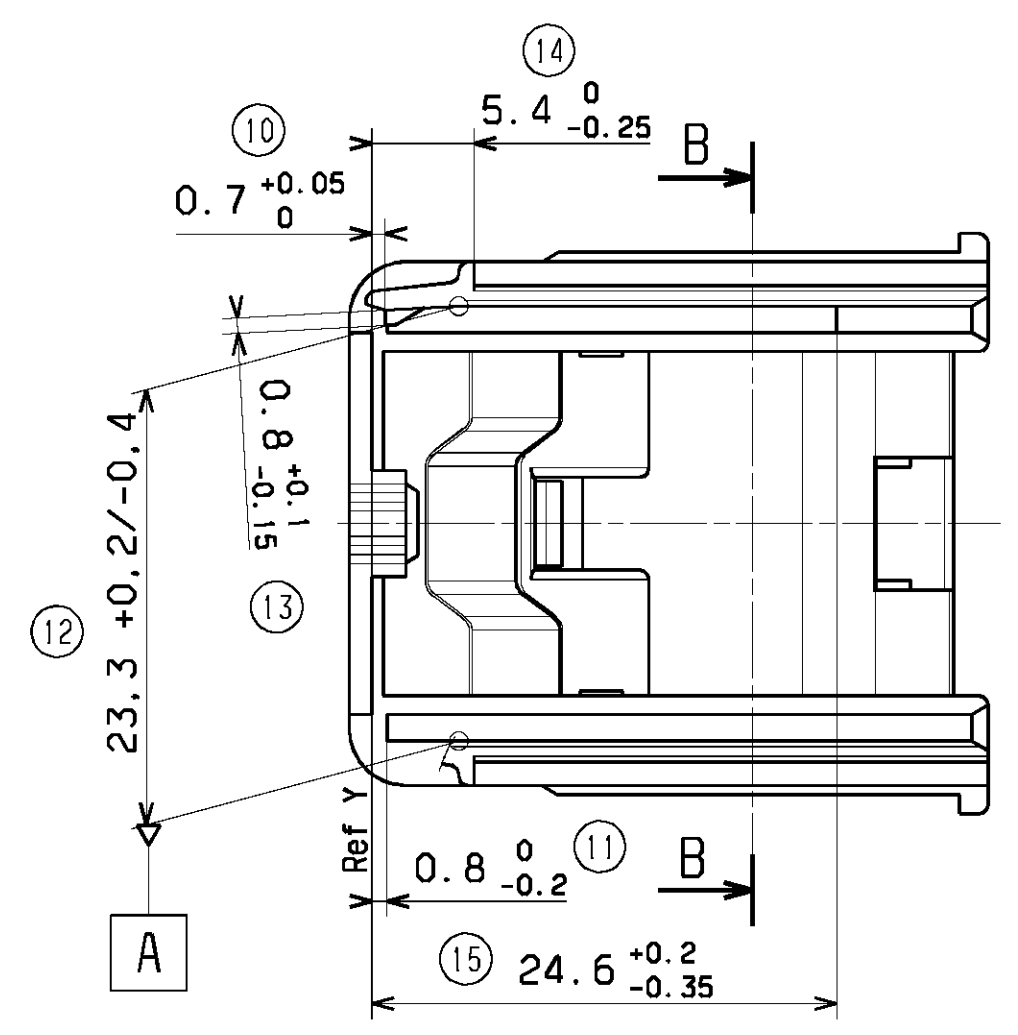
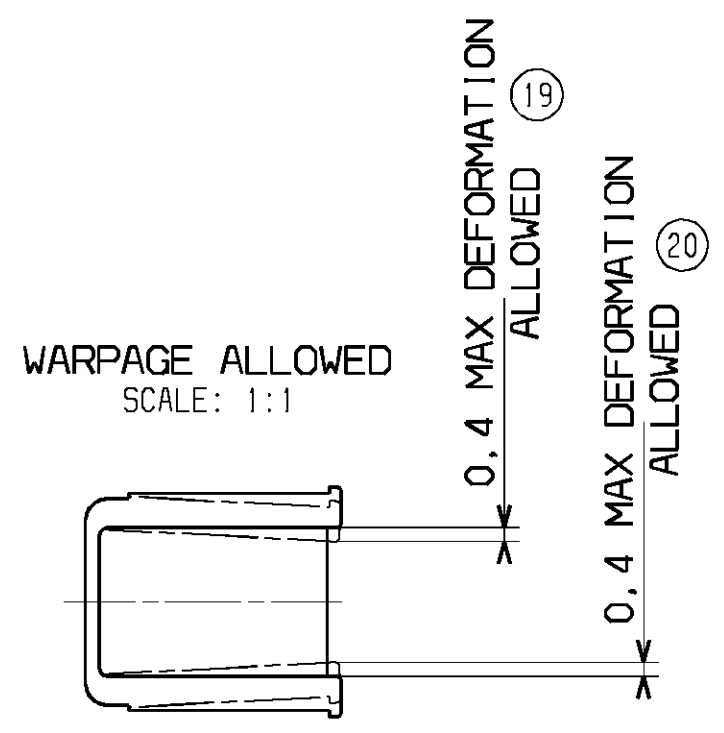
Contact us

Tel: +86-755-8981 8866 Fax: +86-755-8427 6832

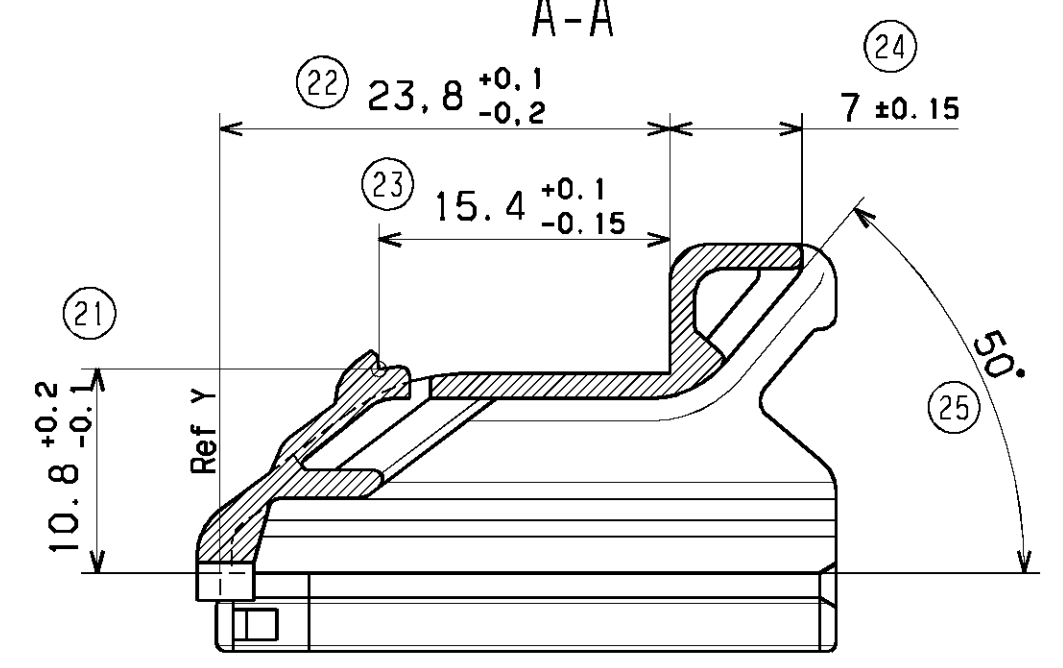
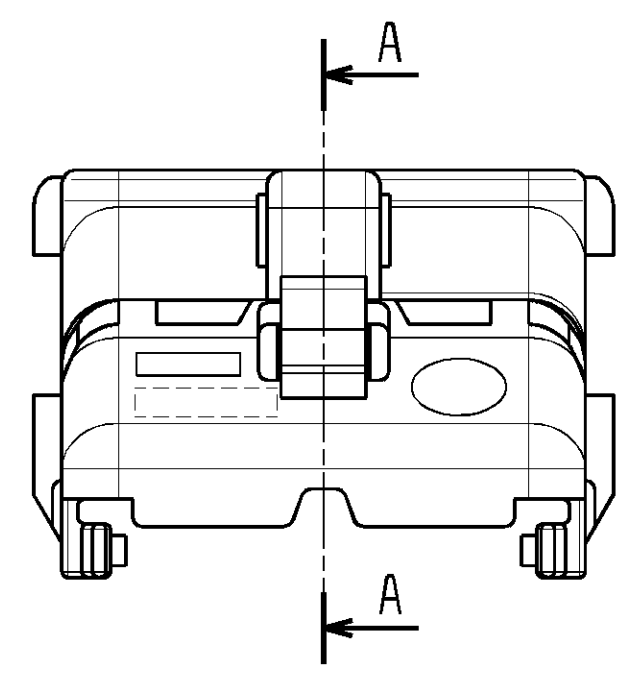
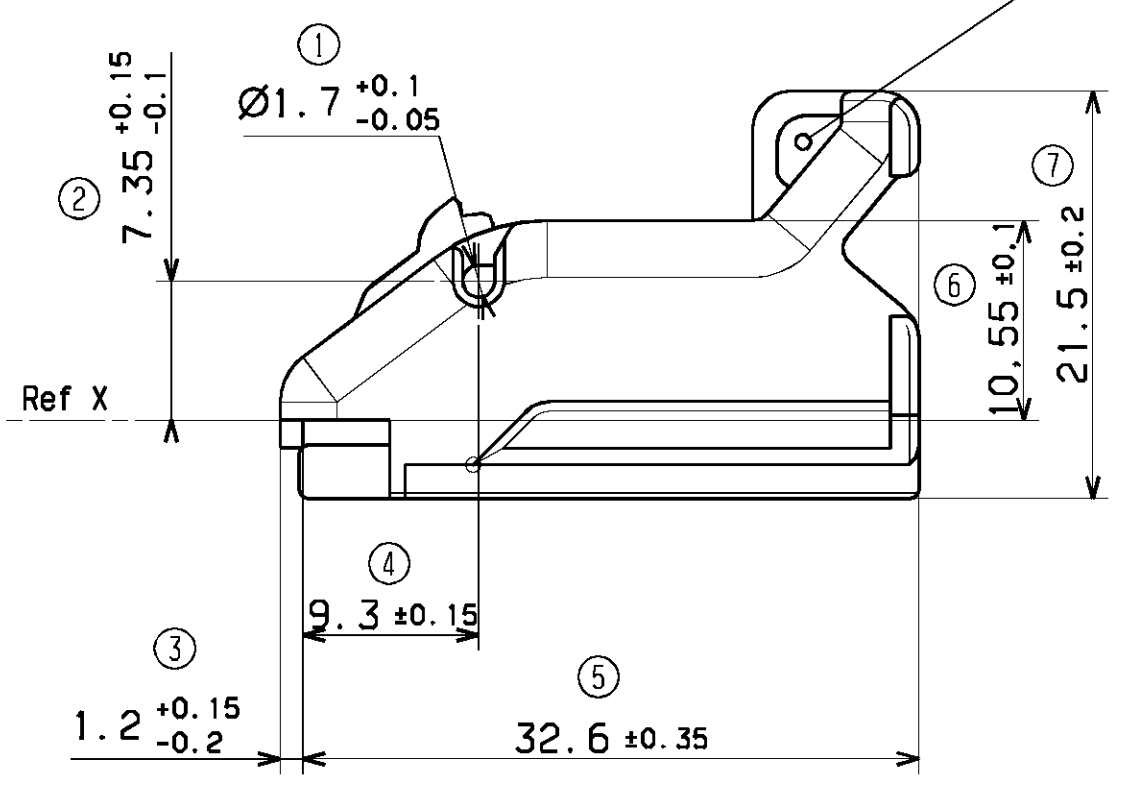
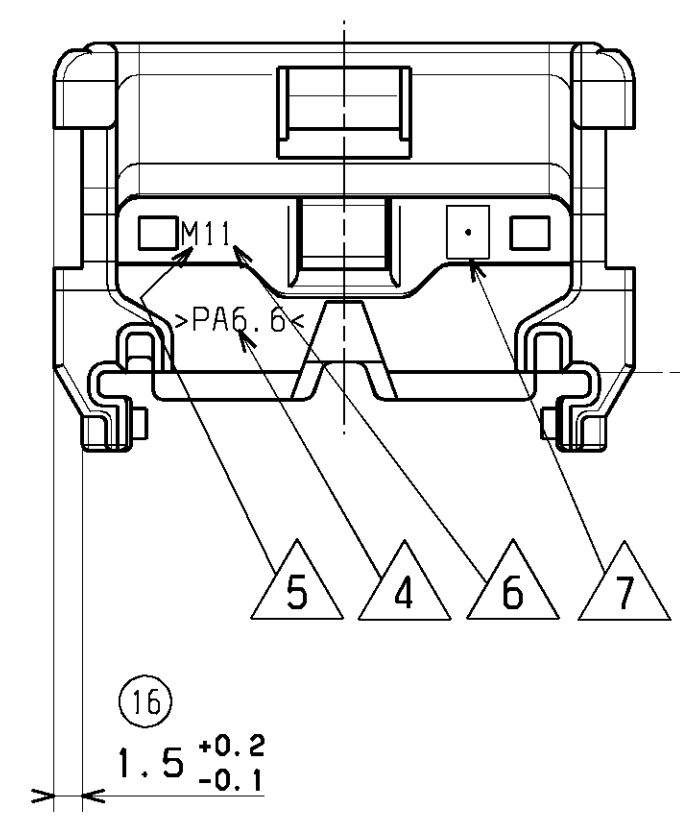
Email & Skype: info@chipsmall.com Web: www.chipsmall.com

Address: A1208, Overseas Decoration Building, #122 Zhenhua RD., Futian, Shenzhen, China





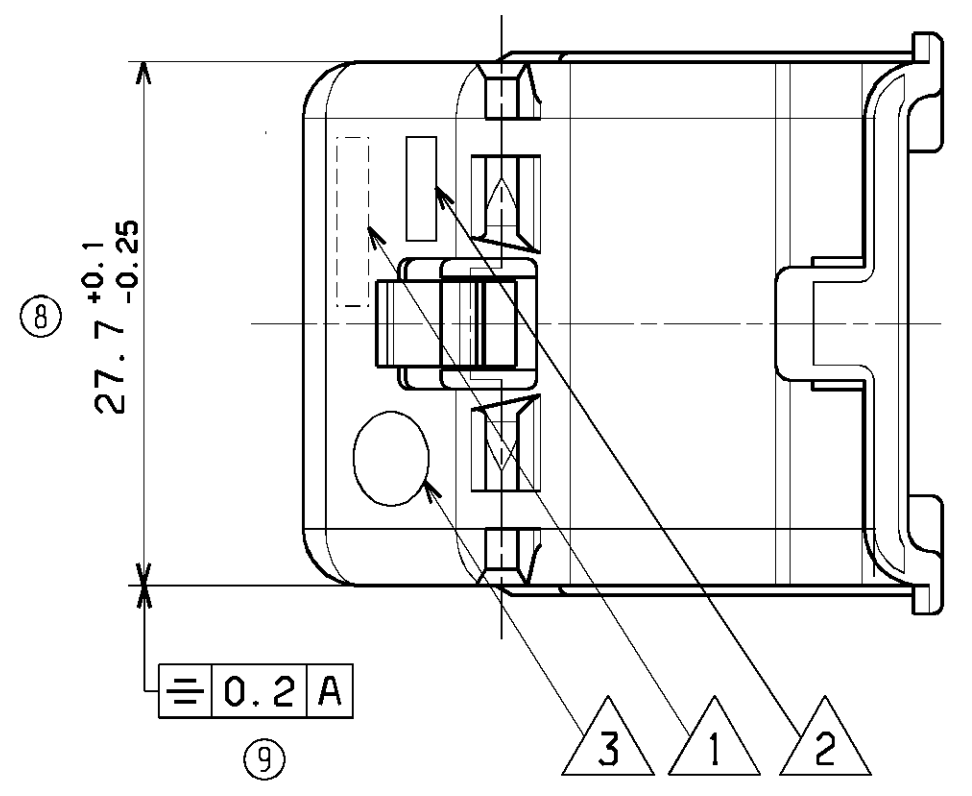
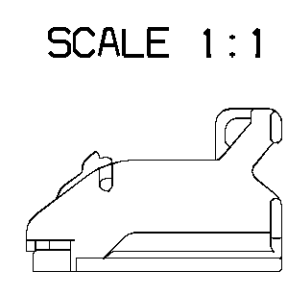
This hole accept a cable-tie
maximum section of 3,2x1,2mm



MARKINGS

1	Supplier identification
2	Supplier part number
3	Date MONTH/YEAR
4	Material
5	Mould identification M1 ou M2
6	Print identification (number)
7	Revision level identification

- NOTES
- 1-MATERIAL : PA 6.6 BLACK heat stabilized
 - 2-DELIVERED PRODUCT WEIGHT: 3,6 g
 - 3-RELATED COUNTERPART FEMALE CONNECTORS (32WAY)



UPDATED DRAWING EC NO: G2008-0367 DRWN: TBADAROUX 2008/05/16 CH *KD: PGRANDCL 2008/05/16 APPR: CBOUCHAN 2008/05/16	GENERAL TOLERANCES (UNLESS SPECIFIED)		DIMENSION STYLE MM ONLY		SCALE 2,5:1	DESIGN UNITS METRIC	FIRST ANGLE PROJECTION		
	4 PLACES ±	±	mm	INCH	DRAWN BY TBADAROUX		DATE 2007/07/16		
	3 PLACES ±	±			CHECKED BY PGANDCLAUDE		DATE 2007/07/16		
	2 PLACES ± 0.1	±			APPROVED BY CBOUCHAN		DATE 2007/07/16		
1 PLACE ± 0.1 ±		ANGULAR ± 2 °		MATERIAL NO. 0643191201		DOCUMENT NO. SD-64319-002		SHEET NO. 1 OF 1	
DRAFT WHERE APPLICABLE MUST REMAIN WITHIN DIMENSIONS				SIZE A2		THIS DRAWING CONTAINS INFORMATION THAT IS PROPRIETARY TO MOLEX INCORPORATED AND SHOULD NOT BE USED WITHOUT WRITTEN PERMISSION			