



Chipsmall Limited consists of a professional team with an average of over 10 year of expertise in the distribution of electronic components. Based in Hongkong, we have already established firm and mutual-benefit business relationships with customers from,Europe,America and south Asia,supplying obsolete and hard-to-find components to meet their specific needs.

With the principle of “Quality Parts,Customers Priority,Honest Operation,and Considerate Service”,our business mainly focus on the distribution of electronic components. Line cards we deal with include Microchip,ALPS,ROHM,Xilinx,Pulse,ON,Everlight and Freescale. Main products comprise IC,Modules,Potentiometer,IC Socket,Relay,Connector.Our parts cover such applications as commercial,industrial, and automotives areas.

We are looking forward to setting up business relationship with you and hope to provide you with the best service and solution. Let us make a better world for our industry!



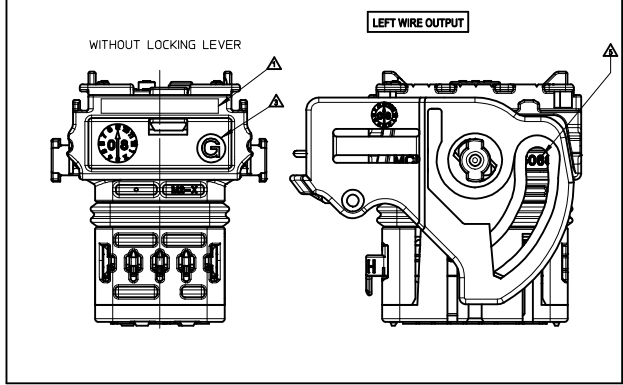
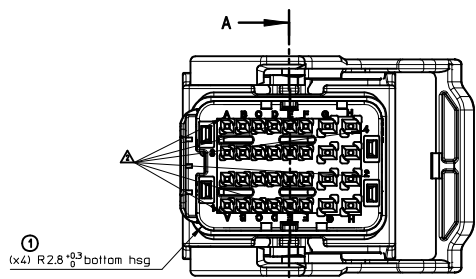
Contact us

Tel: +86-755-8981 8866 Fax: +86-755-8427 6832

Email & Skype: info@chipsmall.com Web: www.chipsmall.com

Address: A1208, Overseas Decoration Building, #122 Zhenhua RD., Futian, Shenzhen, China



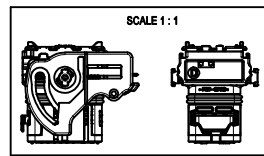
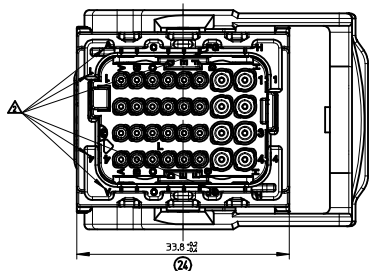
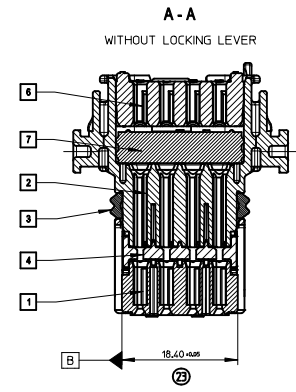
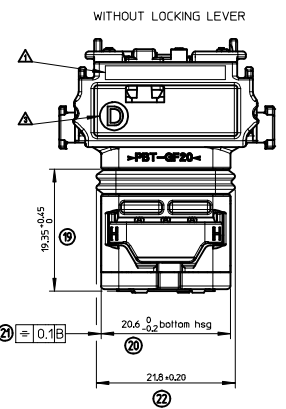
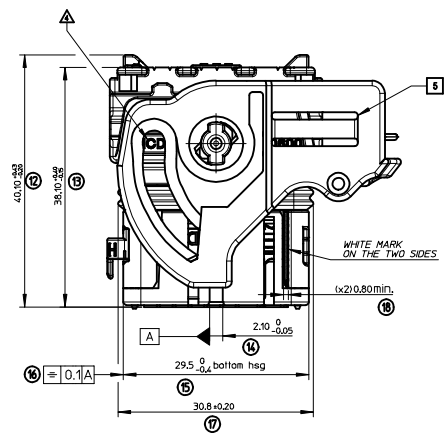
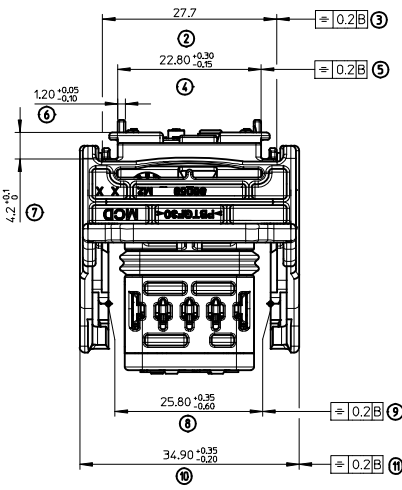


LEFT WIRE OUTPUT

MATERIAL NUMBER	COLOR
0643191211	BLACK
0643191218	GREY
0643191219	BROWN
0643191216	BLUE

RIGHT WIRE OUTPUT

MATERIAL NUMBER	COLOR
0643193211	BLACK
0643193218	GREY
0643193219	BROWN
0643193216	BLUE



NOTES:

- 1-FOR ILLUSTRATION PURPOSE THE FEMALE HOUSING SHOWN IS THE RIGHT WIRE OUTPUT VERSION CODING 1
- 2-APPLICATION SPECIFICATION: AS-64319-002
- 3-WIRES EXTERNAL DIAMETER USED:
FOR CP0.6 TERMINAL: USE WIRES WITH AN EXTERNAL DIAMETER BETWEEN Ø1.25MM MIN AND Ø1.90MM MAX
FOR CP1.5 TERMINAL: USE WIRES WITH AN EXTERNAL DIAMETER BETWEEN Ø1.40MM MIN AND Ø2.80MM MAX
- 4-THE CONNECTOR FITS WITH WIRE CAP (32 WAY) MOLEX P/N 0643191201
- 5-BLIND PLUG FOR CP 0.6 AND 15 CAVITIES (MOLEX P/N 0643251010 AND 0643251023) MUST BE USED ON THIS PART.
- 6-DELIVERED PRODUCT WEIGHT: 27.6 g

POS.	DESIGNATION	MATERIAL	COLOR
17	MAT SEAL	Silicon	RED
4	BACK GRID 32W	>PBT-GF20<	GREY
8	LOCKING LEVER 32W	>PBT-GF30<	BLACK
4	SECONDARY LOCK	>PBT-GF20<	GREEN
2	PERIPHERAL SEAL 32W	Silicon	BLUE
2	BACK PART	>PBT-GF20<	BLACK
1	FRONT PART	>PBT-GF20<	COLOR LINKED TO KEYS

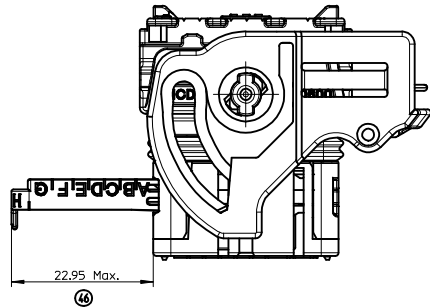
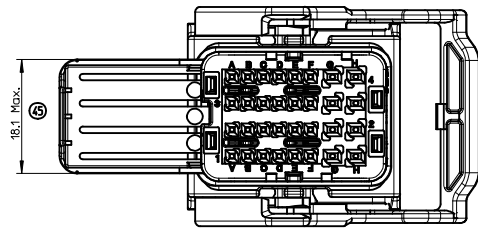
MARKINGS :

- △ - Assembled part traceability:
Year + Day
- △ - Terminal cavities identification
- △ - Lever position indicator:
"D" LETTER VISIBLE = "RIGHT WIRE OUTPUT"
"G" LETTER VISIBLE = "LEFT WIRE OUTPUT"
- △ - Supplier identification
- △ - Material identification

APPL. SPEC. CHANGED EC NO: G2076-0064 G DRIVINGPLESSIS 2015/11/30 CHYKDPURBIN 2015/12/01 APPR:BOUCHAN 2015/12/02 REV DESCRIPTION	QUALITY SYMBOLS ▽ → ▽ → ▽ →	GENERAL TOLERANCES (UNLESS SPECIFIED) m/m INCH 4 PLACES ± --- ± --- 3 PLACES ± --- ± --- 2 PLACES ± 0.1 ± --- 1 PLACE ± 0.1 ± --- 0 PLACE ± --- ± ---	DIMENSION STYLE MM ONLY DRAWN BY DATE T. BADAROUX 2007/07/16 CHECKED BY DATE P. GRANDCLAUD 2007/07/16 APPROVED BY DATE C. BOUCHAN 2007/07/16	SCALE 2.5:1 DESIGN UNITS METRIC	FIRST ANGLE PROJECTION		
		DRAFT WHERE APPLICABLE MUST REMAIN WITHIN DIMENSIONS			SEE CHARTS	MATERIAL NO. DOCUMENT NO. SD-64319-001	SHEET NO. 1 OF 2
		THIS DRAWING CONTAINS INFORMATION THAT IS PROPRIETARY TO MOLEX INCORPORATED AND SHOULD NOT BE USED WITHOUT WRITTEN PERMISSION					
		TITLE CMC CONNECTOR 32 WAY MAT SEAL VERSION					

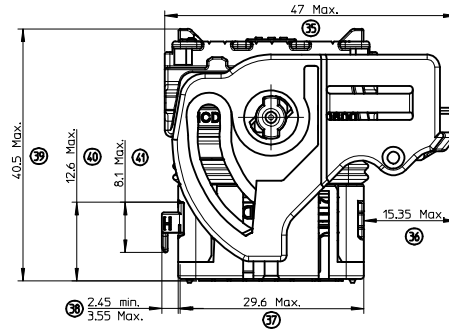
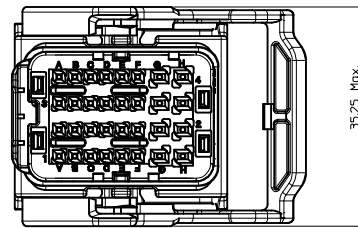
CONNECTOR OVERALL DIMENSIONS:
SECONDARY LOCKING FULLY OPENED
FOR TERMINALS INSERTION

RIGHT WIRE OUTPUT



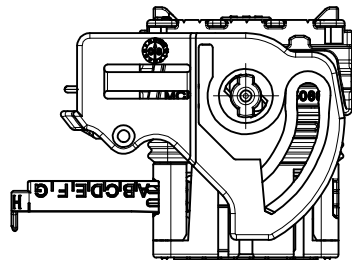
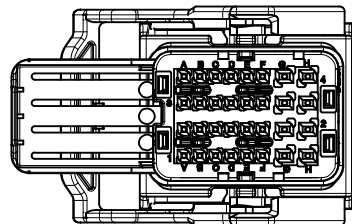
CONNECTOR OVERALL DIMENSIONS:
SECONDARY LOCKING IN DELIVERY
POSITION

RIGHT WIRE OUTPUT



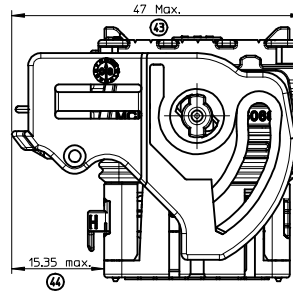
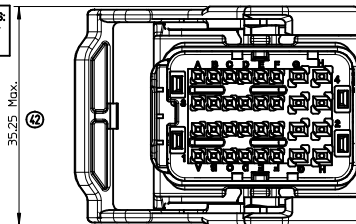
CONNECTOR OVERALL DIMENSIONS:
SECONDARY LOCKING FULLY OPENED
FOR TERMINALS INSERTION

LEFT WIRE OUTPUT

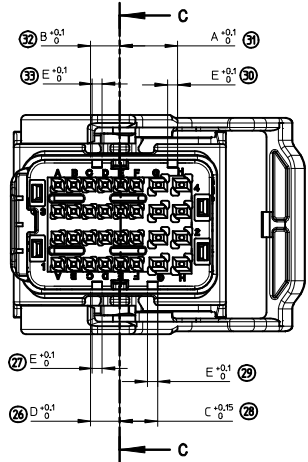


CONNECTOR OVERALL DIMENSIONS:
SECONDARY LOCKING IN DELIVERY
POSITION

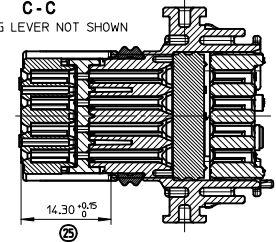
LEFT WIRE OUTPUT



CODING POSITION



C - C
LOCKING LEVER NOT SHOWN



COLOR	CODING	A	B	C	D	E
BLACK	1	9.2	4.4	6	4.4	1.6
GREY	2	7.6	6	9.2	6	1.6
BROWN	3	6	7.6	9.2	9.2	1.6
BLUE	5	4.4	7.6	6	6	1.6

TERMINALS USED

CAVITY N°	FEMALE TERMINALS (Section mm2)	PLATING	MOLEX PIN#	min / MAX WIRE INSULATION DIAMETER (mm)
A1 to F1 A2 to F2 A3 to F3 A4 to F4	CP 0.6 0.35mm2	Tin plated Gold plated	0643221019 0643221229	Ø1.25 min / Ø1.40 Max
	CP 0.6 0.5mm2	Tin plated Gold plated	0643221039 0643221239	Ø1.40 min / Ø1.70 Max
	CP 0.6 0.75mm2	Tin plated Gold plated	0643221029 0643221219	Ø1.60 min / Ø1.90 Max
	CP 1.5 0.5mm2 to 1mm2	Tin plated Gold plated	0643231029 0643231319	Ø1.40 min / Ø2.15 Max
G1 to H4 G1 to H4	CP 1.5 >1mm2 to 2mm2	Tin plated Gold plated	0643231039 0643231219	Ø2.10 min / Ø2.80 Max

APPL. SPEC. CHANGED EC NO: G2016-0064 DRAWN: GLESSIS 2015/11/30 CHECKED: GORBIN 2015/12/01 APPR: BOUCHAN 2015/12/02 G	QUALITY SYMBOLS 	GENERAL TOLERANCES (UNLESS SPECIFIED)	DIMENSION STYLE MM ONLY	SCALE 2.5:1	DESIGN UNITS METRIC	FIRST ANGLE PROJECTION		
		4 PLACES ± --- ± --- 3 PLACES ± --- ± --- 2 PLACES ± 0.1 ± --- 1 PLACE ± 0.1 ± --- 0 PLACE ± --- ± ---	mm INCH	DRAWN BY DATE T. BADAROUX 2007/07/16	CHECKED BY DATE P. GRANDCLAUD 2007/07/16	APPROVED BY DATE C. BOUCHAN 2007/07/16	TITLE CMC CONNECTOR 32 WAY MAT SEAL VERSION	SHEET NO. 2 OF 2
		ANGULAR ± 2 ° DRAFT WHERE APPLICABLE MUST REMAIN WITHIN DIMENSIONS	SEE SHEET 1	MATERIAL NO.	DOCUMENT NO. SD-64319-001	molex	INCORPORATED AND SHOULD NOT BE USED WITHOUT WRITTEN PERMISSION	