



Chipsmall Limited consists of a professional team with an average of over 10 year of expertise in the distribution of electronic components. Based in Hongkong, we have already established firm and mutual-benefit business relationships with customers from,Europe,America and south Asia,supplying obsolete and hard-to-find components to meet their specific needs.

With the principle of "Quality Parts,Customers Priority,Honest Operation,and Considerate Service",our business mainly focus on the distribution of electronic components. Line cards we deal with include Microchip,ALPS,ROHM,Xilinx,Pulse,ON,Everlight and Freescale. Main products comprise IC,Modules,Potentiometer,IC Socket,Relay,Connector.Our parts cover such applications as commercial,industrial, and automotives areas.

We are looking forward to setting up business relationship with you and hope to provide you with the best service and solution. Let us make a better world for our industry!



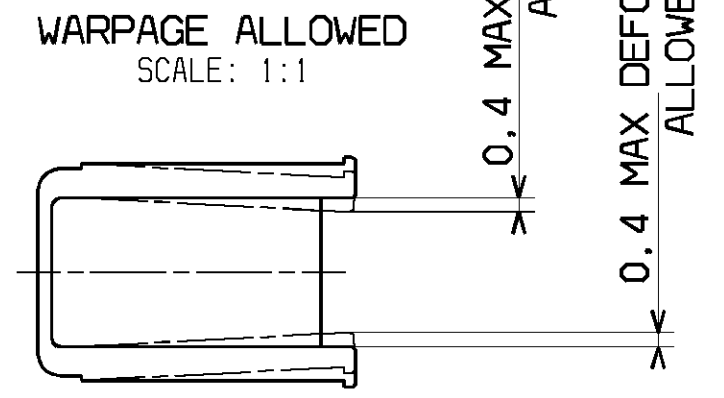
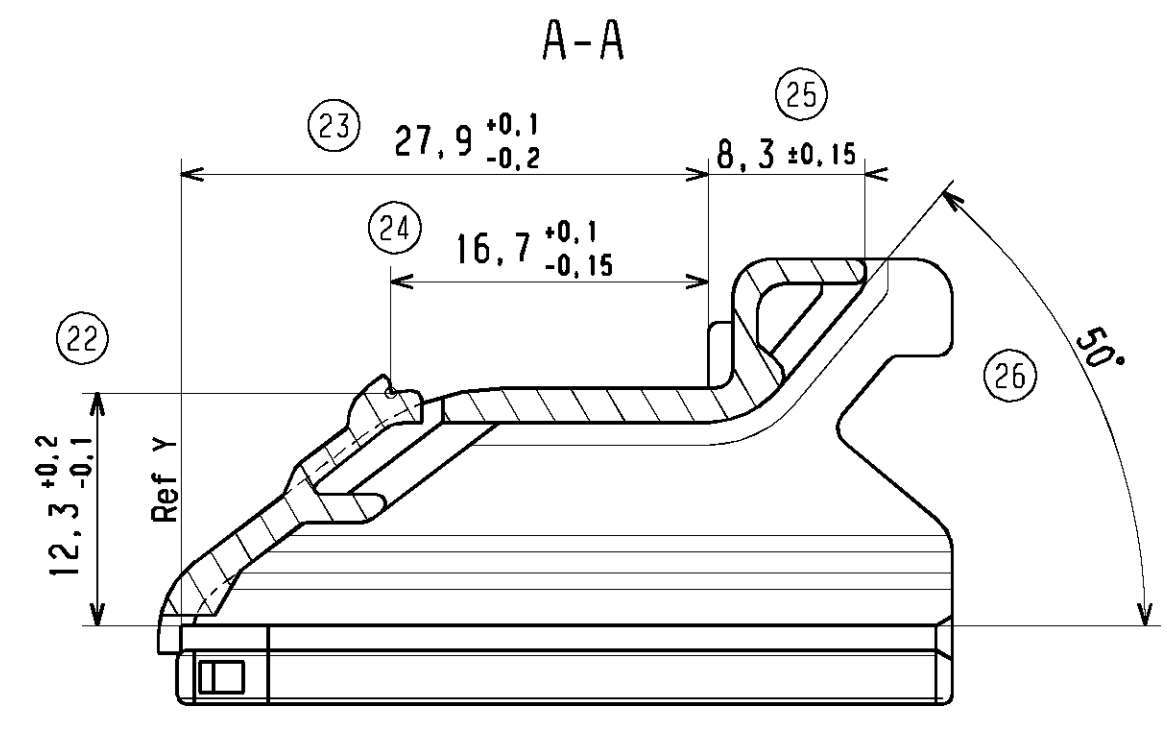
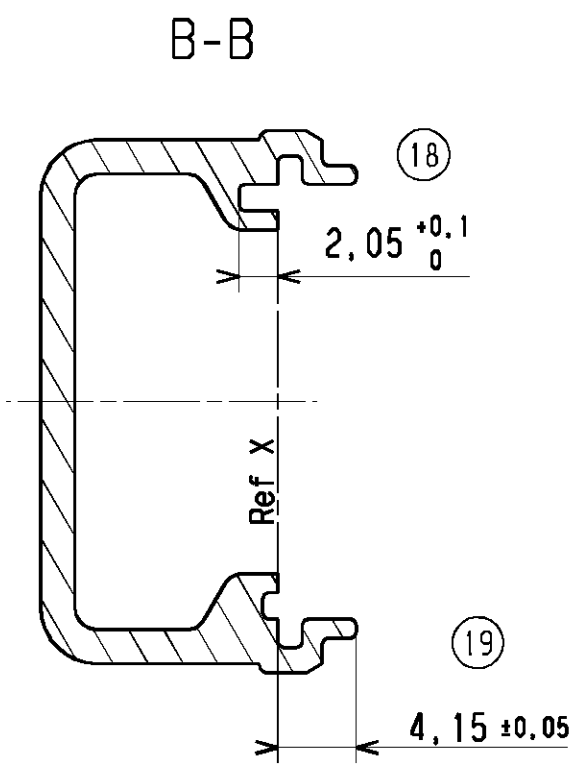
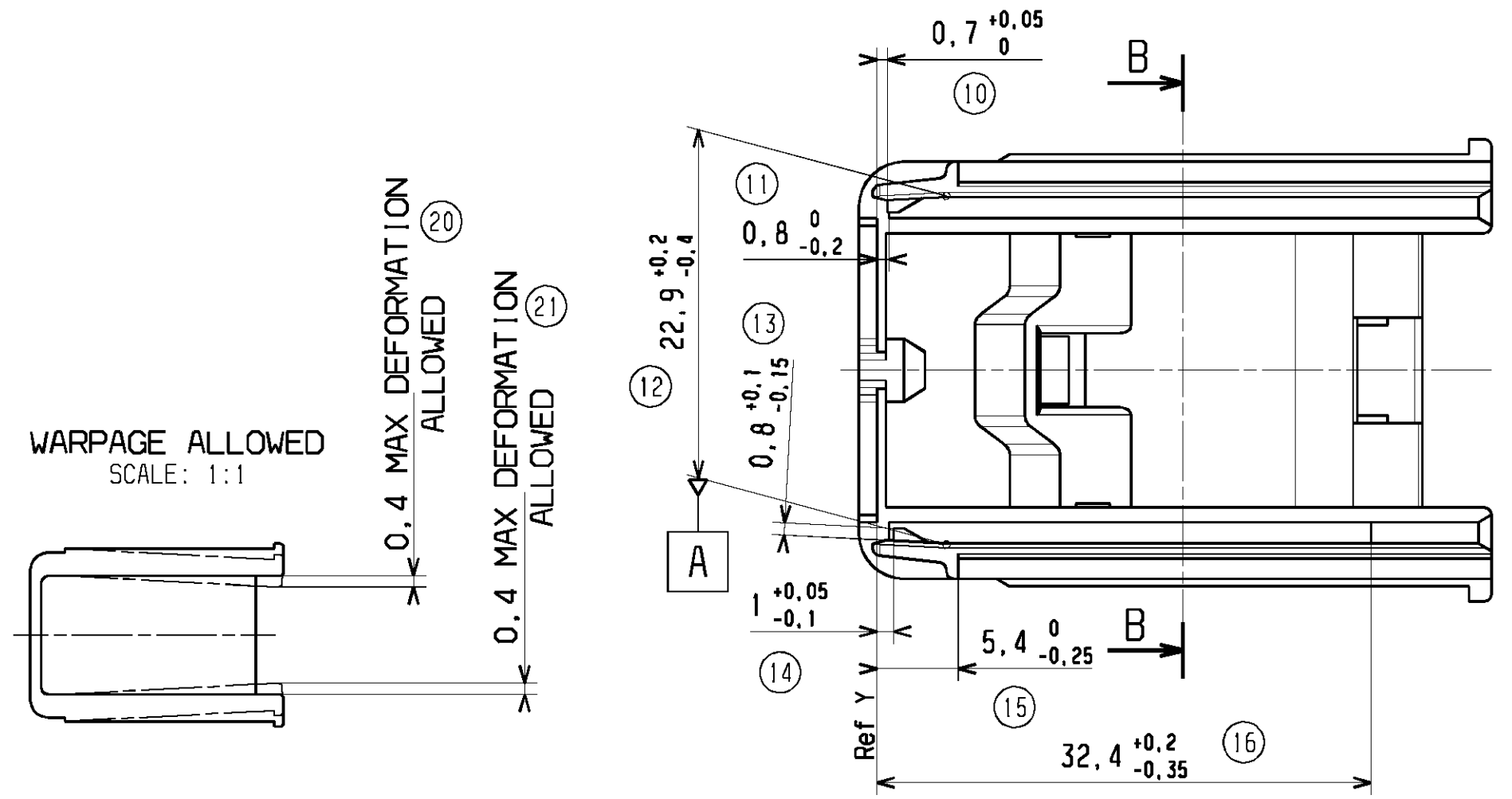
## Contact us

Tel: +86-755-8981 8866 Fax: +86-755-8427 6832

Email & Skype: info@chipsmall.com Web: www.chipsmall.com

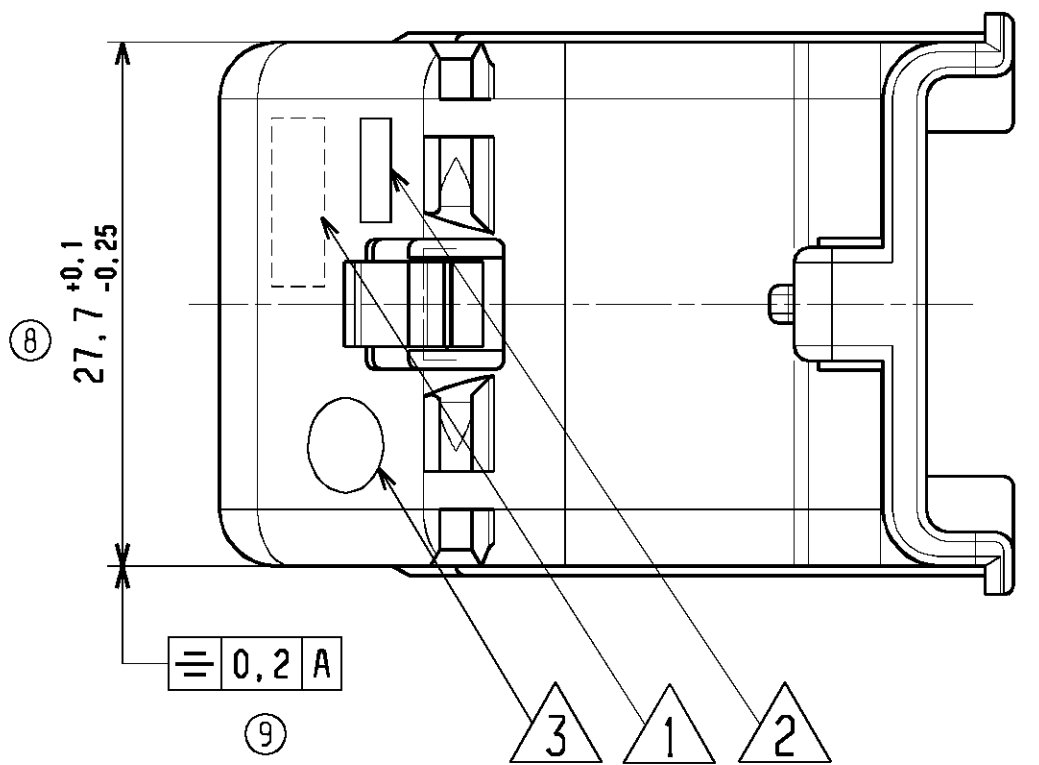
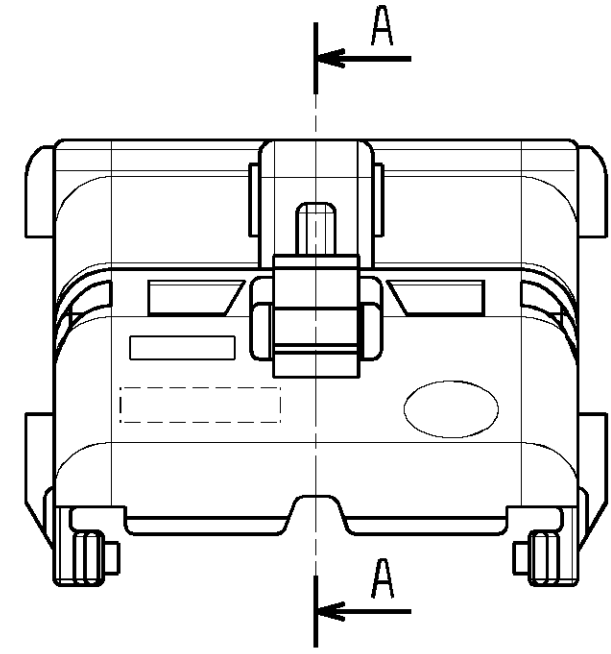
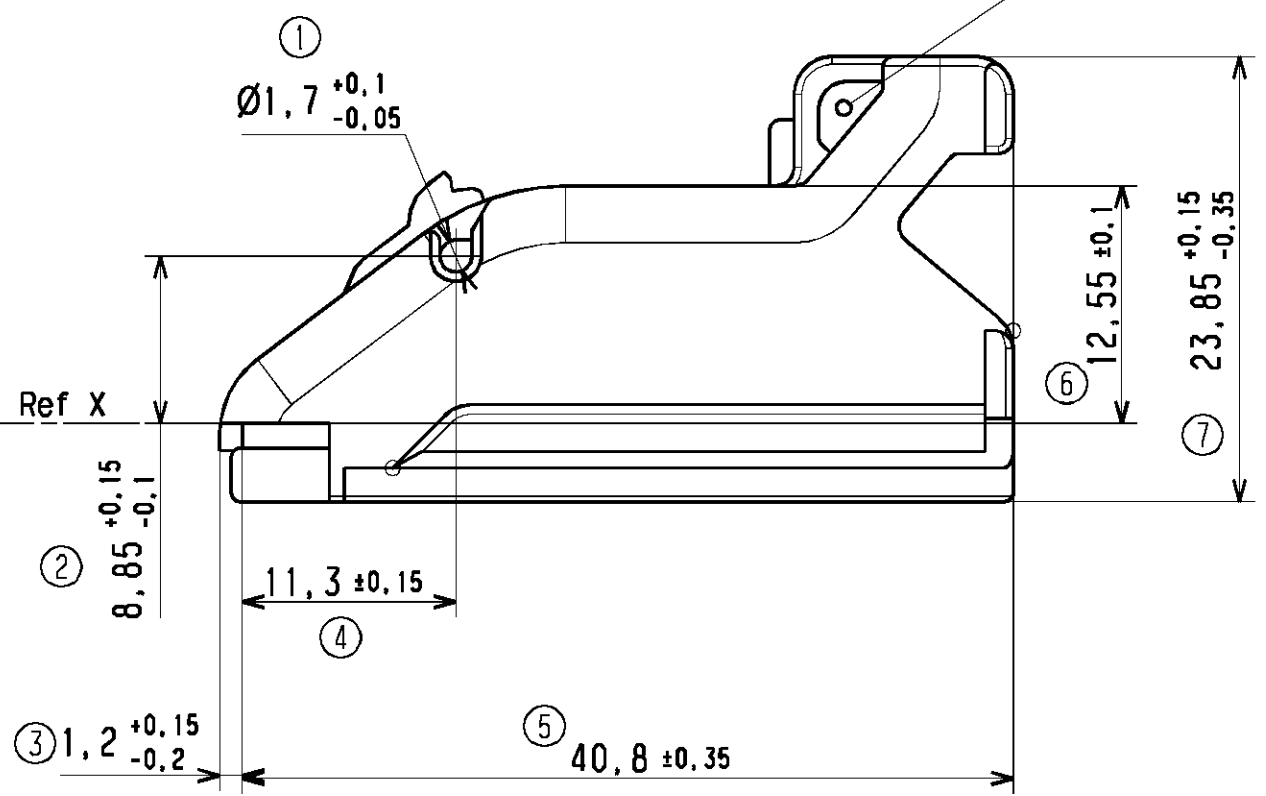
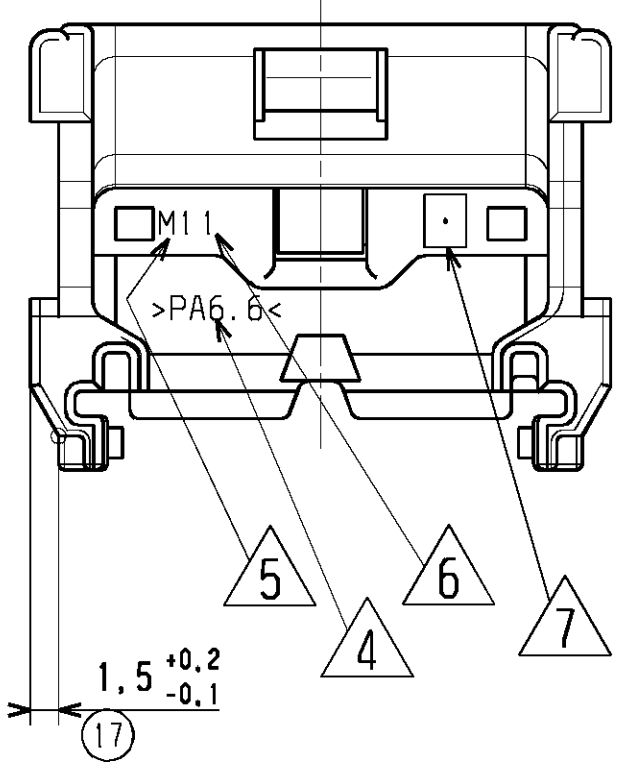
Address: A1208, Overseas Decoration Building, #122 Zhenhua RD., Futian, Shenzhen, China



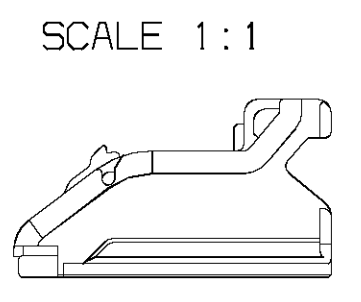


This hole accept a cable-tie maximum section 3,2x1,2mm

MARKINGS	
①	Supplier identification
②	Supplier part number
③	Date MONTH/YEAR
④	Material
⑤	Mould identification M1 ou M2
⑥	Print identification (number)
⑦	Revision level identification



- NOTES
- 1-MATERIAL : PA 6.6 BLACK heat stabilized
  - 2-DELIVERED PRODUCT WEIGHT: 5.0 g
  - 3-RELATED COUNTERPART FEMALE CONNECTORS (48WAY)



UPDATED DRAWING EC NO:G2008-0367 DRWN:TBADAROUX 2008/05/16 CH*KD:PGRANDCL 2008/05/16 APPR:CBOUCHAN 2008/05/16	GENERAL TOLERANCES (UNLESS SPECIFIED)		DIMENSION STYLE MM ONLY		SCALE 2,5:1	DESIGN UNITS METRIC	FIRST ANGLE PROJECTION	
	mm	INCH	DRAWN BY TBADAROUX	DATE 2007/07/16	TITLE WIRE CAP 48 WAY MAT SEAL VERSION			
	4 PLACES ±	±	CHECKED BY PGANDCLAUDE	DATE 2007/07/16	APPROVED BY CBOUCHAN			
	3 PLACES ±	±	DATE 2007/07/16		MATERIAL NO. 0643201301			
	2 PLACES ±	0.1	DATE 2007/07/16		DOCUMENT NO. SD-64320-002			
	1 PLACE ±	0.1	DATE 2007/07/16		SHEET NO. 1 OF 1			
	ANGULAR ± 2 °		MATERIAL NO. 0643201301		THIS DRAWING CONTAINS INFORMATION THAT IS PROPRIETARY TO MOLEX INCORPORATED AND SHOULD NOT BE USED WITHOUT WRITTEN PERMISSION			
DRAFT WHERE APPLICABLE MUST REMAIN WITHIN DIMENSIONS			SIZE A2					