



Chipsmall Limited consists of a professional team with an average of over 10 year of expertise in the distribution of electronic components. Based in Hongkong, we have already established firm and mutual-benefit business relationships with customers from,Europe,America and south Asia,supplying obsolete and hard-to-find components to meet their specific needs.

With the principle of "Quality Parts,Customers Priority,Honest Operation,and Considerate Service",our business mainly focus on the distribution of electronic components. Line cards we deal with include Microchip,ALPS,ROHM,Xilinx,Pulse,ON,Everlight and Freescale. Main products comprise IC,Modules,Potentiometer,IC Socket,Relay,Connector.Our parts cover such applications as commercial,industrial, and automotives areas.

We are looking forward to setting up business relationship with you and hope to provide you with the best service and solution. Let us make a better world for our industry!



Contact us

Tel: +86-755-8981 8866 Fax: +86-755-8427 6832

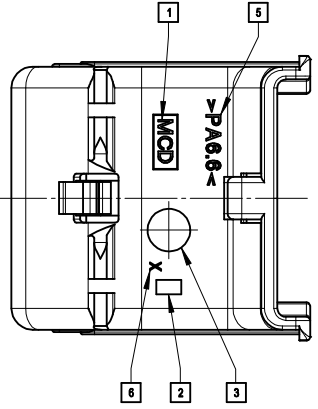
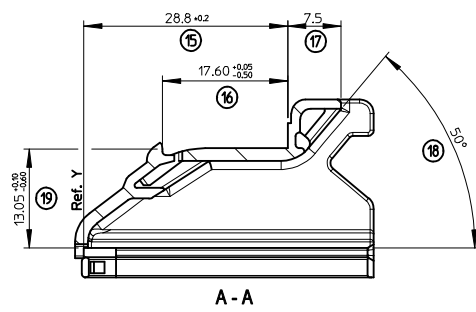
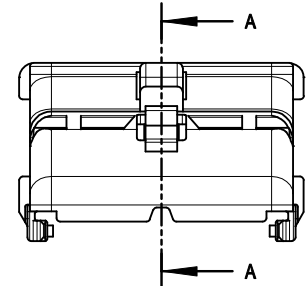
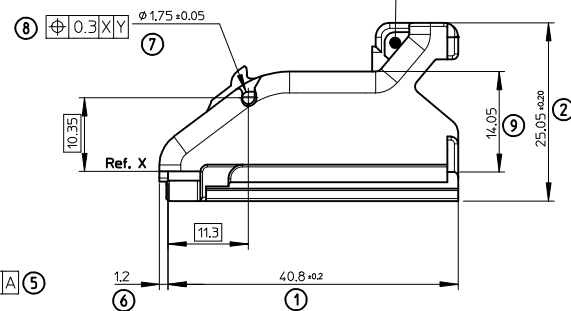
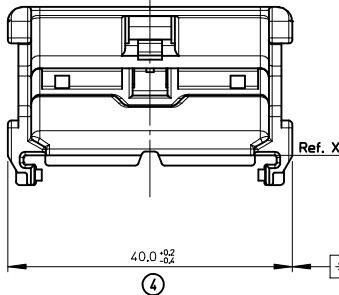
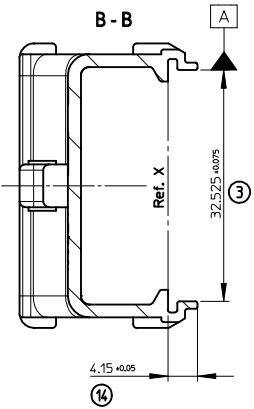
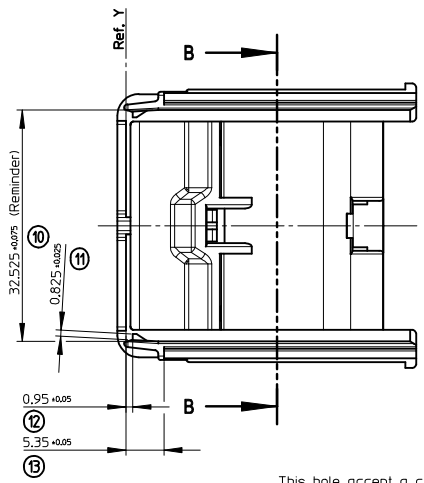
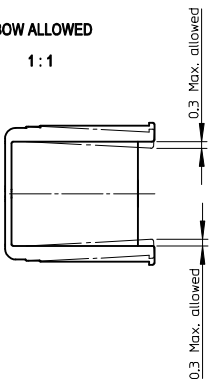
Email & Skype: info@chipsmall.com Web: www.chipsmall.com

Address: A1208, Overseas Decoration Building, #122 Zhenhua RD., Futian, Shenzhen, China

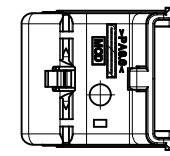
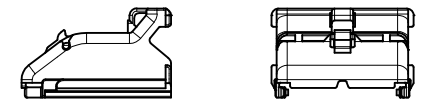
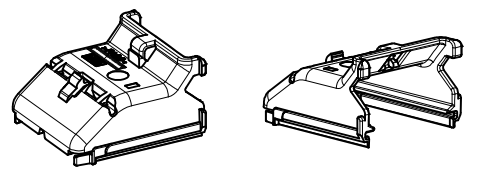


BOW ALLOWED

1:1



ISOMETRIC VIEWS



1:1

- MARKINGS:**
- 1 - Supplier Acronym: MCD
 - 2 - Revision Level
 - 3 - Datum Month/Year
 - 5 - Material
 - 8 - Preint Identification N°

- NOTES:**
- 1 -Material: >PA6.6< , Color: Black, Spec.: Heat Stabilized.
 - 2 -Delivered Product Weight: 6.000 g
 - 3 -Related Counterpart: Female Connector CMC 53 Ways.

INSPECTION BALLOON NUMBER LOG	
PER DRAWING REVISION:	B
LAST BALLOON NUMBER USED:	19
ADDED BALLOON NUMBERS:	
REMOVED BALLOON NUMBERS:	

B	- DELETE MARKING 4 - SUPPLIER ACRONYM MCD WAS MXG
A	FIRST RELEASE

MODIFY MARKINGS EC NO: G2013-0168 DRAWN BY: J. DESBRUERES CHKD: G. BOUCHAN APPR: O. PLESSIS 2012/12/18 2012/12/19 2013/01/10	DESCRIPTION [REDACTED]	GENERAL TOLERANCES (UNLESS SPECIFIED)		DIMENSION STYLE MM ONLY	SCALE 2:1	DESIGN UNITS METRIC	FIRST ANGLE PROJECTION
		4 PLACES ± --- ± --- 3 PLACES ± --- ± --- 2 PLACES ± 0.1 ± --- 1 PLACE ± 0.1 ± --- 0 PLACE ± 0.1 ± ---	mm INCH	DRAWN BY: G. DESBRUERES DATE: 2008/04/22	TITLE WIRE CAP CMC 53W		
		ANGULAR ± 2 ° DRAFT WHERE APPLICABLE MUST REMAIN WITHIN DIMENSIONS		CHECKED BY: O. PLESSIS DATE: 2008/04/22	APPROVED BY: L. STICKEIR DATE: 2008/04/23		
		MATERIAL NO. 0643211101		DOCUMENT NO. SD-64321-002	SHEET NO. 1 OF 1		