



Chipsmall Limited consists of a professional team with an average of over 10 year of expertise in the distribution of electronic components. Based in Hongkong, we have already established firm and mutual-benefit business relationships with customers from,Europe,America and south Asia,supplying obsolete and hard-to-find components to meet their specific needs.

With the principle of “Quality Parts,Customers Priority,Honest Operation,and Considerate Service”,our business mainly focus on the distribution of electronic components. Line cards we deal with include Microchip,ALPS,ROHM,Xilinx,Pulse,ON,Everlight and Freescale. Main products comprise IC,Modules,Potentiometer,IC Socket,Relay,Connector.Our parts cover such applications as commercial,industrial, and automotives areas.

We are looking forward to setting up business relationship with you and hope to provide you with the best service and solution. Let us make a better world for our industry!



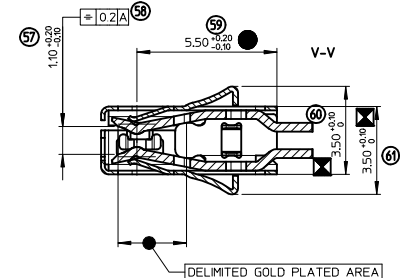
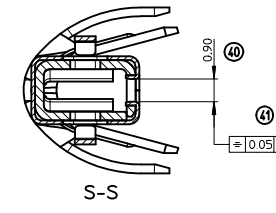
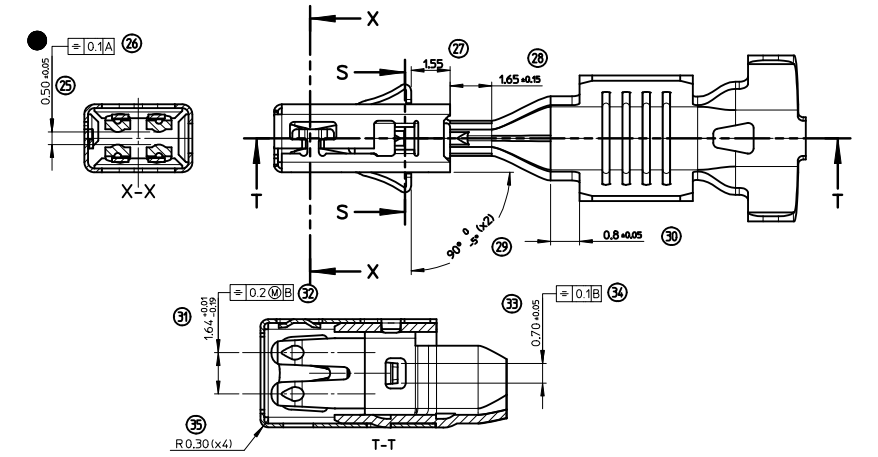
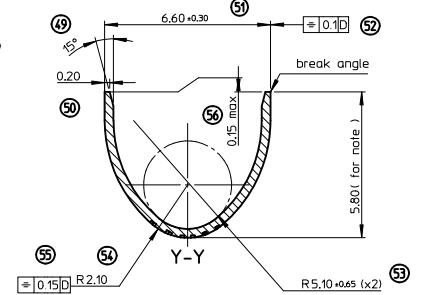
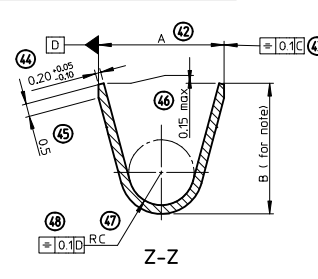
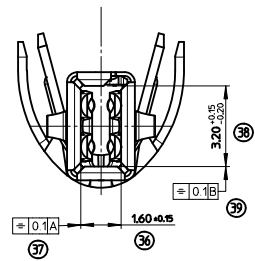
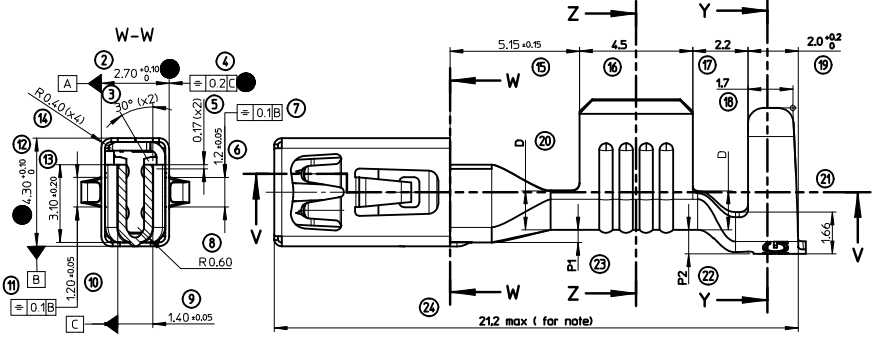
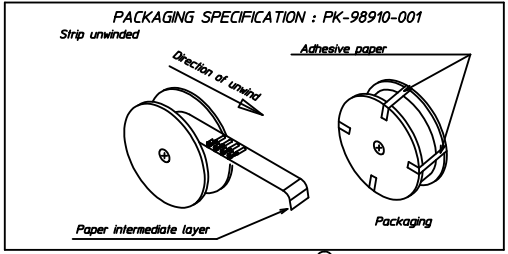
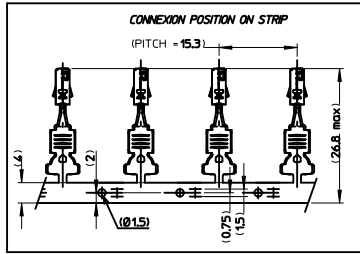
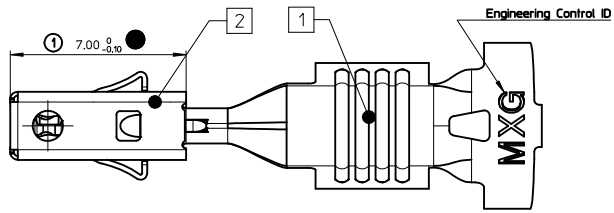
Contact us

Tel: +86-755-8981 8866 Fax: +86-755-8427 6832

Email & Skype: info@chipsmall.com Web: www.chipsmall.com

Address: A1208, Overseas Decoration Building, #122 Zhenhua RD., Futian, Shenzhen, China



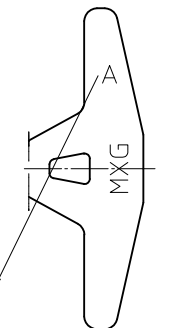


NOTE:
- CRIMPING SPECIFICATION ACCORDING TO AS-64324-001

2	BOX TERMINAL	STAINLESS STEEL thickness : 0.15 mm
1	BODY TERMINAL	HIGH CONDUCTIVITY COPPER ALLOY thickness : 0.35 mm
MARK	DESIGNATION	MATERIAL

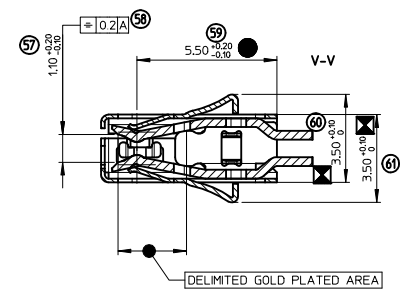
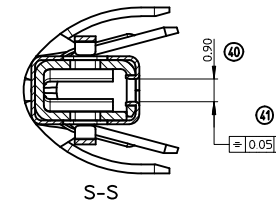
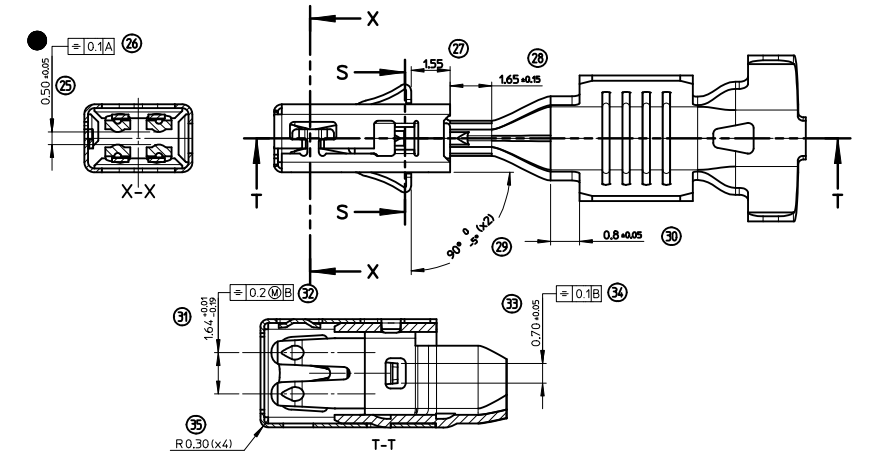
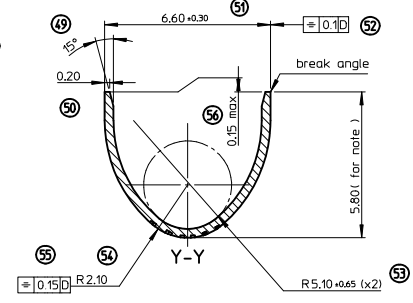
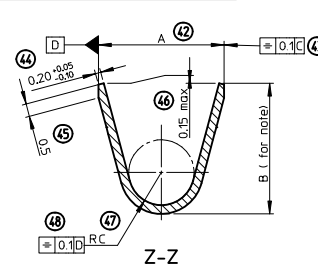
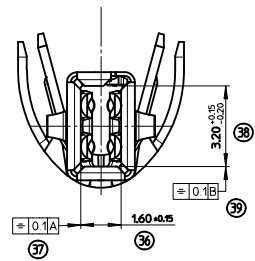
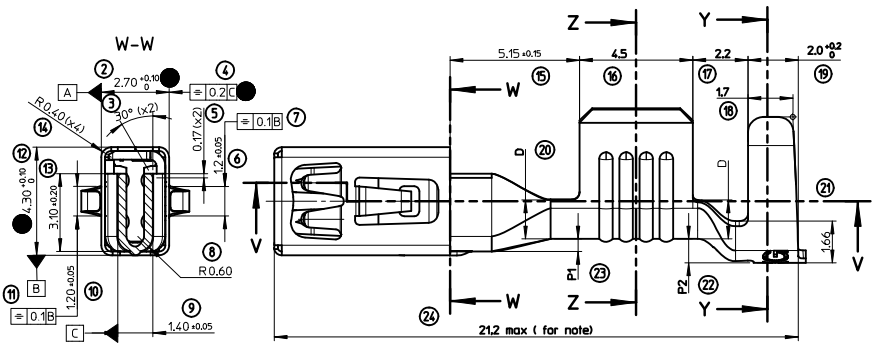
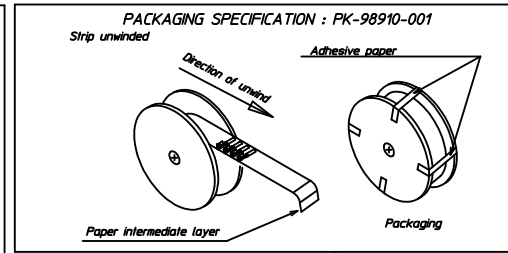
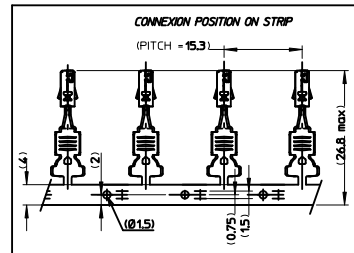
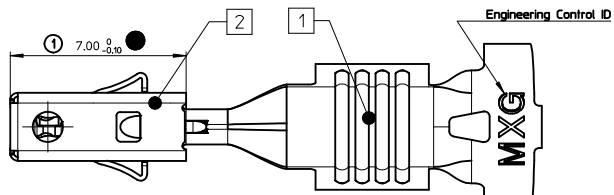
MATERIAL NUMBER	CONTACT AREA	CRIMPING AREA PLATING	UNDERLAYER	CRIMPING RANGE (mm ²)	Identification																
					A	B	rC	D	P1	P2	P3	P4	P5	P6	P7	P8	P9	P10			
0643241119	Au 1.27μ MINI	Sn	Ni	>3 TO 5	5.0	5.2	1.3	1.55	0.5	0.95	0.4902	D									
0643241019	Sn	Sn	Ni	>2 TO 3	4.1	4.4	1.0	1.45	0.5	0.95	0.4795	C									
0643241029	Sn	Sn	Ni	>1 TO 2	4.1	3.5	0.9	1.3	0.6	1.3	0.4274	B									
0643241039	Sn	Sn	Ni	0.50 TO 1	2.8	2.6	0.7	1.1	0.6	1.3	0.4191	A									
0643241149	Au 1.27μ MINI	Sn	Ni								0.3916										
0643241049	Sn	Sn	Ni								0.3815										

crimp range identification



(SKC)	COTES CARACTERISTIQUES SPECIALES
(SKC)	SPECIAL KEY CHARACTERISTICS
(SKC)	INDICATION DIMENSIONS S.P.C
(SKC)	DENOTES S.P.C DIMENSIONS
(SKC)	INDICATION DIMENSIONS CRITIQUES
(SKC)	DENOTES CRITICAL DIMENSIONS
(SKC)	INDICATION DIMENSIONS FONCTIONNELLES
(SKC)	DENOTES FUNCTIONAL DIMENSIONS
(SKC)	QUANTITE PAR FEUILLE INDIVIDUELLE
(SKC)	QUANTITY PER INDIVIDUAL SHEET
(SKC)	2
(SKC)	0
(SKC)	6
(SKC)	(SKC) 0

REVISED EC NO: G2072-0072 DRW: PERSQUAIN 2011/11/23 CHKD: PLESSIS 2011/11/23 APPR: BOULCHAN 2012/01/04	DESCRIPTION	GENERAL TOLERANCES (UNLESS SPECIFIED)		DIMENSION STYLE		SCALE	DESIGN UNITS	FIRST ANGLE PROJECTION	
		mm	INCH	MM ONLY	MM ONLY	10:1	METRIC	CP RCPT TRM 2.8	
DRAFT WHERE APPLICABLE MUST REMAIN WITHIN DIMENSIONS	SEE CHART	4 PLACES ± --- ± ---	3 PLACES ± --- ± ---	2 PLACES ± 0.10 ± ---	1 PLACE ± 0.1 ± ---	DRAWN BY DATE		CHECKED BY DATE	
		ANGULAR ± 2 °		VQUERIN 2007/11/07		FPAROLARI 2007/11/07		APPROVED BY DATE	
MATERIAL NO.		LSTICKEIR 2007/11/07		MATERIAL NO.		DOCUMENT NO.		SHEET NO.	
MOLEX INCORPORATED		SD-64324-001		MOLEX INCORPORATED		SD-64324-001		1 OF 1	
THIS DRAWING CONTAINS INFORMATION THAT IS PROPRIETARY TO MOLEX INCORPORATED AND SHOULD NOT BE USED WITHOUT WRITTEN PERMISSION									

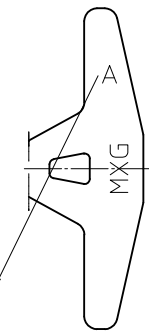


NOTE:
- CRIMPING SPECIFICATION ACCORDING TO AS-64324-001

2	BOX TERMINAL	STAINLESS STEEL thickness : 0.15 mm
1	BODY TERMINAL	HIGH CONDUCTIVITY COPPER ALLOY thickness : 0.35 mm
MARK	DESIGNATION	MATERIAL

MATERIAL NUMBER	CONTACT AREA	CRIMPING AREA PLATING	UNDERLAYER	CRIMPING RANGE (mm ²)	Crimping Range Identification								WEIGHT (g)	Identification
					A	B	rC	D	P1	P2	P3	P4		
0643241119	Au 1.27μ MINI	Sn	Ni	>3 TO 5	5.0	5.2	1.3	1.55	0.5	0.95	0.4902	D		
0643241019	Sn	Sn	Ni	>2 TO 3	4.1	4.4	1.0	1.45	0.5	0.95	0.4795	C		
0643241029	Sn	Sn	Ni	>1 TO 2	4.1	3.5	0.9	1.3	0.6	1.3	0.4274	B		
0643241039	Sn	Sn	Ni	0.50 TO 1	2.8	2.6	0.7	1.1	0.6	1.3	0.4191	A		
0643241149	Au 1.27μ MINI	Sn	Ni								0.3916			
0643241049	Sn	Sn	Ni								0.3815			

crimp range identification



(SKC) COTES CARACTERISTIQUES SPECIALES
SPECIAL KEY CHARACTERISTICS

- INDICATION DIMENSIONS S.P.C DENOTES S.P.C DIMENSIONS
- INDICATION DIMENSIONS CRITIQUES DENOTES CRITICAL DIMENSIONS
- INDICATION DIMENSIONS FONCTIONNELLES DENOTES FUNCTIONAL DIMENSIONS

QUANTITE PAR FEUILLE INDIVIDUELLE
QUANTITY PER INDIVIDUAL SHEET

2 0 6 (SKC) 0

REVISED EC NO: G2072-0072 DRW: PBOUJAIN 2011/11/23 CHKD: PLESSIS 2011/11/23 APPR: BOULCHAN 2012/01/04	GENERAL TOLERANCES (UNLESS SPECIFIED)		DIMENSION STYLE MM ONLY		SCALE 10:1	DESIGN UNITS METRIC	FIRST ANGLE PROJECTION
	mm	INCH	DRAWN BY VQUERIN	DATE 2007/11/07	TITLE CP RCPT TRM 2.8	MOLEX INCORPORATED	
4 PLACES ± --- ± ---		CHECKED BY FPAROLARI	DATE 2007/11/07	DOCUMENT NO. SD-64324-001			
3 PLACES ± --- ± ---		APPROVED BY LSTICKEIR	DATE 2007/11/07	SHEET NO. 1 OF 1			
2 PLACES ± 0.10 ± ---		MATERIAL NO.		THIS DRAWING CONTAINS INFORMATION THAT IS PROPRIETARY TO MOLEX INCORPORATED AND SHOULD NOT BE USED WITHOUT WRITTEN PERMISSION			
1 PLACE ± 0.1 ± ---		ANGULAR ± 2°					
DRAFT WHERE APPLICABLE MUST REMAIN WITHIN DIMENSIONS		SEE CHART					