



Chipsmall Limited consists of a professional team with an average of over 10 year of expertise in the distribution of electronic components. Based in Hongkong, we have already established firm and mutual-benefit business relationships with customers from,Europe,America and south Asia,supplying obsolete and hard-to-find components to meet their specific needs.

With the principle of “Quality Parts,Customers Priority,Honest Operation,and Considerate Service”,our business mainly focus on the distribution of electronic components. Line cards we deal with include Microchip,ALPS,ROHM,Xilinx,Pulse,ON,Everlight and Freescale. Main products comprise IC,Modules,Potentiometer,IC Socket,Relay,Connector.Our parts cover such applications as commercial,industrial, and automotives areas.

We are looking forward to setting up business relationship with you and hope to provide you with the best service and solution. Let us make a better world for our industry!



Contact us

Tel: +86-755-8981 8866 Fax: +86-755-8427 6832

Email & Skype: info@chipsmall.com Web: www.chipsmall.com

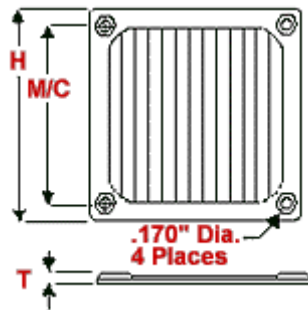
Address: A1208, Overseas Decoration Building, #122 Zhenhua RD., Futian, Shenzhen, China



FAN ACCESSORIES	Qualtek ELECTRONICS CORPORATION Fan-S Division
------------------------	--

Aluminum & Stainless Steel Fan Filters - 06 Series

These tested and proven filters provide maximum airflow with effective filtering. Mill, irridite and stainless steel finishes are offered to enhance EMI/RFI shielding as well as an anodized finish for esthetic purposes. The tightly woven corrugated mesh screen is encased in a formed aluminum frame built for ruggedness and durability. The filters are designed to fit any standard 60mm - 2 1/2", 80mm - 3 1/8", 92mm - 3 5/8" and 120mm - 4 1/2" tube axial fan. The units are easily washed in a solvent or degreaser and can be mounted directly to the fan or to a panel.







Part Number	Use With Fan Size		Finish	Size (inches)		M/C	PDF Drawings
	mm	in		H (sq)	T		
60 mm - 2 1/2"							
06250-B	60	2 1/2	Anodized (Black)	2.36	.138	1.95	
06250-C	60	2 1/2	Irridite (Clear)	2.36	.138	1.95	
06250-M	60	2 1/2	Mill (No Finish)	2.36	.138	1.95	
06250-SS	60	2 1/2	Stainless Steel	2.36	.138	1.95	
80 mm - 3 1/8"							
06325-B	80	3 1/8	Anodized (Black)	3.30	.175	2.810	
06325-C	80	3 1/8	Irridite (Clear)	3.30	.175	2.810	
06325-M	80	3 1/8	Mill (No Finish)	3.30	.175	2.810	
06325-SS	80	3 1/8	Stainless Steel	3.30	.175	2.810	
92 mm - 3 5/8"							
06362-B	92	3 5/8	Anodized (Black)	3.62	.175	3.245	
06362-C	92	3 5/8	Irridite (Clear)	3.62	.175	3.245	
06362-M	92	3 5/8	Mill (No Finish)	3.62	.175	3.245	

06362-SS	92	3 5/8	Stainless Steel	3.62	.175	3.245	
120 mm - 4 1/2"							
06450-B	120	4 1/2	Anodized (Black)	4.68	.175	4.125	
06450-C	120	4 1/2	Irridite (Clear)	4.68	.175	4.125	
06450-M	120	4 1/2	Mill (No Finish)	4.68	.175	4.125	
06450-SS	120	4 1/2	Stainless Steel	4.68	.175	4.125	

Fan Accessories Cross Reference Guide 

 [Home](#) /  [Products](#) /  [Literature Request](#) /  [What's NEW](#)

Qualtek Electronics Meeting Global Demands with Design Solutions

7675 Jenther Drive  Mentor, Ohio 44060  (888) 258-3468  (440) 951-3300  FAX: (440) 951-7252

E-Mail mailbox@qualtekusa.com  Web: www.qualtekusa.com

Copyright © 2001 Qualtek Electronics Corporation. All rights reserved.

Updated: March, 2003