



Chipsmall Limited consists of a professional team with an average of over 10 year of expertise in the distribution of electronic components. Based in Hongkong, we have already established firm and mutual-benefit business relationships with customers from,Europe,America and south Asia,supplying obsolete and hard-to-find components to meet their specific needs.

With the principle of “Quality Parts,Customers Priority,Honest Operation,and Considerate Service”,our business mainly focus on the distribution of electronic components. Line cards we deal with include Microchip,ALPS,ROHM,Xilinx,Pulse,ON,Everlight and Freescale. Main products comprise IC,Modules,Potentiometer,IC Socket,Relay,Connector.Our parts cover such applications as commercial,industrial, and automotives areas.

We are looking forward to setting up business relationship with you and hope to provide you with the best service and solution. Let us make a better world for our industry!



Contact us

Tel: +86-755-8981 8866 Fax: +86-755-8427 6832

Email & Skype: info@chipsmall.com Web: www.chipsmall.com

Address: A1208, Overseas Decoration Building, #122 Zhenhua RD., Futian, Shenzhen, China



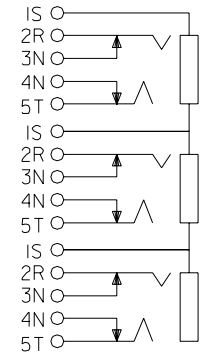
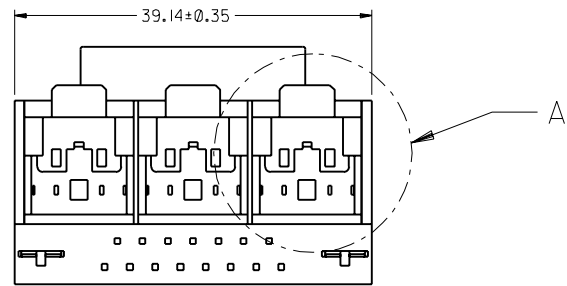
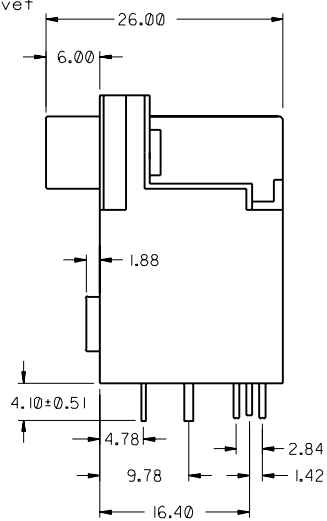
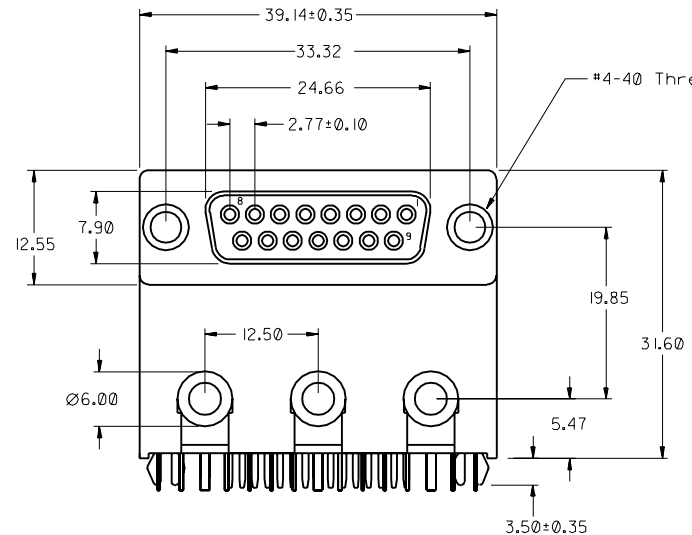
DO NOT SCALE DRAWING

CAD FILE : S670011

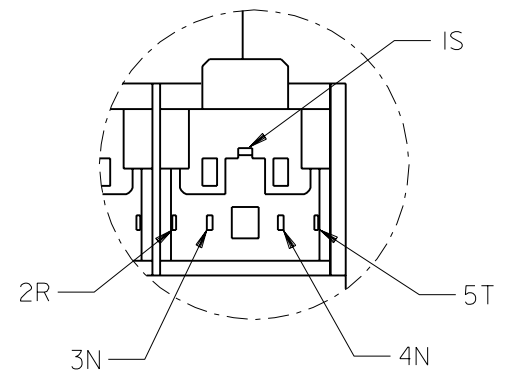
SIMILAR ITEM

EDP NO.

ENG. NO. SDA-67001-00*0



WIRING DIAGRAM



DETAIL A (Audio Jack)

				MATERIAL : SEE NOTE		MOLEX TAIWAN LTD. SHEET 1 OF 2	
				FINISH : SEE NOTE			
				WIRE RANGE :		GENERAL TOLERANCES ANGLE : ± 3° DIM : ± .25 / .010	
B RELEASE TO MANUFACTURING 197-424 NEIL 970602				INS. RANGE :		ENG. NO. SDA-67001-00*0 REV B	
A2 UPDATE THE DIM 197-392 NEIL 970508							
A1 PER PDR MXT 0884 197-110 Vin '96.10.11							
LTR	REVISION RECORD	ECN	DR	DATE	DRAWN BY Vincent Lin	CHK'D BY	TITLE : HYBRID CONNECTOR 15CKT FEMALE STD D-SUB WITH AUDIO JACK(3X)
REVISE ONLY ON CAD SYSTEM					APPR'D BY	SCALE 2:1	

ENG. NO SDA-67001-00*0

EDP NO.

SIMILAR ITEM

CAD FILE : S670012

DO NOT SCALE DRAWING

8

7

6

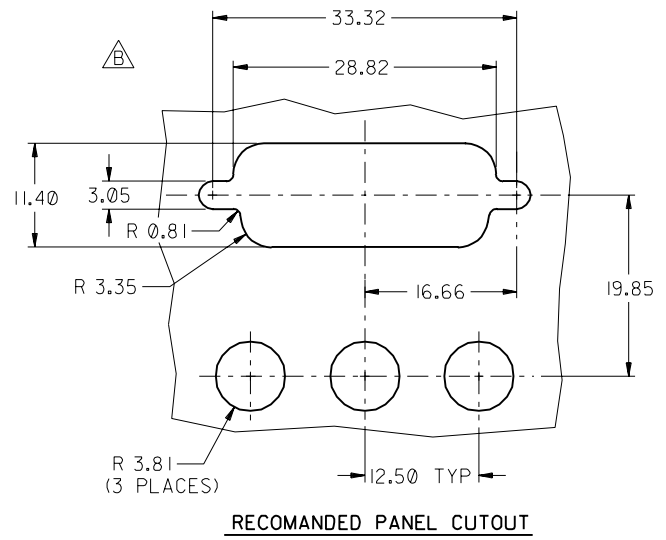
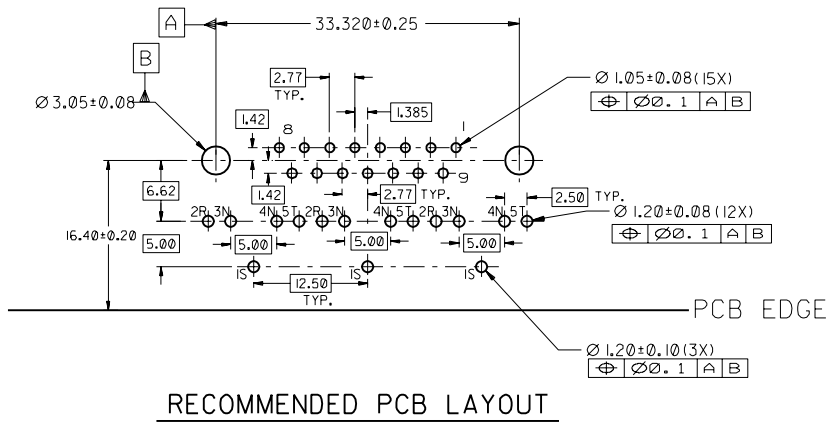
5

4

3

2

1



RECOMMENDED PCB LAYOUT

RECOMANED PANEL CUTOUT

67001-00*0

NOTE

- 1. MATERIAL
- STANDARD D-SUB 15CKT FEMALE
- 1) SHELL : STEEL, TIN PLATING
- 2) BOARD LOCK : BRASS, TIN PLATING
- 3) SCREW : BRASS, NICKEL PLATING
- 4) INSULATOR : POLYESTER (PBT), WITH GLASS FIBER, UL-94V0, COLOR : BLACK
- 5) CONTACT : PHOSPHOR BRONZE
- AUDIO JACK
- 1) HOUSING/BACK COVER : POLYESTER, UL94V-0, COLOR: BLACK
- 2) BUSHING : BRASS, NICKEL PLATING
- 3) SLEEVE TERMINAL (IS) : SPCC, NICKEL PLATING
- 4) SLEEVE SPRING : PHOSPHOR BRONZE, SILVER PLATING
- 5) RING TERMINAL (2R) : PHOSPHOR BRONZE, TIN PLATING
- 6) TIP TERMINAL (5T) : PHOSPHOR BRONZE, TIN PLATING
- 7) SHUNT TERMINAL (3N/4N) : BRASS, TIN PLATING

- 4 : 0.76 MICROMETER / 30 MICRO INCH MINIMUM GOLD ON CONTACT AREA . 2.54 MICROMETER / 100 MICRO INCH MINIMUM TIN/LEAD ON SOLDER TAIL . BOTH UNDERPLATING NICKEL OVERALL .
- 5 : 0.38 MICROMETER / 15 MICRO INCH MINIMUM GOLD ON CONTACT AREA . 2.54 MICROMETER / 100 MICRO INCH MINIMUM TIN/LEAD ON SOLDER TAIL . BOTH UNDERPLATING NICKEL OVERALL .
- 6 : GOLD FLASH ON CONTACT AREA . 2.54 MICROMETER / 100 MICRO INCH MINIMUM TIN/LEAD ON SOLDER TAIL . BOTH UNDERPLATING NICKEL OVERALL .

				MATERIAL : SEE NOTES		MOLEX TAIWAN LTD. SHEET 2 OF 2
				FINISH : SEE NOTES		
				WIRE RANGE :		GENERAL TOLERANCES ANGLE : ± 3° DIM : ± .25 / .010
				INS. RANGE :		
B	RELEASE TO MANUFACTURING	197-424	NEIL	970602	ENG. NO. SDA-67001-00*0 REV B	
A2	UPDATE THE DIM.	197-392	NEIL	970508		
A1	PER PDR MXT 0884	197-110	Vincent	961121		
LTR	REVISION RECORD	ECN	DR	DATE	DRAWN BY 961121 Vincent Lin	CHK'D BY
REVISE ONLY ON CAD SYSTEM					APPR'D BY	SCALE 2:1
TITLE : HYBRID CONNECTOR 15CKT FEMALE STD D-SUB WITH AUDIO JACK(3X)						