



Chipsmall Limited consists of a professional team with an average of over 10 year of expertise in the distribution of electronic components. Based in Hongkong, we have already established firm and mutual-benefit business relationships with customers from,Europe,America and south Asia,supplying obsolete and hard-to-find components to meet their specific needs.

With the principle of “Quality Parts,Customers Priority,Honest Operation,and Considerate Service”,our business mainly focus on the distribution of electronic components. Line cards we deal with include Microchip,ALPS,ROHM,Xilinx,Pulse,ON,Everlight and Freescale. Main products comprise IC,Modules,Potentiometer,IC Socket,Relay,Connector.Our parts cover such applications as commercial,industrial, and automotives areas.

We are looking forward to setting up business relationship with you and hope to provide you with the best service and solution. Let us make a better world for our industry!



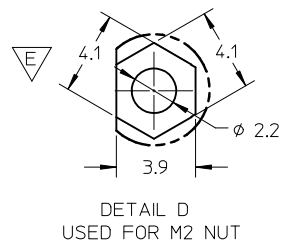
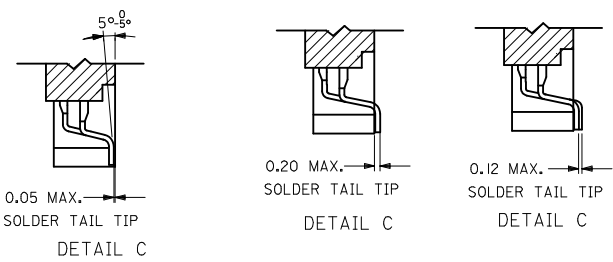
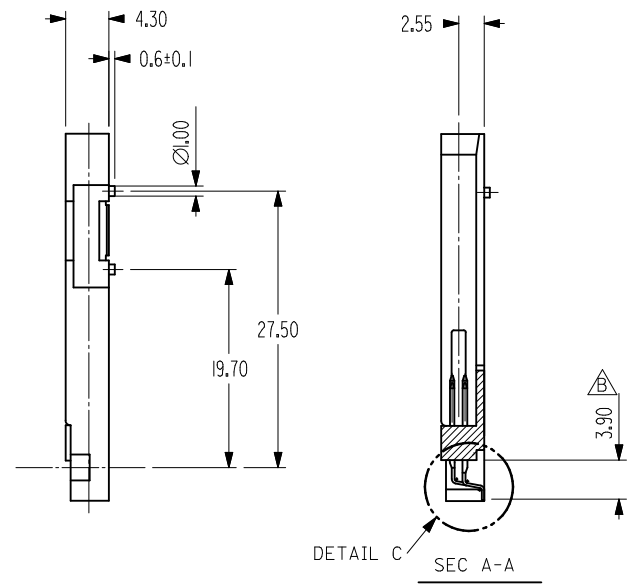
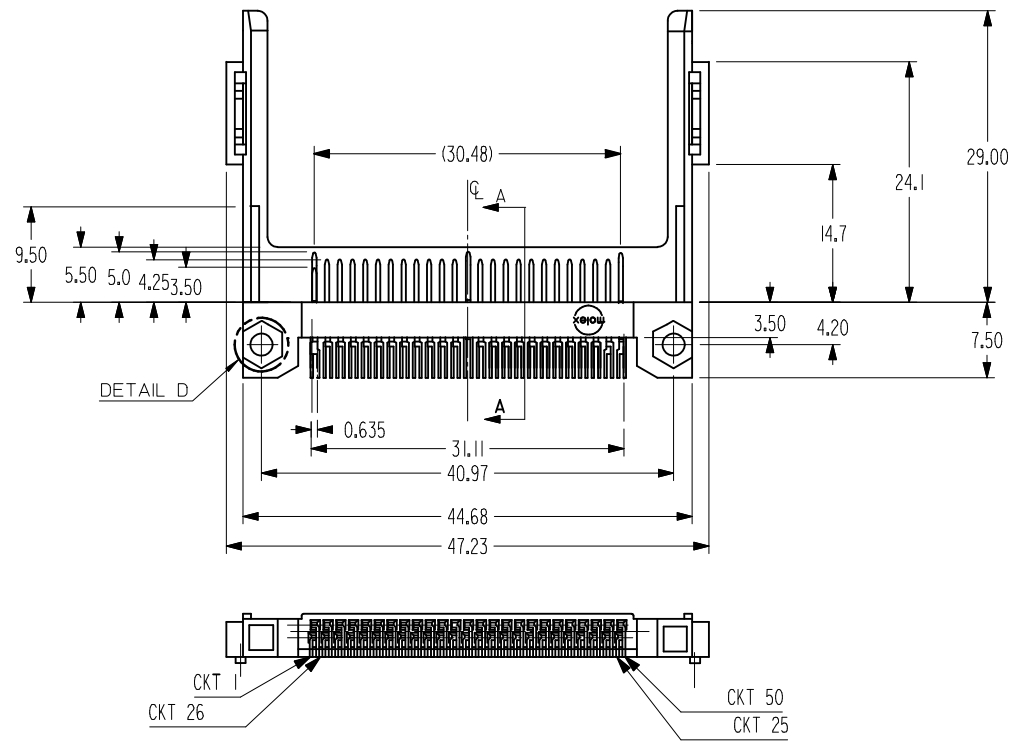
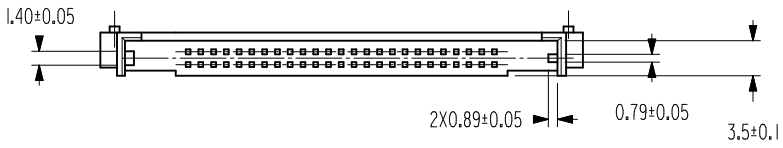
Contact us

Tel: +86-755-8981 8866 Fax: +86-755-8427 6832

Email & Skype: info@chipsmall.com Web: www.chipsmall.com

Address: A1208, Overseas Decoration Building, #122 Zhenhua RD., Futian, Shenzhen, China





OBsolete PART
 EC NO: SH2011-0364 2011/06/10
 DRAWN: XJ.SONG 2011/06/10
 CHKD:
 APPR: R.ZHANG 2011/06/14

REV	DESCRIPTION	QUALITY SYMBOLS
1		$\nabla_A = 0$
2		$\nabla_C = 0$
3		$\nabla_B = 0$

GENERAL TOLERANCES (UNLESS SPECIFIED)	
mm	INCH
4 PLACES	± ---
3 PLACES	± ---
2 PLACES	± 0.15
1 PLACE	± 0.15
ANGULAR ± 2 °	
DRAFT WHERE APPLICABLE MUST REMAIN WITHIN DIMENSIONS	

DIMENSION STYLE	
MM ONLY	
DRAWN BY	DATE
JACK LIN	1998/08/06
CHECKED BY	DATE
WALLY WA	1998/08/06
APPROVED BY	DATE
MEGA LIN	1998/08/06
MATERIAL NO.	
67155-0001	

SCALE	DESIGN UNITS	THIRD ANGLE PROJECTION
2:1	METRIC	
TITLE		
50 CIRCUITS CF LOW PROFILE HEADER		
MOLEX INCORPORATED		SHEET NO.
DOCUMENT NO.		1 OF 3
SD-67155-001		

10 9 8 7 6 5 4 3 2 1

F

E

D

C

B

A

F

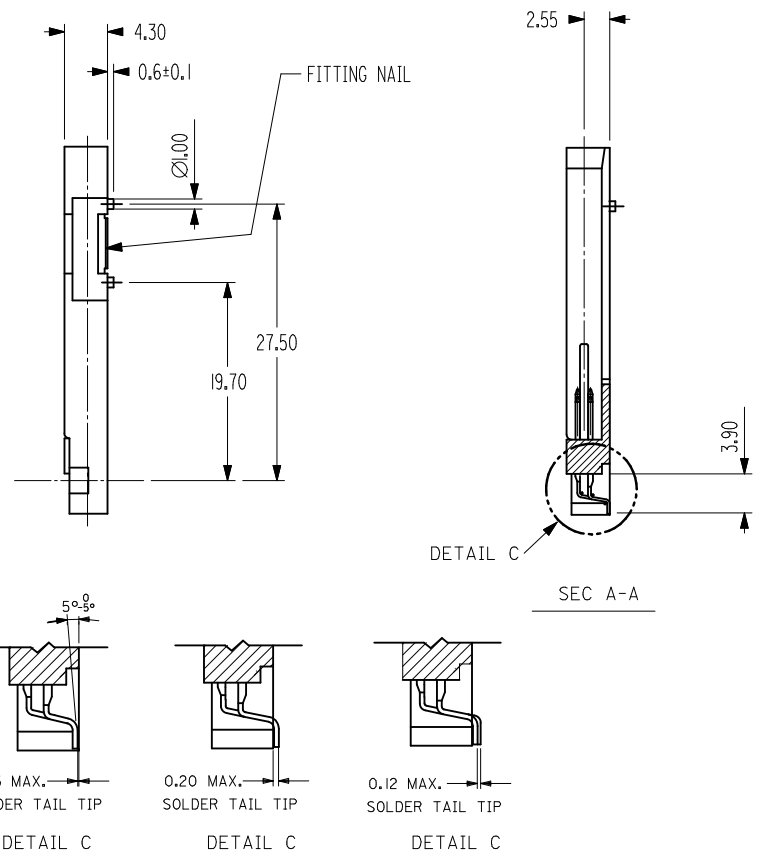
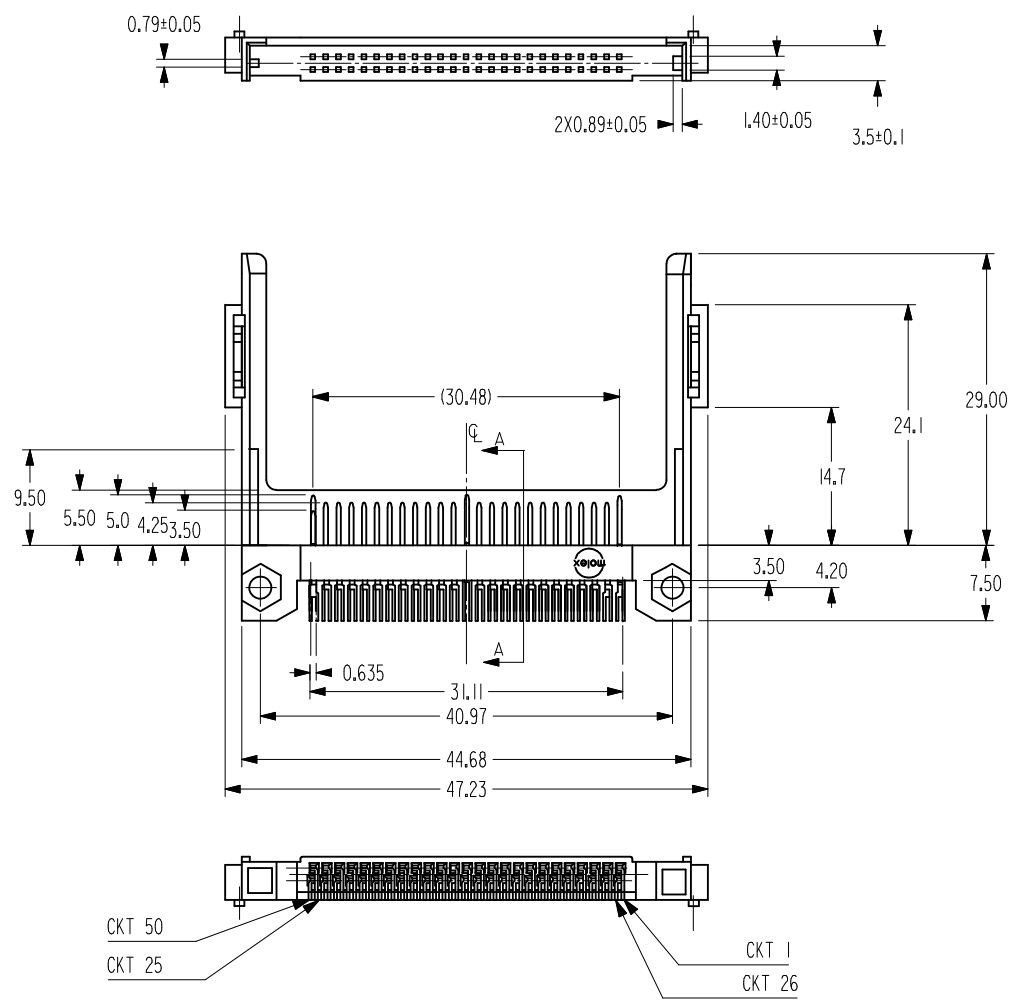
E

D

C

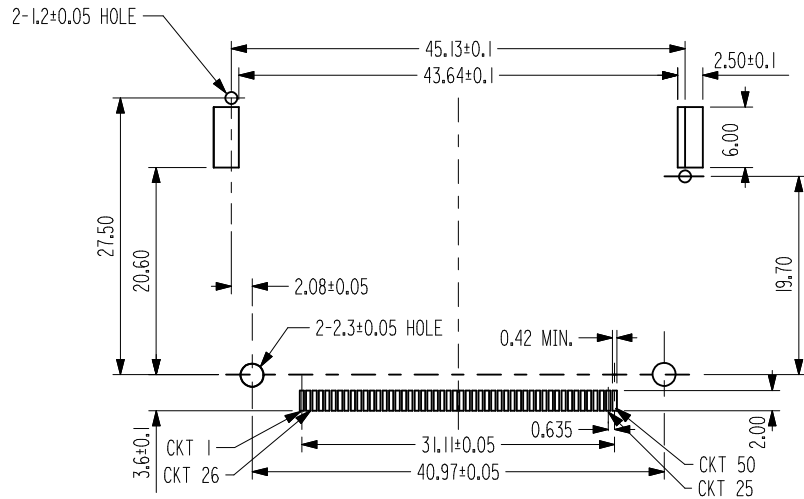
B

A

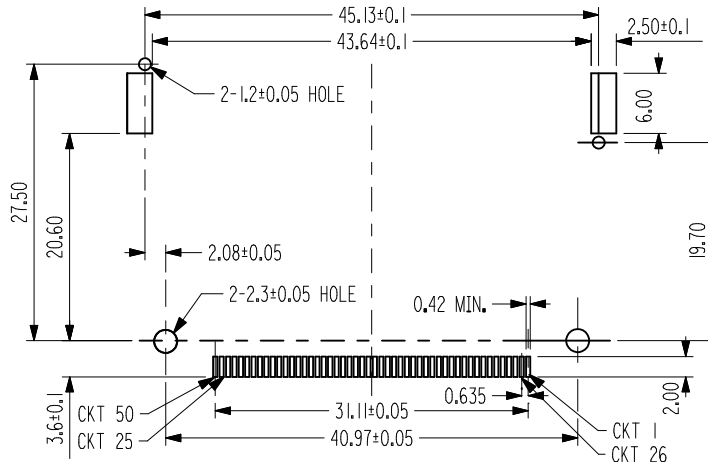


SEE SHEET 1 EC NO: SH2011-0364 DRWN: XJ SONG CHKD: CHYKD APPR: RZHANG	2011/06/10 2011/06/14	DESCRIPTION REV	QUALITY SYMBOLS	GENERAL TOLERANCES (UNLESS SPECIFIED)	DIMENSION STYLE	SCALE	DESIGN UNITS	THIRD ANGLE PROJECTION
			$F_{\Delta} = 0$ $F_{\square} = 0$ $F_{\phi} = 0$	mm INCH 4 PLACES ± --- ± --- 3 PLACES ± --- ± --- 2 PLACES ± 0.15 ± --- 1 PLACE ± 0.15 ± --- ANGULAR ± 2 °	MM ONLY	2:1	METRIC	
				DRAFT WHERE APPLICABLE MUST REMAIN WITHIN DIMENSIONS	DRAWN BY: JACK LIN DATE: 1998/08/06 CHECKED BY: WALLY WA DATE: 1998/08/06 APPROVED BY: MEGA LIN DATE: 1998/08/06 MATERIAL NO. 67155-0002	TITLE: 50 CIRCUITS OF LOW PROFILE HEADER MOLEX INCORPORATED DOCUMENT NO. SD-67155-001		
					SIZE: A3 THIS DRAWING CONTAINS INFORMATION THAT IS PROPRIETARY TO MOLEX INCORPORATED AND SHOULD NOT BE USED WITHOUT WRITTEN PERMISSION	SHEET NO. 2 OF 3		

9 8 7 6 5 4 3 2 1



RECOMMENDED PCB LAYOUT
REVERSE TYPE



RECOMMENDED PCB LAYOUT
STANDARD TYPE

NOTES:

1. MATERIAL : HOUSING: HIGH TEMP PLASTIC, UL94 V-0, COLOR: IVORY
TERMINAL: COPPER ALLOY
2. PLATING: CONTACT AREA: AU OVER PD-NI
SOLDERING TAIL: TIN
NICKEL OVERALL
FITTING NAIL: TIN
NICKEL OVERALL
3. RECOMMENDED PCB THICKNESS: 0.8MM

4. THE COPLANARITY OF SOLDER TAILS SHOULD BE WITHIN 0.12 MM
5. FOR PRODUCT SPECIFICATION: REFER TO PS-67155-003

PART NUMBER	DISCRIPTION	PACKAGING
67155-0001	REVERSE TYPE	TYAY
67155-0002	STANDARD TYPE	PK-67155-001
67155-0004	STANDARD TYPE WITH MYLAR	TAPE & REEL PK-67155-002

SEE SHEET1 IEC NO: SH2011-0364 TDR: WNAJ.SONG CHKD: APPR: RZ.HANG	2011/06/10 2011/06/14	DESCRIPTION REV	QUALITY SYMBOLS	GENERAL TOLERANCES (UNLESS SPECIFIED)		DIMENSION STYLE MM ONLY		SCALE 2:1	DESIGN UNITS METRIC	THIRD ANGLE PROJECTION		
			▽=0	mm	INCH	DRAWN BY JACK LIN	DATE 1998/08/06	TITLE 50 CIRCUITS CF LOW PROFILE HEADER				
			▽=0	4 PLACES ± --- ± ---	3 PLACES ± --- ± ---	CHECKED BY WALLY WA	DATE 1998/08/06					
			▽=0	2 PLACES ± 0.15 ± ---	1 PLACE ± 0.15 ± ---	APPROVED BY MEGA LIN	DATE 1998/08/06	MOLEX MOLEX INCORPORATED DOCUMENT NO. SD-67155-001 SHEET NO. 3 OF 3				
ANGULAR ± 2 °	DRAFT WHERE APPLICABLE MUST REMAIN WITHIN DIMENSIONS		SIZE A3	THIS DRAWING CONTAINS INFORMATION THAT IS PROPRIETARY TO MOLEX INCORPORATED AND SHOULD NOT BE USED WITHOUT WRITTEN PERMISSION								