



Chipsmall Limited consists of a professional team with an average of over 10 year of expertise in the distribution of electronic components. Based in Hongkong, we have already established firm and mutual-benefit business relationships with customers from,Europe,America and south Asia,supplying obsolete and hard-to-find components to meet their specific needs.

With the principle of "Quality Parts,Customers Priority,Honest Operation,and Considerate Service",our business mainly focus on the distribution of electronic components. Line cards we deal with include Microchip,ALPS,ROHM,Xilinx,Pulse,ON,Everlight and Freescale. Main products comprise IC,Modules,Potentiometer,IC Socket,Relay,Connector.Our parts cover such applications as commercial,industrial, and automotives areas.

We are looking forward to setting up business relationship with you and hope to provide you with the best service and solution. Let us make a better world for our industry!



## Contact us

Tel: +86-755-8981 8866 Fax: +86-755-8427 6832

Email & Skype: info@chipsmall.com Web: www.chipsmall.com

Address: A1208, Overseas Decoration Building, #122 Zhenhua RD., Futian, Shenzhen, China



10 9 8 7 6 5 4 3 2 1

NOTES :

1. MATERIAL :

HOUSING : HIGH TEMPURTE NYLON ,GLASS FIBER, UL94-V0 , COLOR: BLACK  
 TERMINAL : PHOSPHOR BRONZE  
 METAL SHELL : COPPER ALLOY

2. PLATING :

TERMINAL :  
 CONTACT AREA : (a) GOLD FLASH.  
 (b) GLOD (Au), THICKNESS = 30 MICROINCH/0.76 MICROMETER  
 SOLDER TAIL : PURE TIN(Sn),  
 THICKNESS= 75 MICROINCH /1.9 MICROMETER

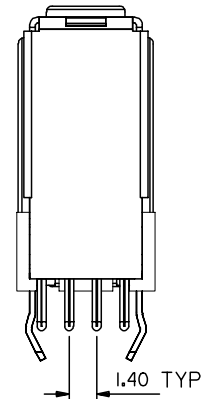
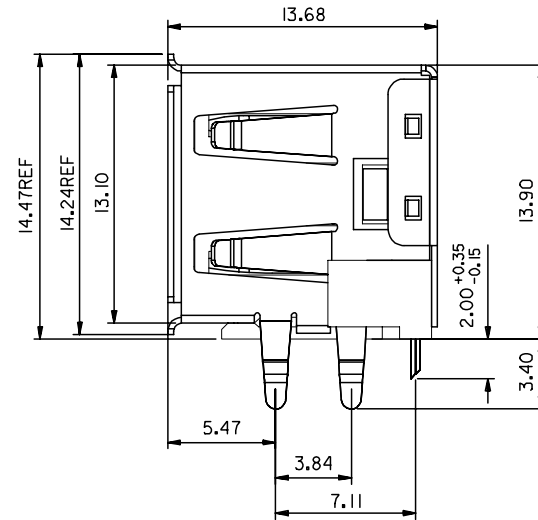
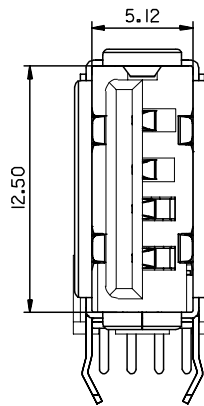
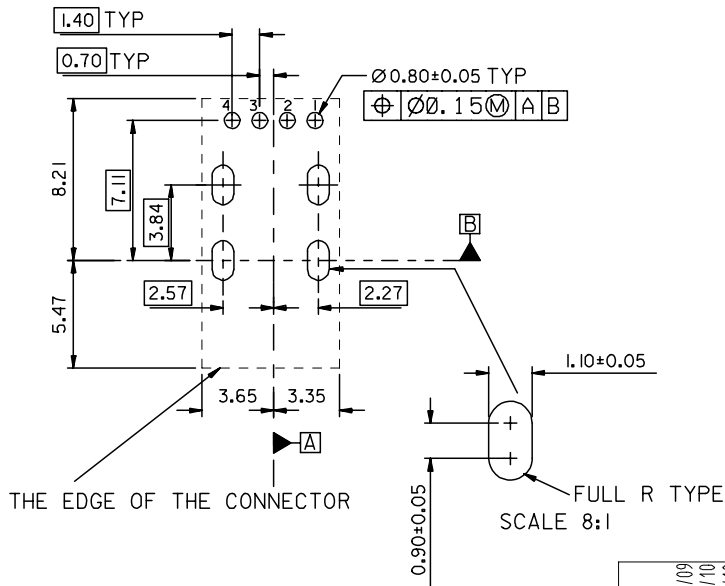
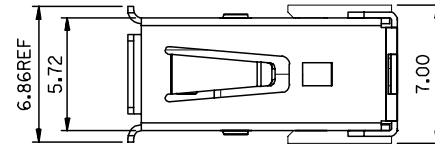
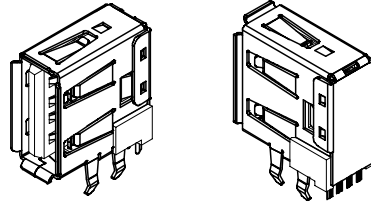
UNDER PLATE : NICKEL (Ni), THICKNESS= 50 MICROINCH/1.27 MICROMETER  
 METAL SHELL :  
 PURE TIN(Sn), THICKNESS=50-100MICROINCH /1.27-2.54MICROMETER.

UNDER PLATE : NICKEL (Ni), THICKNESS= 50 MICROINCH/1.27 MICROMETER

3 RECOMMENDED PCB THICKNESS : 1.20±0.05mm & 1.60±0.05 mm

4 PRODUCT SPECIFICATION : REFER TO PS-89485

5 PACKAGING SPECIFICATION : REFER TO PK-67329-001



PART NUMBER LEGEND:

P/N	CONTACT PLATING
67329-8000	GOLD FLASH
67329-8001	0.76 MICROMETER/30 MICROINCH GOLD

NEW RELEASE	EC NO:	2005/12/09	DRWN:HP/IAN	2006/01/10	CHKD:HARVEY	2006/01/10	APPR:HWANG	2006/01/10
A	REV		DESCRIPTION					

QUALITY SYMBOLS	▽=0	▽C=0
-----------------	-----	------

GENERAL TOLERANCES (UNLESS SPECIFIED)	mm	INCH
4 PLACES	± ---	± ---
3 PLACES	± ---	± ---
2 PLACES	± 0.25	± ---
1 PLACE	± 0.25	± ---
ANGULAR ± 3 °		
DRAFT WHERE APPLICABLE MUST REMAIN WITHIN DIMENSIONS		

DIMENSION STYLE		SCALE	DESIGN UNITS	THIRD ANGLE PROJECTION
MM ONLY		4:1	METRIC	
DRAWN BY	DATE	TITLE		
QIANHUIPING	2005/12/09	USB A UPRIGHT CONN. FLANGE OUT TYPE LEAD-FREE		
CHECKED BY	DATE			
HARVEY	2005/12/09			
APPROVED BY	DATE			
GARY	2005/12/09			
MATERIAL NO.	DOCUMENT NO.			
67329-800*	SD-67329-801			
SIZE	THIS DRAWING CONTAINS INFORMATION THAT IS PROPRIETARY TO MOLEX INCORPORATED AND SHOULD NOT BE USED WITHOUT WRITTEN PERMISSION			
A3				

MOLEX INCORPORATED		SHEET NO.
		1 OF 1

9 8 7 6 5 4 3 2 1