



Chipsmall Limited consists of a professional team with an average of over 10 year of expertise in the distribution of electronic components. Based in Hongkong, we have already established firm and mutual-benefit business relationships with customers from,Europe,America and south Asia,supplying obsolete and hard-to-find components to meet their specific needs.

With the principle of “Quality Parts,Customers Priority,Honest Operation,and Considerate Service”,our business mainly focus on the distribution of electronic components. Line cards we deal with include Microchip,ALPS,ROHM,Xilinx,Pulse,ON,Everlight and Freescale. Main products comprise IC,Modules,Potentiometer,IC Socket,Relay,Connector.Our parts cover such applications as commercial,industrial, and automotives areas.

We are looking forward to setting up business relationship with you and hope to provide you with the best service and solution. Let us make a better world for our industry!



Contact us

Tel: +86-755-8981 8866 Fax: +86-755-8427 6832

Email & Skype: info@chipsmall.com Web: www.chipsmall.com

Address: A1208, Overseas Decoration Building, #122 Zhenhua RD., Futian, Shenzhen, China



10 9 8 7 6 5 4 3 2 1

NOTES :

1. MATERIAL :

HOUSING : HIGH TEMPERATURE NYLON ,GLASS FIBER, UL94-V0 , COLOR: BLACK
 TERMINAL : PHOSPHOR BRONZE(PbBr), C5100 EH, PER ES-I24-E108
 METAL SHELL : COPPER ALLOY

2. PLATING :

TERMINAL :

CONTACT AREA : (a) GOLD FLASH,

(b) GLOD (Au), THICKNESS = 30 MICROINCH/0.76 MICROMETER

SOLDER TAIL : TIN,

THICKNESS=50~100 MICROINCH/1.27~2.54 MICROMETER

UNDER PLATE : NICKEL (NI), THICKNESS= 50 MICROINCH/1.27 MICROMETER
 METAL SHELL : TIN,

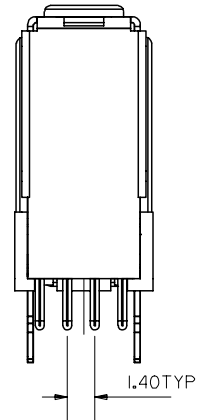
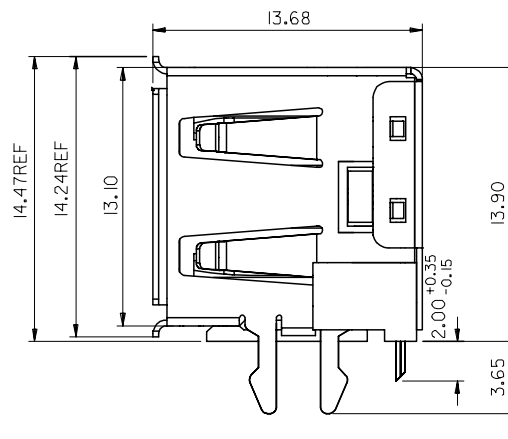
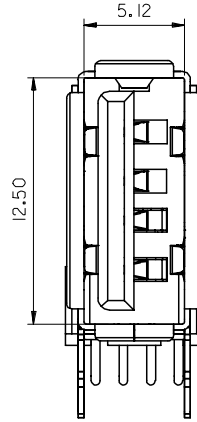
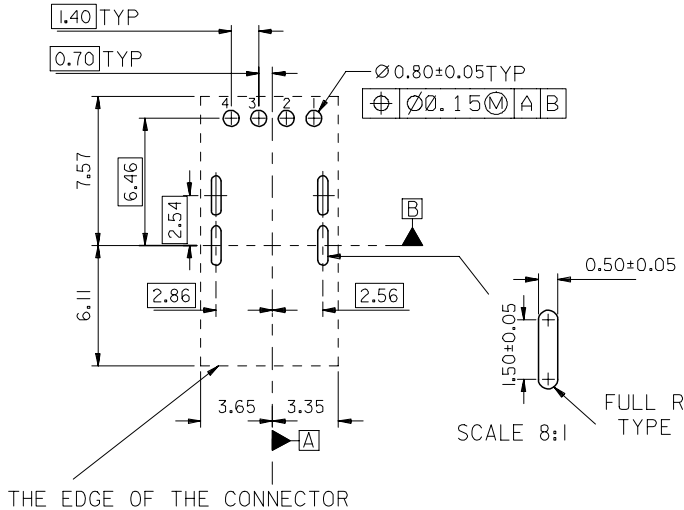
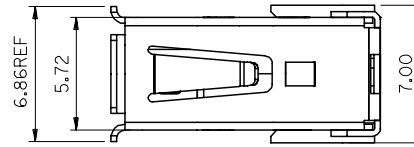
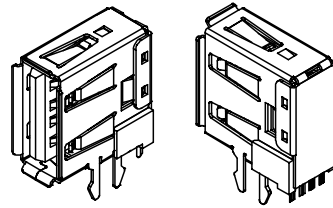
THICKNESS=50~100 MICROINCH/1.27~2.54 MICROMETER

UNDER PLATE : NICKEL (NI), THICKNESS= 50 MICROINCH/1.27 MICROMETER
 SURFACE APPEARANCE :BRIGHT

3 RECOMMENDED PCB THICKNESS : 1.60±0.05 mm.

4 PRODUCT SPECIFICATION : REFER TO PS-89485

5 PACKAGING SPECIFICATION : REFER TO PK-67329-001



PART NUMBER LEGEND:

P/N	CONTACT PLATING
67329-8020	GOLD FLASH
67329-8021	0.76 MICROMETER/30 MICROINCH GOLD

NEW RELEASE EC NO: DRWN:HPJIAN CHKD:HARVEY APPR:HWANG	DESCRIPTION REV	QUALITY SYMBOLS ▽=0 △=0	GENERAL TOLERANCES (UNLESS SPECIFIED)		DIMENSION STYLE MM ONLY	SCALE 4:1	DESIGN UNITS METRIC	THIRD ANGLE PROJECTION		
			mm	INCH	DRAWN BY QIANHUIPING	DATE 2005/12/09	TITLE USB UPRIGHT CONNECTOR FLANGE OUT TYPE WITH FORK LOCK LEAD FREE			
			4 PLACES ± ---	± ---	CHECKED BY HARVEY	DATE 2005/12/09	MOLEX INCORPORATED			
			3 PLACES ± ---	± ---	APPROVED BY GARY	DATE 2005/12/09	MATERIAL NO.	DOCUMENT NO. SD-67329-802	SHEET NO. 1 OF 1	
		2 PLACES ± 0.25	± ---	DRAFT WHERE APPLICABLE MUST REMAIN WITHIN DIMENSIONS						
		1 PLACE ± 0.25	± ---	SIZE A3						
THIS DRAWING CONTAINS INFORMATION THAT IS PROPRIETARY TO MOLEX INCORPORATED AND SHOULD NOT BE USED WITHOUT WRITTEN PERMISSION										

9 8 7 6 5 4 3 2 1