



Chipsmall Limited consists of a professional team with an average of over 10 year of expertise in the distribution of electronic components. Based in Hongkong, we have already established firm and mutual-benefit business relationships with customers from,Europe,America and south Asia,supplying obsolete and hard-to-find components to meet their specific needs.

With the principle of “Quality Parts,Customers Priority,Honest Operation,and Considerate Service”,our business mainly focus on the distribution of electronic components. Line cards we deal with include Microchip,ALPS,ROHM,Xilinx,Pulse,ON,Everlight and Freescale. Main products comprise IC,Modules,Potentiometer,IC Socket,Relay,Connector.Our parts cover such applications as commercial,industrial, and automotives areas.

We are looking forward to setting up business relationship with you and hope to provide you with the best service and solution. Let us make a better world for our industry!



Contact us

Tel: +86-755-8981 8866 Fax: +86-755-8427 6832

Email & Skype: info@chipsmall.com Web: www.chipsmall.com

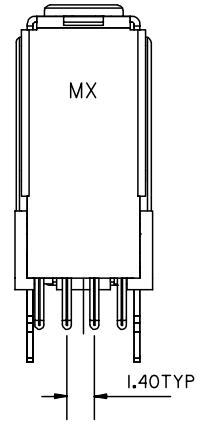
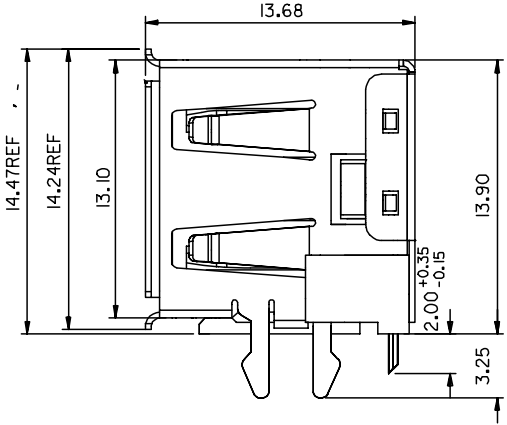
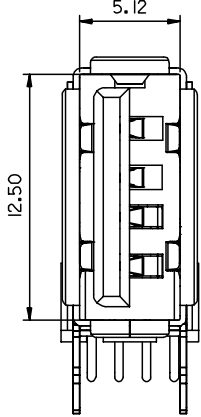
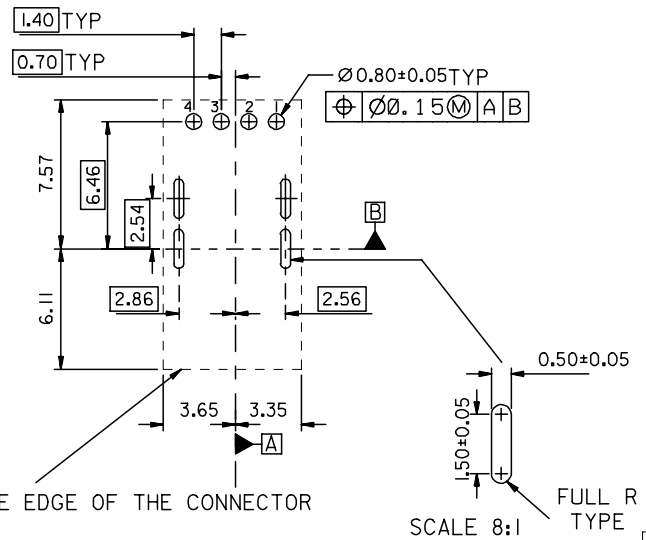
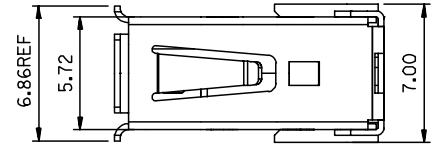
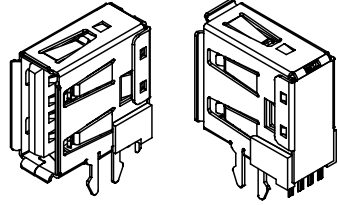
Address: A1208, Overseas Decoration Building, #122 Zhenhua RD., Futian, Shenzhen, China



10 9 8 7 6 5 4 3 2 1

NOTES :

- 1. MATERIAL :
 - HOUSING : HIGH TEMPERTURE NYLON ,GLASS FIBER, UL94-V0 , COLOR: BLACK
 - TERMINAL : PHOSPHOR BRONZE(PhBr), C5100 EH, PER ES-I24-EI08
 - METAL SHELL : COPPER ALLOY
- 2. PLATING :
 - TERMINAL :
 - (a) GOLD FLASH.
 - (b) GL0D (Au), THICKNESS = 30 MICROINCH/0.76 MICROMETER
 - SOLDER TAIL : PURE TIN(Sn), THICKNESS= 75 MICROINCH /1.9 MICROMETER
 - UNDER PLATE : NICKEL (Ni), THICKNESS= 50 MICROINCH/1.27 MICROMETER
 - METAL SHELL :
 - PURE TIN(Sn), THICKNESS=50-100MICROINCH /1.27-2.54 MICROMETER.
 - UNDER PLATE : NICKEL (Ni), THICKNESS= 50 MICROINCH/1.27 MICROMETER
 - SURFACE APPEARANCE :BRIGHT
- 3 RECOMMENDED PCB THICKNESS : 1.20±0.05 mm.
- 4 PRODUCT SPECIFICATION : REFER TO PS-89485
- 5 PACKAGING SPECIFICATION : REFER TO PS-67329-001



PART NUMBER LEGEND:

P/N	CONTACT PLATING
67329-8030	GOLD FLASH
67329-8031	0.76 MICROMETER/30 MICROINCH GOLD

NEW RELEASE	EC NO:	2005/12/09	QUALITY SYMBOLS ▽=0 △=0	GENERAL TOLERANCES (UNLESS SPECIFIED)		DIMENSION STYLE MM ONLY		SCALE 4:1	DESIGN UNITS METRIC	THIRD ANGLE PROJECTION	
	DRWN:HP/IAN	2006/01/10		mm	INCH	DRAWN BY QIANHUIPING	DATE 2005/12/09	TITLE USB A UPRIGHT CONN. FLANGE OUT TYPE WITH FORK LOCK LEAD-FREE			
	CHKD:HARVEY	2006/01/10		4 PLACES ± --- ± ---		CHECKED BY HARVEY	DATE 2005/12/09				
	APPR:HWANG	2006/01/10		3 PLACES ± --- ± ---		APPROVED BY GARY	DATE 2005/12/09	MOLEX INCORPORATED			
DESCRIPTION	2 PLACES ± 0.15 ± ---	1 PLACE ± 0.15 ± ---		MATERIAL NO. 67329-803*	DOCUMENT NO. SD-67329-808	SHEET NO. 1 OF 1					
REV	ANGULAR ± 3 °		DRAFT WHERE APPLICABLE MUST REMAIN WITHIN DIMENSIONS		THIS DRAWING CONTAINS INFORMATION THAT IS PROPRIETARY TO MOLEX INCORPORATED AND SHOULD NOT BE USED WITHOUT WRITTEN PERMISSION						

9 8 7 6 5 4 3 2 1