



Chipsmall Limited consists of a professional team with an average of over 10 year of expertise in the distribution of electronic components. Based in Hongkong, we have already established firm and mutual-benefit business relationships with customers from,Europe,America and south Asia,supplying obsolete and hard-to-find components to meet their specific needs.

With the principle of “Quality Parts,Customers Priority,Honest Operation,and Considerate Service”,our business mainly focus on the distribution of electronic components. Line cards we deal with include Microchip,ALPS,ROHM,Xilinx,Pulse,ON,Everlight and Freescale. Main products comprise IC,Modules,Potentiometer,IC Socket,Relay,Connector.Our parts cover such applications as commercial,industrial, and automotives areas.

We are looking forward to setting up business relationship with you and hope to provide you with the best service and solution. Let us make a better world for our industry!



Contact us

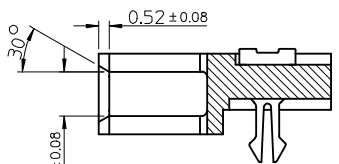
Tel: +86-755-8981 8866 Fax: +86-755-8427 6832

Email & Skype: info@chipsmall.com Web: www.chipsmall.com

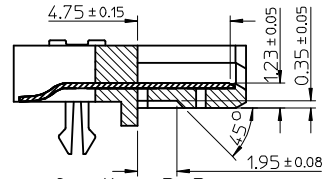
Address: A1208, Overseas Decoration Building, #122 Zhenhua RD., Futian, Shenzhen, China



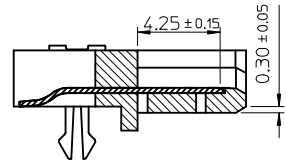
P/N	CONTACT AREA PLATING	REMARK	△PACKAGE
67490-3220	GOLD FLASH	PURE TIN	PK-67490-001 (TRAY)
67490-3221	0.76 MICRONS GOLD PLATED		
67490-3225	0.38 MICRONS GOLD PLATED	PURE TIN	PK-67490-005 (TAPE&REEL)
67490-3230	GOLD FLASH		
67490-3231	0.76 MICRONS GOLD PLATED		
67490-3235	0.38 MICRONS GOLD PLATED		



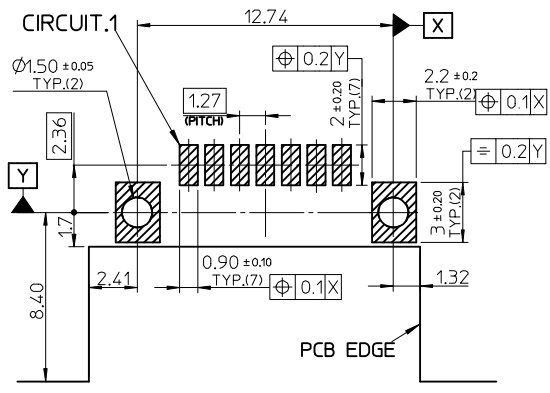
Section A-A



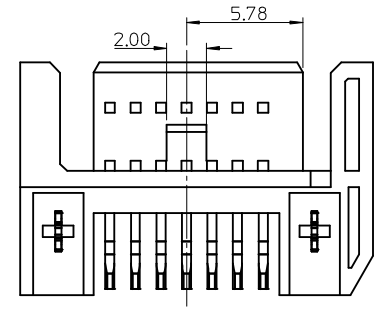
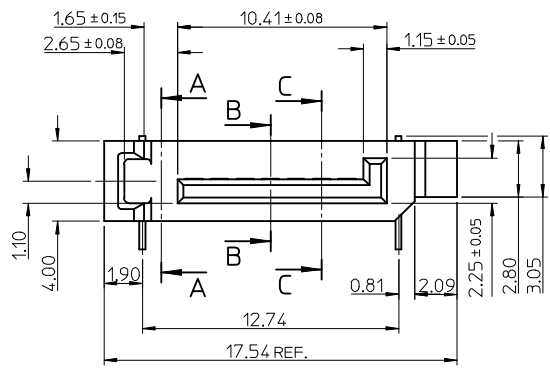
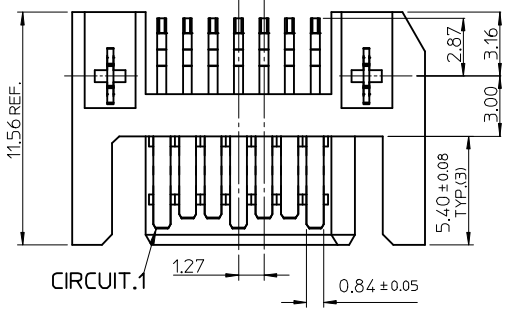
Section B-B



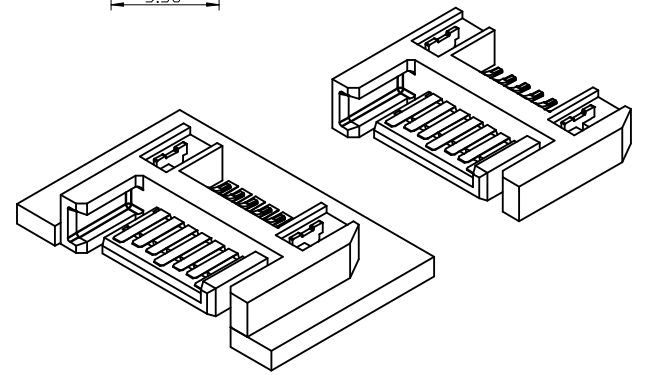
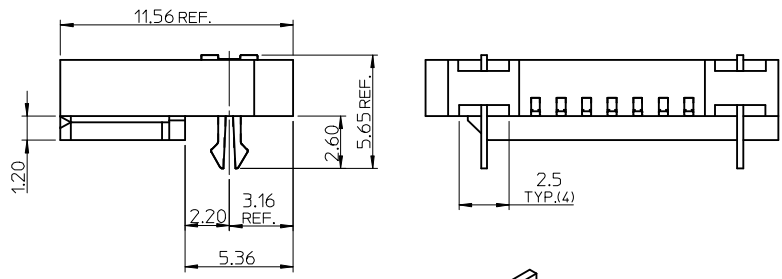
Section C-C



RECOMMEND PCB LAYOUT (t=1.6)



- NOTES:
- MATERIAL:
HOUSING: HIGH TEMPERATURE THERMAL PLASTIC
GLASS FILLED, UL94V-0, COLOR: BLACK
TERMINAL/FORKLOCK: COPPER ALLOY
MYLAR: ADHENSIVE MYLAR 4.5MM X 15.5MM
 - TERMINAL PLATING:
CONTACT AREA: GOLD PLATED
SOLDERING TAIL: 1.27 MICRONS MINIMUM TIN PLATED
UNDER PLATE: NICKEL 1.27 MICRONS MINIMUM NICKEL PLATED
 - FORKLOCK PLATING:
1.27 MICRONS MINIMUM TIN PLATED OVERALL 1.27 MICRONS MINIMUM NICKEL UNDER-PLATED
 - △PACKAGING SPECIFICATION REFER TO PK-67490-00*
 - PRODUCT SPECIFICATION REFER TO PS-67490-001
 - MATING PART: 67538,67489
 - PRODUCT COMPLIANT TO RoHS DIRECTIVE 2002/95/EC AND ELV 2000/53/EC.



ADD PART NUMBER EC NO: SH2008-0665 DRWN: LSONG09 2008/08/07 CHKD: XJ SONG 2008/08/13 APPR: H WANG 2008/09/01	QUALITY SYMBOLS ▽=0 ◻=0	GENERAL TOLERANCES (UNLESS SPECIFIED)		DIMENSION STYLE MM ONLY	SCALE 4:1	DESIGN UNITS METRIC	THIRD ANGLE PROJECTION		
		4 PLACES ± --- ± --- 3 PLACES ± --- ± --- 2 PLACES ± 0.15 ± --- 1 PLACE ± 0.25 ± ---	mm INCH	DRAWN BY RICHARD CHECKED BY VINCENT APPROVED BY ERICK	DATE '01/05/28 DATE '01/05/28 DATE '01/05/28	TITLE SATA SYSTEM PLUG R/A REVERSE TYPE			
		ANGULAR ± 3 °		MATERIAL NO. SEE TABLE	DATE '01/05/28	MOLEX INCORPORATED	DOCUMENT NO. SD-67490-001	SHEET NO. 1 OF 1	
		DRAFT WHERE APPLICABLE MUST REMAIN WITHIN DIMENSIONS		THIS DRAWING CONTAINS INFORMATION THAT IS PROPRIETARY TO MOLEX INCORPORATED AND SHOULD NOT BE USED WITHOUT WRITTEN PERMISSION					