



Chipsmall Limited consists of a professional team with an average of over 10 year of expertise in the distribution of electronic components. Based in Hongkong, we have already established firm and mutual-benefit business relationships with customers from,Europe,America and south Asia,supplying obsolete and hard-to-find components to meet their specific needs.

With the principle of “Quality Parts,Customers Priority,Honest Operation,and Considerate Service”,our business mainly focus on the distribution of electronic components. Line cards we deal with include Microchip,ALPS,ROHM,Xilinx,Pulse,ON,Everlight and Freescale. Main products comprise IC,Modules,Potentiometer,IC Socket,Relay,Connector.Our parts cover such applications as commercial,industrial, and automotives areas.

We are looking forward to setting up business relationship with you and hope to provide you with the best service and solution. Let us make a better world for our industry!



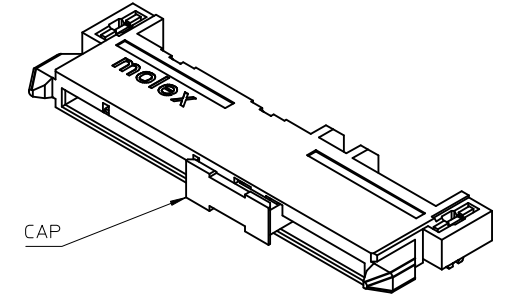
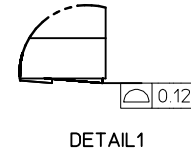
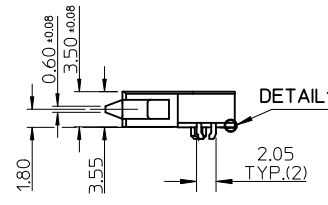
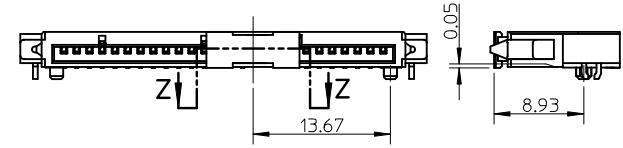
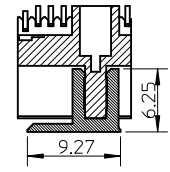
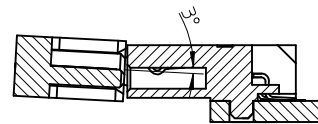
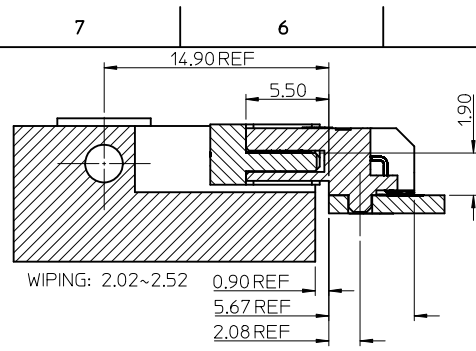
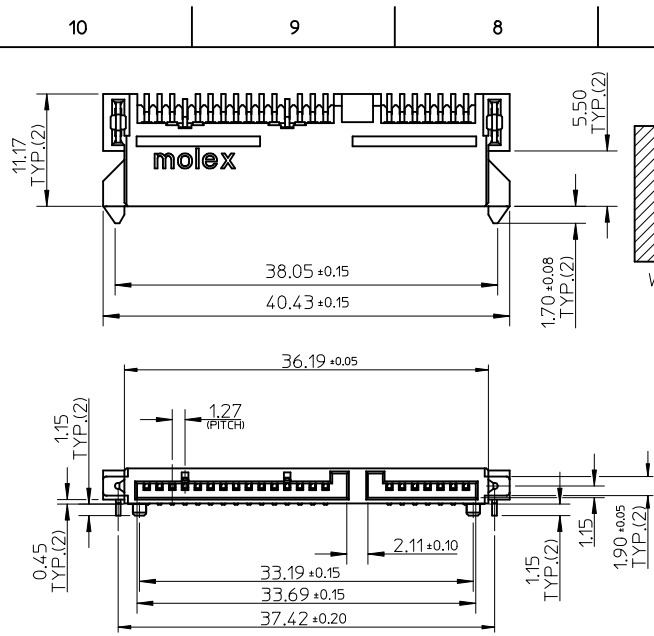
Contact us

Tel: +86-755-8981 8866 Fax: +86-755-8427 6832

Email & Skype: info@chipsmall.com Web: www.chipsmall.com

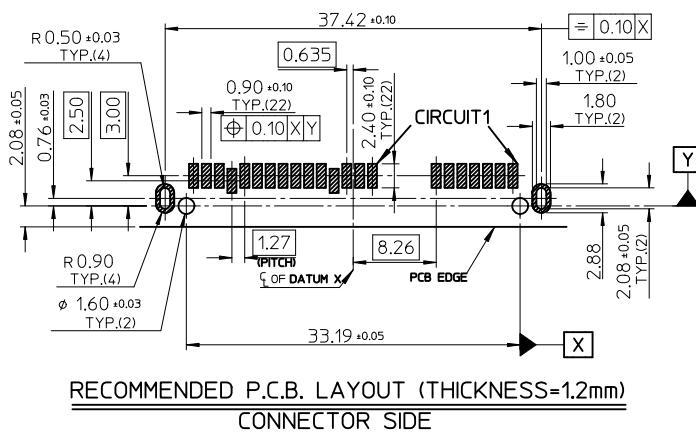
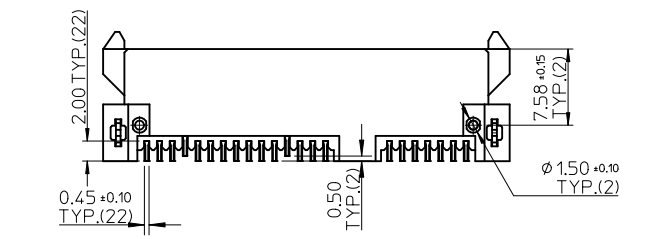
Address: A1208, Overseas Decoration Building, #122 Zhenhua RD., Futian, Shenzhen, China





- NOTES:**
- MATERIAL:**
HOUSING: HIGH TEMPERATURE THERMAL PLASTIC, UL94V-0, COLOR: BLACK.
TERMINAL: COPPER ALLOY;
FORKLOCK: COPPER ALLOY.
 - TERMINAL PLATING :**
CONTACT AREA:
(A) GOLD FLASH,
(B) GOLD, THICKNESS=0.76 MICRONS MINIMUM,
(C) GOLD, THICKNESS=0.38 MICRONS MINIMUM,
SOLDER AREA: TIN, THICKNESS=1.27 MICRONS MINIMUM,
UNDER PLATE: NICKEL, THICKNESS=1.27 MICRONS MINIMUM.
 - FORKLOCK PLATING:**
SOLDER AREA: TIN, THICKNESS=1.27 MICRONS MINIMUM,
UNDER PLATE: NICKEL, THICKNESS=1.27 MICRONS MINIMUM.
 - PRODUCT SPECIFICATION:** REFER TO PS-67492-001.
 - PACKAGING METHOD:** TAPE REEL, DETAIL REFER TO PK-67492-006.
 - MATING PARTS:** 87703/87672.

| P/N | PLATING | REMARK |
|------------|-------------|-------------|
| 67492-1930 | NOTES 2 (A) | WITH CAP |
| 67492-1931 | NOTES 2 (B) | |
| 67492-1932 | NOTES 2 (C) | WITHOUT CAP |
| 67492-1920 | NOTES 2 (A) | |
| 67492-1921 | NOTES 2 (B) | |
| 67492-1922 | NOTES 2 (C) | |



| | | | | | | |
|---|--|---------------------------------------|---|----------------------|--------------|------------------------|
| REVISED EC NO: SH2011-0354 DRAWING: 2011/05/27 CHKD: APPR: X.J.SONG 2011/06/02 | QUALITY SYMBOLS | GENERAL TOLERANCES (UNLESS SPECIFIED) | DIMENSION STYLE | SCALE | DESIGN UNITS | THIRD ANGLE PROJECTION |
| | ▽F=0 | mm INCH | MM ONLY | 2:1 | METRIC | |
| | ▽E=0 | 4 PLACES ± --- ± --- | DRAWN BY DATE | TITLE | | |
| | ▽F=0 | 3 PLACES ± --- ± --- | DIXON LI 2006/02/08 | SATA HOST RECEPTACLE | | |
| | 2 PLACES ± 0.15 ± --- | CHECKED BY DATE | R/A SMT TYPE | | | |
| | 1 PLACE ± 0.25 ± --- | JENNY ZENG 2006/02/08 | -LEAD FREE- | | | |
| | ANGULAR ± 3 ° | APPROVED BY DATE | MOLEX MOLEX INCORPORATED | | | |
| | DRAFT WHERE APPLICABLE MUST REMAIN WITHIN DIMENSIONS | GRATE MA 2006/02/08 | DOCUMENT NO. SD-67492-010 | | | |
| | | MATERIAL NO. | SHEET NO. 1 OF 1 | | | |
| | | SEE TABLE | THIS DRAWING CONTAINS INFORMATION THAT IS PROPRIETARY TO MOLEX INCORPORATED AND SHOULD NOT BE USED WITHOUT WRITTEN PERMISSION | | | |