



Chipsmall Limited consists of a professional team with an average of over 10 year of expertise in the distribution of electronic components. Based in Hongkong, we have already established firm and mutual-benefit business relationships with customers from,Europe,America and south Asia,supplying obsolete and hard-to-find components to meet their specific needs.

With the principle of "Quality Parts,Customers Priority,Honest Operation,and Considerate Service",our business mainly focus on the distribution of electronic components. Line cards we deal with include Microchip,ALPS,ROHM,Xilinx,Pulse,ON,Everlight and Freescale. Main products comprise IC,Modules,Potentiometer,IC Socket,Relay,Connector.Our parts cover such applications as commercial,industrial, and automotives areas.

We are looking forward to setting up business relationship with you and hope to provide you with the best service and solution. Let us make a better world for our industry!



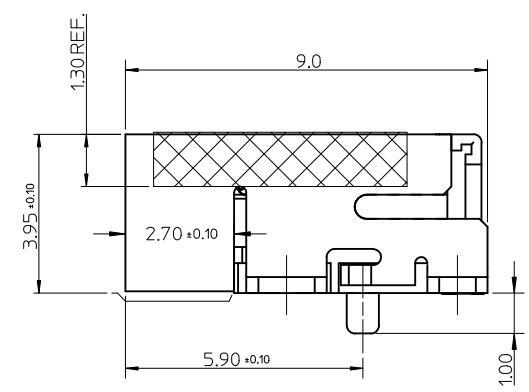
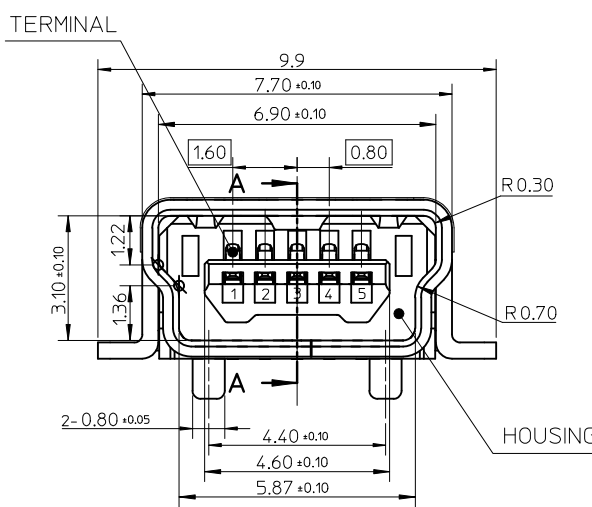
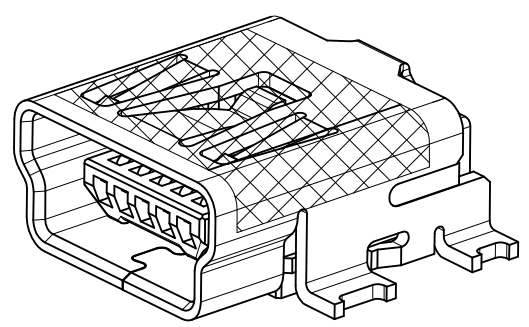
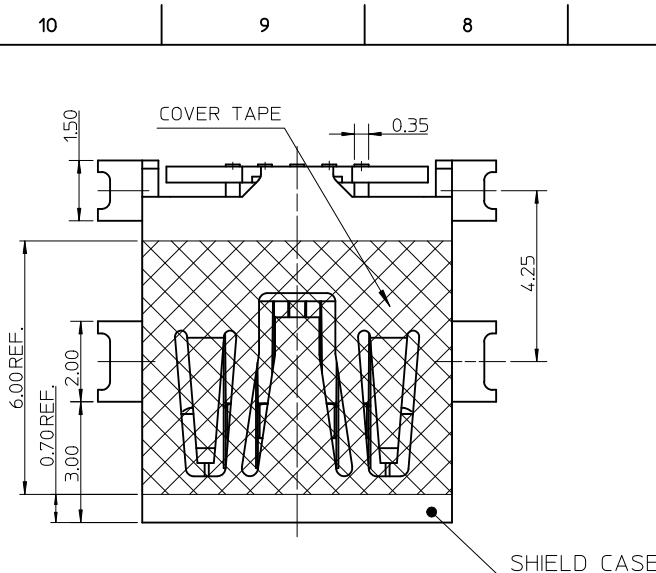
Contact us

Tel: +86-755-8981 8866 Fax: +86-755-8427 6832

Email & Skype: info@chipsmall.com Web: www.chipsmall.com

Address: A1208, Overseas Decoration Building, #122 Zhenhua RD., Futian, Shenzhen, China

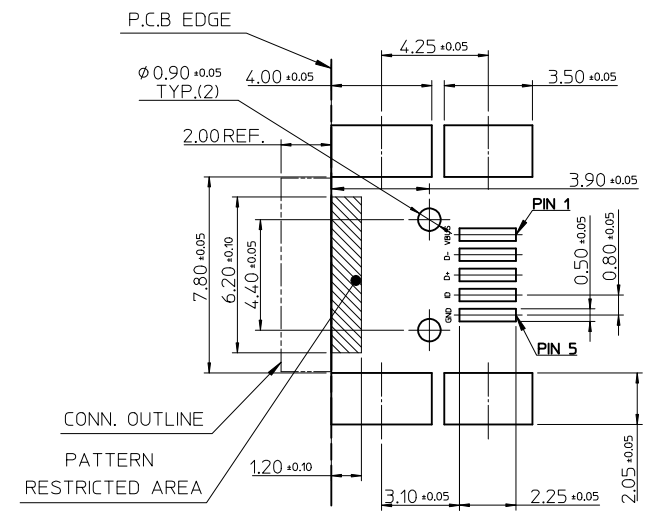




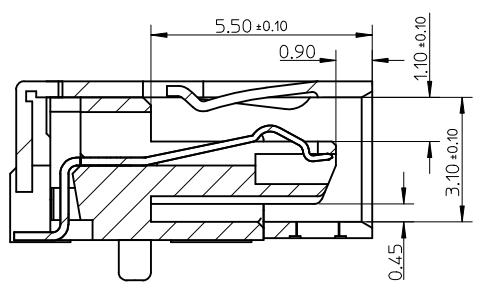
PRODUCT NO.	REMARK
67503-1020	N/A
67503-1120	HALOGEN FREE

NOTE :

- MATERIAL :
HOUSING : HIGH TEMPERATURE THERMAL PLASTIC ,
BLACK,UL94V-0
TERMINAL : COPPER ALLOY THICKNESS = 0.2 MM
SHIELD CASE : COPPER ALLOY THICKNESS = 0.4 MM
- PLATING :
TERMINAL:
CONTACT AREA : GOLD 0.75 MICROMETER MINIMUM.
SOLDER TAIL AREA : PURE TIN 1-3 MICROMETER PLATING.
UNDER PLATING : NICKEL 1.25 MICROMETER MINIMUM.
SHIELD CASE :
PURE TIN 1-3 MICROMETER PLATING.
UNDER PLATING : NICKEL 1.0 MICROMETER MINIMUM.
- TAIL & NAIL COPLANARITY 0.1 mm MAXIMUM.
- PRODUCT SPECIFICATION REFER TO PS-67803-001.
- PACKAGING INFORMATION REFER TO PK-67503-001.
- COMPLIANT TO RoHS DIRECTIVE 2002/95/EC AND ELV DIRECTIVE 2000/53/EC.



RECOMMENDED P.C.B. PATTERN LAYOUT



SECTION A-A

REMOVE PART NUMBER EC NO: SH2012-0143 DRWN:XQZHANG 2011/11/16 CHKD:GLLI 2011/11/16 APPR:XJSONG 2011/11/21	QUALITY SYMBOLS $\nabla_A = 0$ $\nabla_C = 0$ $\nabla_P = 0$	GENERAL TOLERANCES (UNLESS SPECIFIED)		DIMENSION STYLE MM ONLY	SCALE 8:1	DESIGN UNITS METRIC	THIRD ANGLE PROJECTION		
		4 PLACES ± --- ± --- 3 PLACES ± --- ± --- 2 PLACES ± 0.25 ± --- 1 PLACE ± 0.25 ± ---	mm INCH	DRAWN BY DATE LXWANG 2004/11/29	CHECKED BY DATE HARVEY 2004/11/29	TITLE USB SERIES MINI-B REC. ASS'Y SMT TYPE (LEAD FREE)			
		ANGULAR ± 3 °		APPROVED BY DATE YTYAP 2004/11/29	MOLEX INCORPORATED				
		DRAFT WHERE APPLICABLE MUST REMAIN WITHIN DIMENSIONS		MATERIAL NO. SEE TABLE	DOCUMENT NO. SD-67503-010	SHEET NO. 1 OF 1			