



Chipsmall Limited consists of a professional team with an average of over 10 year of expertise in the distribution of electronic components. Based in Hongkong, we have already established firm and mutual-benefit business relationships with customers from,Europe,America and south Asia,supplying obsolete and hard-to-find components to meet their specific needs.

With the principle of “Quality Parts,Customers Priority,Honest Operation,and Considerate Service”,our business mainly focus on the distribution of electronic components. Line cards we deal with include Microchip,ALPS,ROHM,Xilinx,Pulse,ON,Everlight and Freescale. Main products comprise IC,Modules,Potentiometer,IC Socket,Relay,Connector.Our parts cover such applications as commercial,industrial, and automotives areas.

We are looking forward to setting up business relationship with you and hope to provide you with the best service and solution. Let us make a better world for our industry!



Contact us

Tel: +86-755-8981 8866 Fax: +86-755-8427 6832

Email & Skype: info@chipsmall.com Web: www.chipsmall.com

Address: A1208, Overseas Decoration Building, #122 Zhenhua RD., Futian, Shenzhen, China



10 9 8 7 6 5 4 3 2 1

F

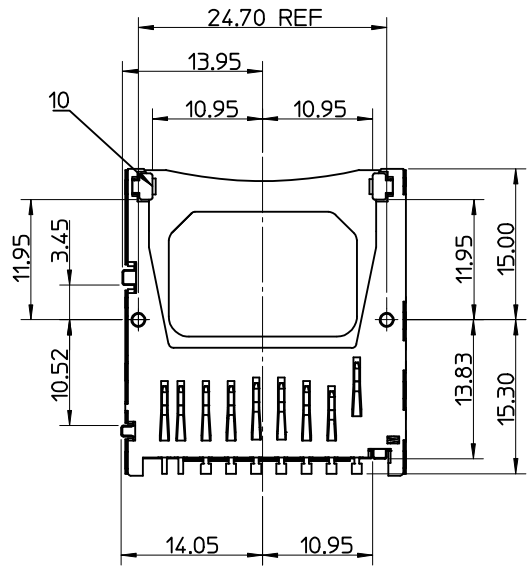
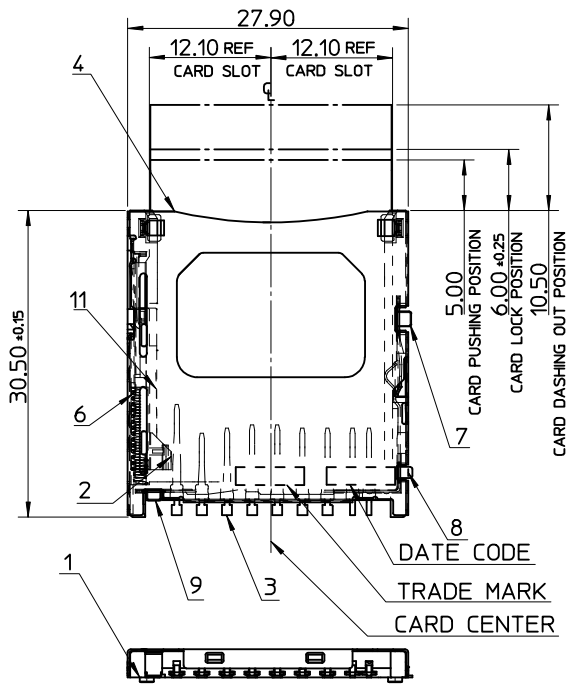
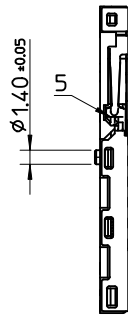
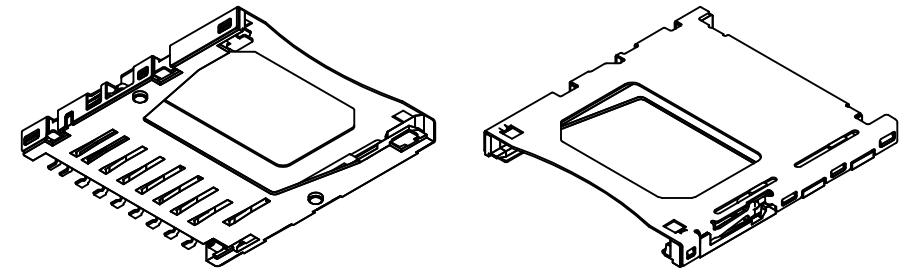
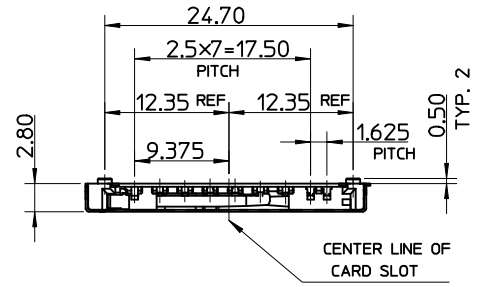
E

D

C

B

A



F

E

D

C

B

A

UPDATE DRAWING	2006/10/11	DRW: WJZHEN	2006/10/18	CHKD: JIAN	2006/10/19	APPR: JINCHEN
EC NO: SH2007-0231						
REV	DESCRIPTION					
B						

QUALITY SYMBOLS	▽=0		
	∇=0		
	GENERAL TOLERANCES (UNLESS SPECIFIED)		
		mm	INCH
	4 PLACES	± ---	± ---
3 PLACES	± ---	± ---	
2 PLACES	± 0.25	± ---	
1 PLACE	± 0.25	± ---	
ANGULAR ± 3 °			
DRAFT WHERE APPLICABLE MUST REMAIN WITHIN DIMENSIONS			

DIMENSION STYLE		SCALE	DESIGN UNITS	THIRD ANGLE PROJECTION
MM ONLY		1:1	METRIC	
DRAWN BY	DATE	TITLE		
MAX	2003/01/30	SD MEMORY CARD CONN. ASS'Y (TOP MOUNT) FOR LEAD FREE		
CHECKED BY	DATE	MOLEX INCORPORATED		
WILSON	2003/01/30	DOCUMENT NO. SD-67600-004		
APPROVED BY	DATE	SHEET NO. 1 OF 2		
ERICK	2003/01/30			
MATERIAL NO.	THIS DRAWING CONTAINS INFORMATION THAT IS PROPRIETARY TO MOLEX INCORPORATED AND SHOULD NOT BE USED WITHOUT WRITTEN PERMISSION			
67600-0004				
SIZE A3				

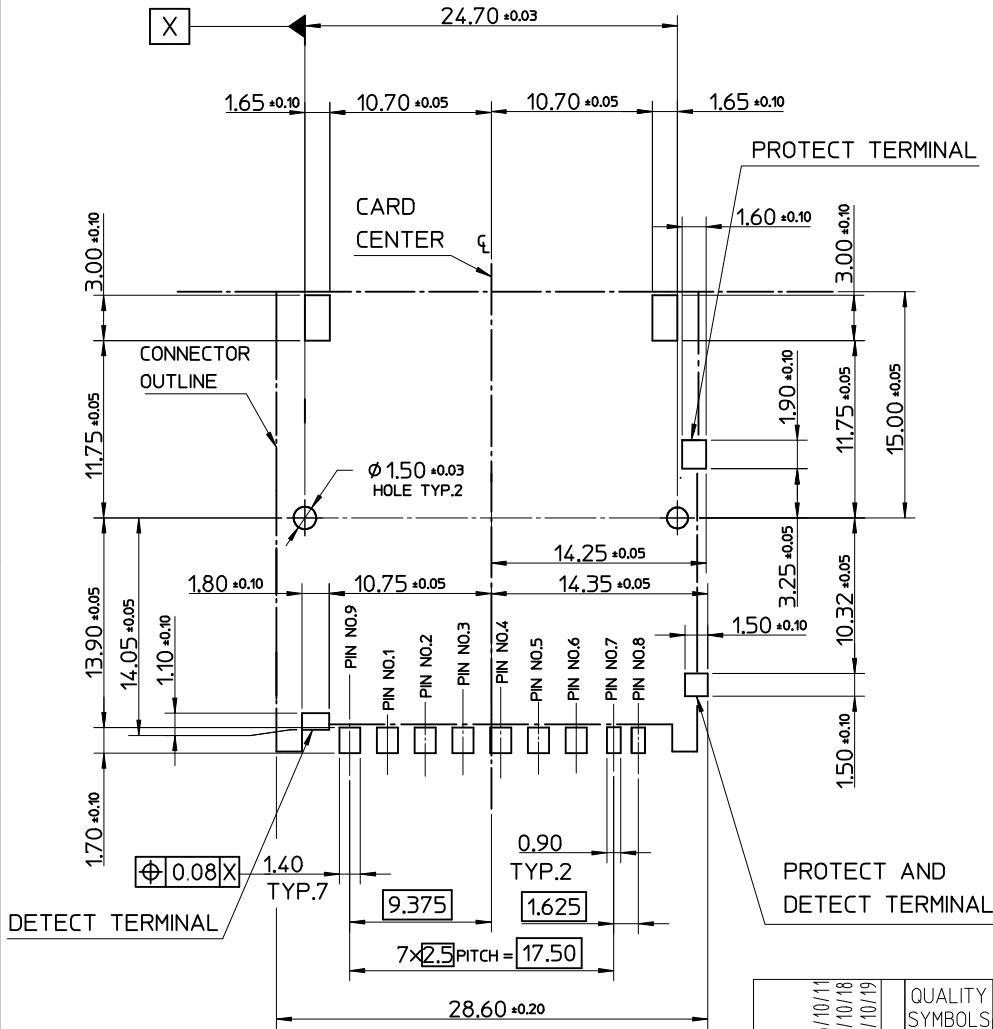
9 8 7 6 5 4 3 2 1

- NOTES:
- 1.TERMINAL AND NAIL COPLANARITY TO BE 0.1 MAX.
 - 2.WHEN DELIVERING, THE PUSH/PUSH MECHANISM IS IN THE STATE OF THE UNLOCK.(CARD DASHING OUT POSITION)
 - 3.CARD READ ONLY BY THE TIME THE CARD DETECTION SWITCH WORKS.
 - 4.OPENING AND CLOSE OF EACH SWITCH.

CARD INSERTION STATUS	WRITE PROTECT SWITCH		CARD DETECT SWITCH
	WRITE PROTECT POSITION	WRITE ENABLE POSITION	
CARD UNINSERTION	OPEN	OPEN	OPEN
CARD HALF INSERTION	CLOSE	CLOSE	OPEN
CARD INSERTION	OPEN	CLOSE	CLOSE

5.MATERIAL AND FINISH AS BELOW
 CONTACT AREA:
 GOLD, THICKNESS=0.2 MICRON MIN.
 SOLDER TAIL AREA(A): TIN, THICKNESS=1.27 MICRON MIN.
 (B): GOLD FLASH, THICKNESS=0.05 MICRON MIN.
 UNDER PLATE: NICKEL, THICKNESS=1 MICRON MIN.

6. PRODUCT SPECIFICATION : PER PS-67600-004
7. TAPE AND REEL REFERS TO SD-67600-002 SHEET3



RECOMMENDED PCB PATTERN LAYOUT

UPDATE DRAWING	EC NO: SH2007-0231	2006/10/11
DRW:WZCHEN	CHKD:JTIAN	2006/10/18
APPR:JNCHEN		2006/10/19
REV	DESCRIPTION	

QUALITY SYMBOLS	▽=0
	∇=0
GENERAL TOLERANCES (UNLESS SPECIFIED)	mm
	INCH
DRAFT WHERE APPLICABLE MUST REMAIN WITHIN DIMENSIONS	4 PLACES ± --- ± ---
	3 PLACES ± --- ± ---
	2 PLACES ± 0.25 ± ---
	1 PLACE ± 0.25 ± ---
ANGULAR ± 3 °	

DIMENSION STYLE		SCALE	DESIGN UNITS	THIRD ANGLE PROJECTION
MM ONLY		1:1	METRIC	
DRAWN BY	DATE	TITLE		
MAX	2003/01/30	SD MEMORY CARD CONN. ASS'Y (TOP MOUNT) FOR LEAD FREE		
CHECKED BY	DATE	MOLEX INCORPORATED		
WILSON	2003/01/30	DOCUMENT NO. SD-67600-004		
APPROVED BY	DATE	SHEET NO. 2 OF 2		
ERICK	2003/01/30			
MATERIAL NO.	67600-0004			

THIS DRAWING CONTAINS INFORMATION THAT IS PROPRIETARY TO MOLEX INCORPORATED AND SHOULD NOT BE USED WITHOUT WRITTEN PERMISSION	
---	--