



Chipsmall Limited consists of a professional team with an average of over 10 year of expertise in the distribution of electronic components. Based in Hongkong, we have already established firm and mutual-benefit business relationships with customers from,Europe,America and south Asia,supplying obsolete and hard-to-find components to meet their specific needs.

With the principle of “Quality Parts,Customers Priority,Honest Operation,and Considerate Service”,our business mainly focus on the distribution of electronic components. Line cards we deal with include Microchip,ALPS,ROHM,Xilinx,Pulse,ON,Everlight and Freescale. Main products comprise IC,Modules,Potentiometer,IC Socket,Relay,Connector.Our parts cover such applications as commercial,industrial, and automotives areas.

We are looking forward to setting up business relationship with you and hope to provide you with the best service and solution. Let us make a better world for our industry!



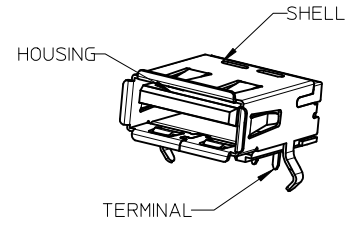
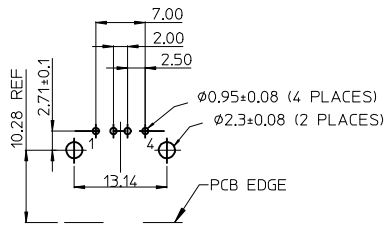
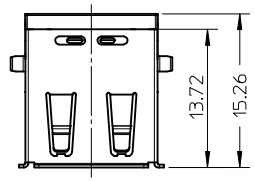
Contact us

Tel: +86-755-8981 8866 Fax: +86-755-8427 6832

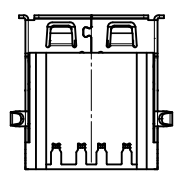
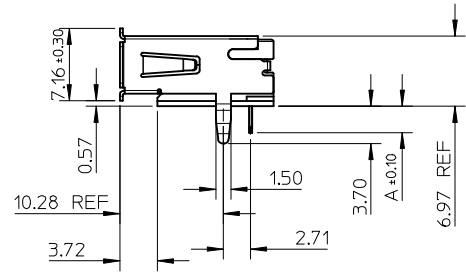
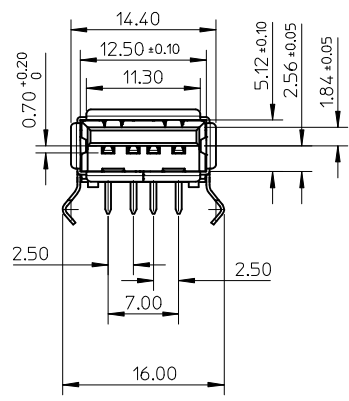
Email & Skype: info@chipsmall.com Web: www.chipsmall.com

Address: A1208, Overseas Decoration Building, #122 Zhenhua RD., Futian, Shenzhen, China





PCB LAYOUT (TOP VIEW)



- NOTES:
- MATERIAL:
METAL SHELL: COPPER ALLOY.
HOUSING: SEE CHART. 30% GLASS FIBER FILLED, UL94-V0.
TERMINAL: PHOSPHOR BRONZE
 - TERMINAL:
CONTACT AREA: GOLD FLASH.
(b) GOLD (Au), THICKNESS=0.76µM/ 30µMCH MINIMUM.
SOLDER TAIL: TIN PLATED, THICKNESS=1.9µM/ 75µMCH MINIMUM.
UNDER PLATED NICKEL (Ni), THICKNESS=1.25µM/ 50µMCH MINIMUM.
METAL SHELL: SEE CHART.
 - RECOMMENDED PCB THICKNESS: SEE CHART
 - PRODUCT SPECIFICATION: FOR IR REFER TO PS-67643-002
FOR NON IR REFER TO PS-67643-003
 - TORQUE FORCE SPEC: 2.50kg-cm Min, MEASURED AT BROKEN POINT.
 - TEST SUMMARY: FOR IR REFER TO TS-67643-002
FOR NON IR REFER TO TS-67643-003
 - PACKAGE: REFER TO PK-67643-002
 - LEAD FREE AND ROHS COMPLIANT PRODUCT

REVISE TO BRIGHT TIN EC NO: SH2014-0532 DRWN: FYANG05 CHKD: APPR: RZHANG 2014/06/17 2014/08/11	QUALITY SYMBOLS	GENERAL TOLERANCES (UNLESS SPECIFIED)	DIMENSION STYLE	SCALE	DESIGN UNITS	THIRD ANGLE PROJECTION
	$\nabla_A = 0$ $\nabla_C = 0$ $\nabla_P = 0$	mm INCH 4 PLACES ± --- ± --- 3 PLACES ± --- ± --- 2 PLACES ± 0.25 ± --- 1 PLACE ± 0.25 ± --- 0 PLACE ± --- ± ---	MM ONLY	2:1	METRIC	
	DRAFT WHERE APPLICABLE MUST REMAIN WITHIN DIMENSIONS	DRAWN BY: FYANG05 DATE: 2013/12/12 CHECKED BY: DATE: APPROVED BY: DATE:	TITLE	USB A TYPE RECT SINGLE RA THROUGH HOLE W/O FLG LEAD-FREE molex		
	MATERIAL NO. SEE TABLE SIZE: A3 THIS DRAWING CONTAINS INFORMATION THAT IS PROPRIETARY TO MOLEX INCORPORATED AND SHOULD NOT BE USED WITHOUT WRITTEN PERMISSION	DOCUMENT NO. SD-67643-003	SHEET NO.	1 OF 2		

P/N	HOUSING MATERIAL	COLOR	CONTACT PLATING	METAL SHELL PLATING	REMARK
67643-0910	POLYESTER	BLACK	GOLD FLASH	BRIGHT TIN PLATED. THICKNESS= 1.25MM/50MNCH MINIMUM UNDER PLATE:NICKEL (Ni).	NON IR RPOCESEE
67643-2910	HIGH TEMPERATURE NYLON	BLACK			FOR IR
67643-3910	HIGH TEMPERATURE NYLON	WHITE	REFLOW PROCESS		
67643-2911	HIGH TEMPERATURE NYLON	BLACK	0.76MM/30MNCH		FOR IR
67643-3911	HIGH TEMPERATURE NYLON	WHITE			REFLOW PROCESS
PCB THICKNESS		1.60±0.05			
DIMENSION *A*		2.60			

P/N	HOUSING MATERIAL	COLOR	CONTACT PLATING	METAL SHELL PLATING	REMARK
67643-1930	HIGH TEMPERATURE NYLON	WHITE	GOLD FLASH	BRIGHT TIN PLATED. THICKNESS= 1.25MM/50MNCH MINIMUM UNDER PLATE:NICKEL (Ni).	REFLOW PROCESS
PCB THICKNESS		1.20±0.05			
DIMENSION *A*		2.00			

SEE SHEET1 EC NO: SHZ014-0532 DRWN:FYANG05 CHKD: APPR:RZHANG 2014/06/17 2014/08/11	DESCRIPTION REV	QUALITY SYMBOLS	GENERAL TOLERANCES (UNLESS SPECIFIED)	DIMENSION STYLE	SCALE	DESIGN UNITS	THIRD ANGLE PROJECTION
		$F_A=0$ $F_G=0$ $F_P=0$	mm INCH	MM ONLY	2:1	METRIC	TITLE USB A TYPE RECT SINGLE RA THROUGH HOLE W/O FLG LEAD-FREE
		4 PLACES ± --- ± --- 3 PLACES ± --- ± --- 2 PLACES ± 0.25 ± --- 1 PLACE ± 0.25 ± --- 0 PLACE ± --- ± ---	DRAWN BY: FYANG05 DATE: 2013/12/12 CHECKED BY: DATE: APPROVED BY: DATE:				
		ANGULAR ± 3 ° DRAFT WHERE APPLICABLE MUST REMAIN WITHIN DIMENSIONS	MATERIAL NO. SEE TABLE SIZE: A3	DOCUMENT NO. SD-67643-003 SHEET NO. 2 OF 2			

molex

THIS DRAWING CONTAINS INFORMATION THAT IS PROPRIETARY TO MOLEX INCORPORATED AND SHOULD NOT BE USED WITHOUT WRITTEN PERMISSION