



Chipsmall Limited consists of a professional team with an average of over 10 year of expertise in the distribution of electronic components. Based in Hongkong, we have already established firm and mutual-benefit business relationships with customers from,Europe,America and south Asia,supplying obsolete and hard-to-find components to meet their specific needs.

With the principle of “Quality Parts,Customers Priority,Honest Operation,and Considerate Service”,our business mainly focus on the distribution of electronic components. Line cards we deal with include Microchip,ALPS,ROHM,Xilinx,Pulse,ON,Everlight and Freescale. Main products comprise IC,Modules,Potentiometer,IC Socket,Relay,Connector.Our parts cover such applications as commercial,industrial, and automotives areas.

We are looking forward to setting up business relationship with you and hope to provide you with the best service and solution. Let us make a better world for our industry!



Contact us

Tel: +86-755-8981 8866 Fax: +86-755-8427 6832

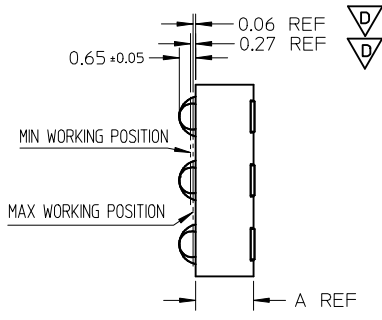
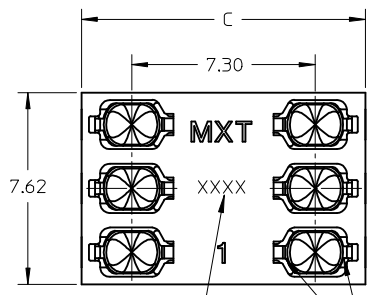
Email & Skype: info@chipsmall.com Web: www.chipsmall.com

Address: A1208, Overseas Decoration Building, #122 Zhenhua RD., Futian, Shenzhen, China

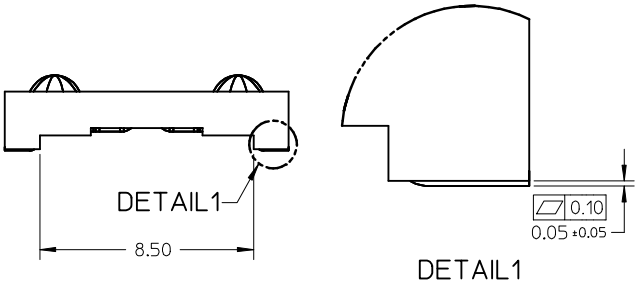
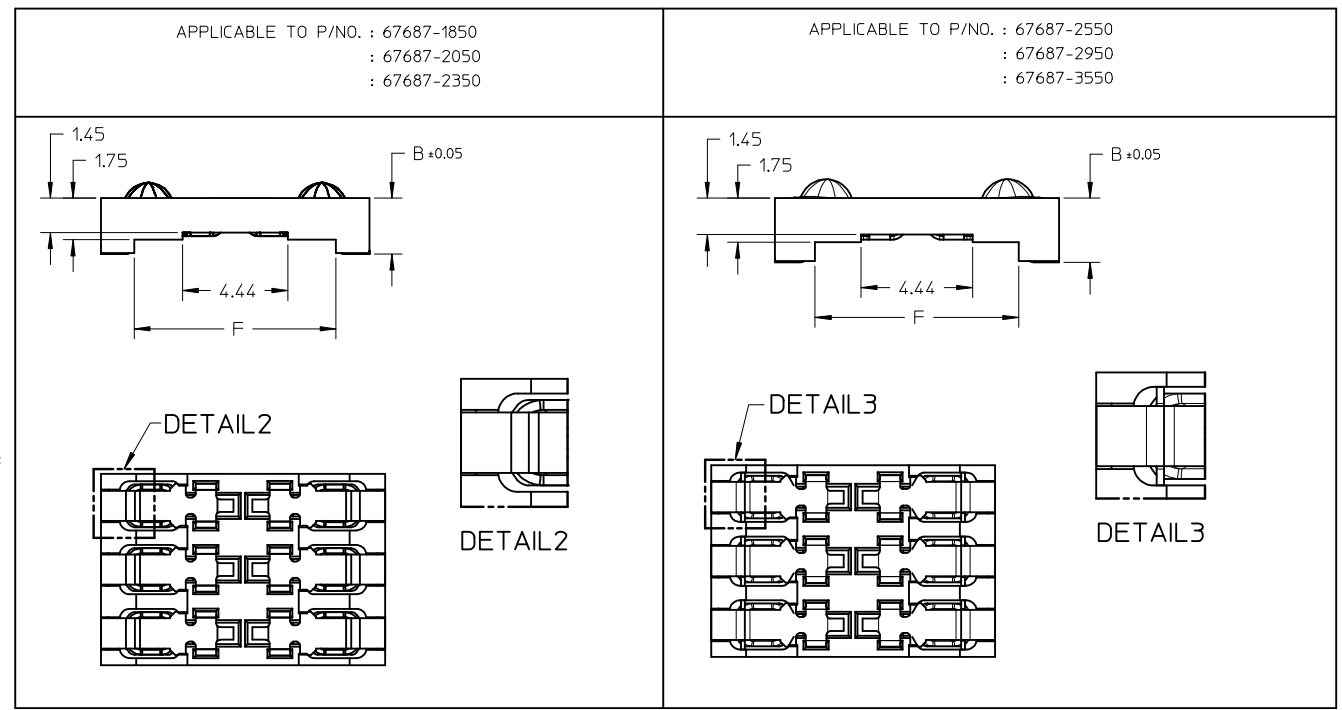


| | DIMENSION F | DIMENSION E | DIMENSION D | DIMENSION C | DIMENSION A | PART NUMBER |
|------|-------------|-------------|-------------|-------------|-------------|-------------|
| 8.50 | 9.95 | 1.00 | 11.30 | 1.80 | 67687-1850 | |
| | 10.05 | 1.20 | 11.70 | 2.00 | 67687-2050 | |
| | 9.95 | 1.00 | 11.30 | 2.30 | 67687-2350 | |
| 8.10 | 9.95 | 1.00 | 11.30 | 2.45 | 67687-2550 | |
| | 9.95 | 1.00 | 11.30 | 2.90 | 67687-2950 | |
| | 9.95 | 1.00 | 11.30 | 3.50 | 67687-3550 | |

*.DIMB=DIMA+0.05



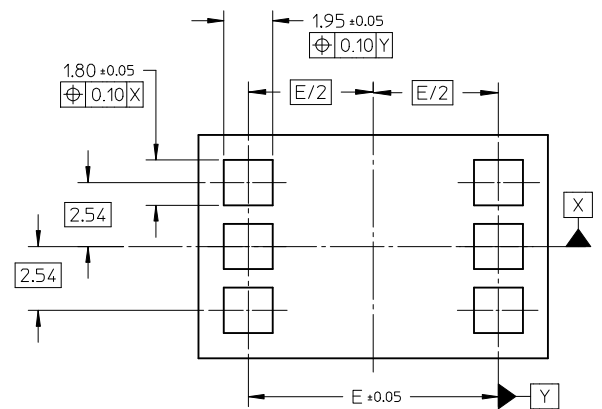
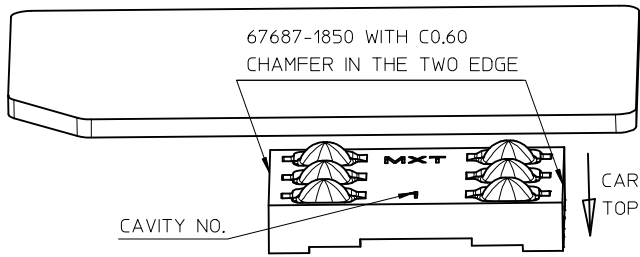
DATE CODE (INK JET)
 X X X X _DAY COUNTED FROM FIRST
 | | | |
 | | | | _DAY OF THE YEAR
 L - - - - -YEAR
 EX. 2002/01/15-->2015
 2002/02/10-->2041
 2003/03/10-->3069



NOTES:
 1.MATERIAL:
 HOUSING: HIGH TEMPERATURE PLASTIC,
 TERMINAL: COPPER ALLOY
 2.PLATING:
 CONTACT AREA PLATING:
 30u" MIN GOLD OVER 50u"MIN NICKEL PLATING
 SOLDERING AREA PLATING:
 100u" MIN PURE TIN OVER 50u"MIN NICKEL PLATING
 VISIBLE AREA PLATING:
 GOLD FLASH OVER 50u" MIN NICKEL PLATING
 3.PACKAGING:TAPE REEL
 4.PRODUCT SPECIFICATION:PS-67687-001
 5.COMPLIANT TO RoHS DIRECTIVE 2002/95/EC AND
 ELV DIRECTIVE 2000/53/EC.

| | | | | | | | | |
|-----------------------------------------------------------------------------|-------------------------------------------------------|------------------------------------------------------|-------------------------------------------------------------------------------------------------------------------------------|-----------------|-----------------------------------------------|--------------|------------------------|--|
| ADD VIEW EC NO: S2013-0219 DRWN: JIAN02 CHKD: FCS00 APPR: KHLIM | DESCRIPTION 2012/11/05 2012/11/07 2012/11/16 | QUALITY SYMBOLS | GENERAL TOLERANCES (UNLESS SPECIFIED) | DIMENSION STYLE | SCALE | DESIGN UNITS | THIRD ANGLE PROJECTION | |
| | | $F_A=0$ | mm INCH | MM ONLY | NTS | METRIC | | |
| | | $F_E=0$ | 4 PLACES ± --- ± --- | DRAWN BY DATE | TITLE 6 CKTS SIM CARD CONNECTOR SD DRAWING | | | |
| | | $F_F=0$ | 3 PLACES ± --- ± --- | CHECKED BY DATE | | | | |
| | 2 PLACES ± 0.05 ± --- | APPROVED BY DATE | DOCUMENT NO. SHEET NO. SD-67687-511 1 OF 2 | | | | | |
| | 1 PLACE ± 0.10 ± --- | SAMHUANG 2004/11/04 | | | | | | |
| | 0 PLACE ± ± | MATERIAL NO. | THIS DRAWING CONTAINS INFORMATION THAT IS PROPRIETARY TO MOLEX INCORPORATED AND SHOULD NOT BE USED WITHOUT WRITTEN PERMISSION | | | | | |
| | ANGULAR ± 2 ° | SIZE A3 | | | | | | |
| | | DRAFT WHERE APPLICABLE MUST REMAIN WITHIN DIMENSIONS | SEE TABLE | | | | | |

10 9 8 7 6 5 4 3 2 1



RECOMMENDED PCB LAYOUT

| | | | | | | | | | | |
|------------------------------------------------------------------------------------|----------------------------------------|---------------------------|-------------------------------|------------------------------------------------------------------------------------------------------------------|-------------------------|-----------------------------------|------------------------------------------------------|--------------|------------------------|------------------------|
| ADD VIEW EC NO: S2013-0219 DRWN: JTAN02 CHKD: FCS00 APPR: KHLIM | 2012/11/05 2012/11/07 2012/11/16 | DESCRIPTION REV | QUALITY SYMBOLS | GENERAL TOLERANCES (UNLESS SPECIFIED) | | DIMENSION STYLE MM ONLY | | SCALE NTS | DESIGN UNITS METRIC | THIRD ANGLE PROJECTION |
| | | | $F_A=0$ $F_C=0$ $F_D=0$ | mm INCH | DRAWN BY SSUN | DATE 2004/11/04 | TITLE 6 CKTS SIM CARD CONNECTOR SD DRAWING | | | |
| | | | | 4 PLACES ± --- ± --- 3 PLACES ± --- ± --- 2 PLACES ± 0.05 ± --- 1 PLACE ± 0.10 ± --- 0 PLACE ± ± | CHECKED BY RZHAO | DATE 2004/11/04 | | | | |
| | | | | ANGULAR ± 2 ° DRAFT WHERE APPLICABLE MUST REMAIN WITHIN DIMENSIONS | APPROVED BY SAMHUANG | DATE 2004/11/04 | DOCUMENT NO. SD-67687-511 | | | |
| | SIZE A3 | MATERIAL NO. SEE TABLE | | | SHEET NO. 2 OF 2 | | | | | |



9 8 7 6 5 4 3 2 1