



Chipsmall Limited consists of a professional team with an average of over 10 year of expertise in the distribution of electronic components. Based in Hongkong, we have already established firm and mutual-benefit business relationships with customers from,Europe,America and south Asia,supplying obsolete and hard-to-find components to meet their specific needs.

With the principle of “Quality Parts,Customers Priority,Honest Operation,and Considerate Service”,our business mainly focus on the distribution of electronic components. Line cards we deal with include Microchip,ALPS,ROHM,Xilinx,Pulse,ON,Everlight and Freescale. Main products comprise IC,Modules,Potentiometer,IC Socket,Relay,Connector.Our parts cover such applications as commercial,industrial, and automotives areas.

We are looking forward to setting up business relationship with you and hope to provide you with the best service and solution. Let us make a better world for our industry!



Contact us

Tel: +86-755-8981 8866 Fax: +86-755-8427 6832

Email & Skype: info@chipsmall.com Web: www.chipsmall.com

Address: A1208, Overseas Decoration Building, #122 Zhenhua RD., Futian, Shenzhen, China



10 9 8 7 6 5 4 3 2 1

F

E

D

C

B

A

F

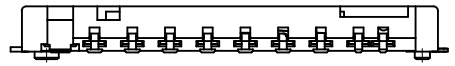
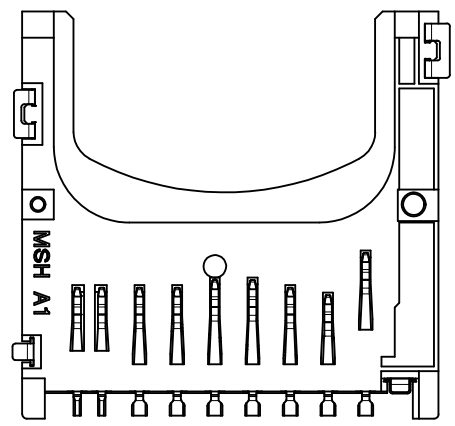
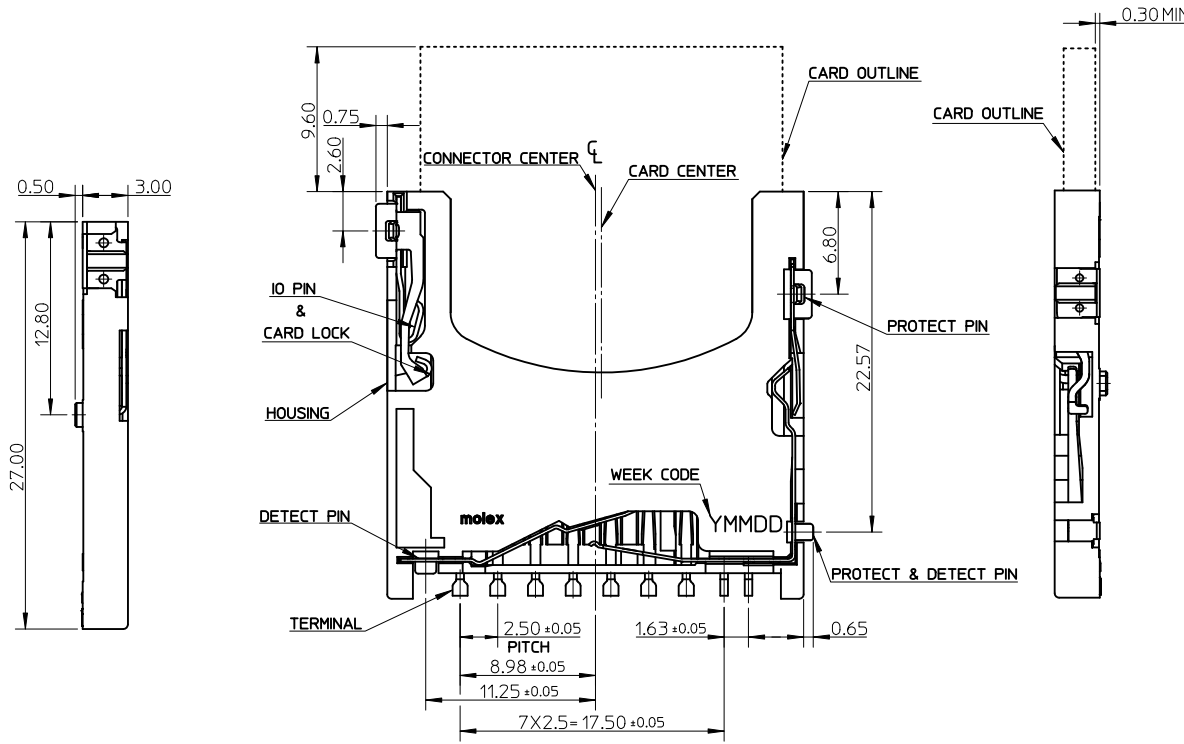
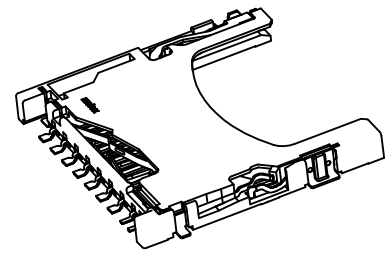
E

D

C

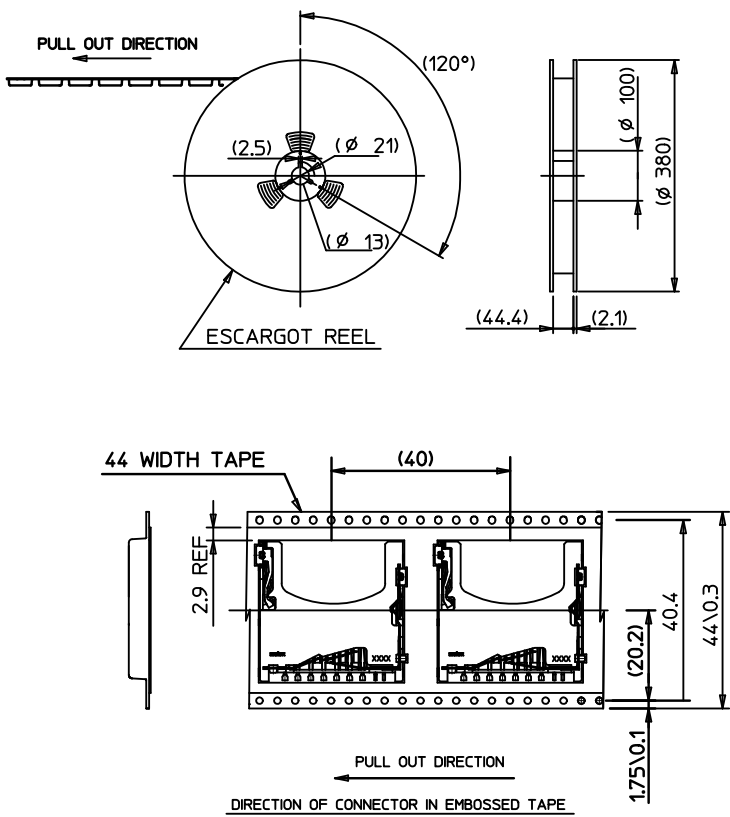
B

A



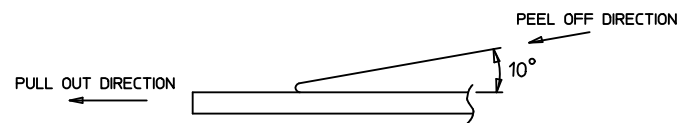
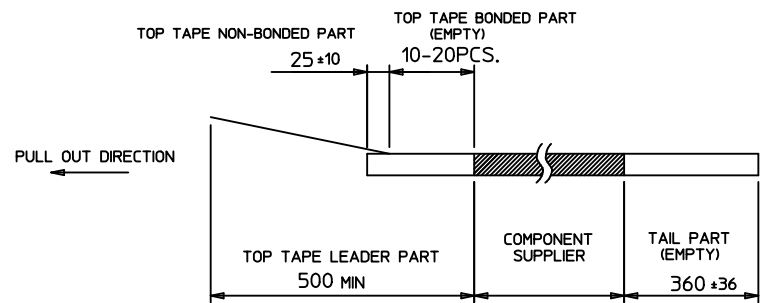
REVISED EC NO: SH2010-0390 DRWN: XQZHANG CHYKD-GLLI APPR: XJSONG 2010/04/07 2010/04/13 2010/05/18	QUALITY SYMBOLS $F_s=0$ $F_C=0$ $F_P=0$	GENERAL TOLERANCES (UNLESS SPECIFIED)		DIMENSION STYLE MM ONLY		SCALE 1:1	DESIGN UNITS METRIC	THIRD ANGLE PROJECTION	
			mm	INCH	DRAWN BY	DATE	TITLE		
		4 PLACES	± ---	± ---	QLZHANG	2004/12/01	SD MEMORY CARD CONNECTOR		
		3 PLACES	± ---	± ---	CHECKED BY	DATE	NORMAL TYPE(NO PUSH FUNCTION,LEAD-FREE)		
			2 PLACES	± 0.25	± ---	HARVEY	2004/12/01	MOLEX INCORPORATED	
			1 PLACE	± 0.25	± ---	APPROVED BY	DATE	MATERIAL NO.	
			ANGULAR ± 2 °			XJSONG	2010/04/14	DOCUMENT NO.	
			DRAFT WHERE APPLICABLE MUST REMAIN WITHIN DIMENSIONS			67781-8001		SD-67781-004	
					SIZE	THIS DRAWING CONTAINS INFORMATION THAT IS PROPRIETARY TO MOLEX INCORPORATED AND SHOULD NOT BE USED WITHOUT WRITTEN PERMISSION			
					A3	SHEET NO.			
						1 OF 3			

9 8 7 6 5 4 3 2 1



NOTES

1. NUMBER OF CONNECTORS: 400 PCS/REEL
2. TOP TAPE NON-BONDED PART: 25±10; TOP TAPE BONDED PART (EMPTY): 10-20PCS.
3. PEEL-OFF FORCE OF TOP TAPE: 0.1 - 1.3 N (10.2 - 130gf) (PEELING DIRECTION AS SHOWN IN FOLLOWING FIG.) <PEEL-OFF SPEED:300mm/min (REF)>



SEE SHEET 1 EC NO: SH2010-0390 DRWN:XQZHANG CHKD:GLLI APPR:XJSONG	REV DESCRIPTION 2010/04/07 2010/04/13 2010/05/18	QUALITY SYMBOLS	GENERAL TOLERANCES (UNLESS SPECIFIED)		DIMENSION STYLE MM ONLY		SCALE 1:1	DESIGN UNITS METRIC	THIRD ANGLE PROJECTION	
		$F_{\alpha} = 0$	mm	INCH	DRAWN BY QLZHANG	DATE 2004/12/01	TITLE SD MEMORY CARD CONNECTOR NORMAL TYPE(NO PUSH FUNCTION,LEAD-FREE)			
		$F_{\beta} = 0$	4 PLACES ± ---	± ---	CHECKED BY HARVEY	DATE 2004/12/01				
		$F_{\gamma} = 0$	3 PLACES ± ---	± ---	APPROVED BY XJSONG	DATE 2010/04/14	MATERIAL NO. 67781-8001			
		2 PLACES ± 0.25	± ---	DRAFT WHERE APPLICABLE MUST REMAIN WITHIN DIMENSIONS		MOLEX INCORPORATED		DOCUMENT NO. SD-67781-004		
		1 PLACE ± 0.25	± ---	SIZE A3		THIS DRAWING CONTAINS INFORMATION THAT IS PROPRIETARY TO MOLEX INCORPORATED AND SHOULD NOT BE USED WITHOUT WRITTEN PERMISSION				
		ANGULAR ± 2 °					SHEET NO. 3 OF 3			