



Chipsmall Limited consists of a professional team with an average of over 10 year of expertise in the distribution of electronic components. Based in Hongkong, we have already established firm and mutual-benefit business relationships with customers from,Europe,America and south Asia,supplying obsolete and hard-to-find components to meet their specific needs.

With the principle of “Quality Parts,Customers Priority,Honest Operation,and Considerate Service”,our business mainly focus on the distribution of electronic components. Line cards we deal with include Microchip,ALPS,ROHM,Xilinx,Pulse,ON,Everlight and Freescale. Main products comprise IC,Modules,Potentiometer,IC Socket,Relay,Connector.Our parts cover such applications as commercial,industrial, and automotives areas.

We are looking forward to setting up business relationship with you and hope to provide you with the best service and solution. Let us make a better world for our industry!



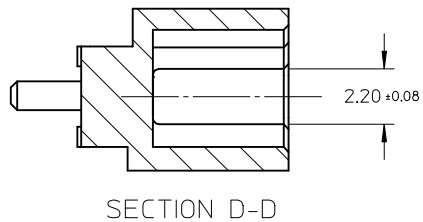
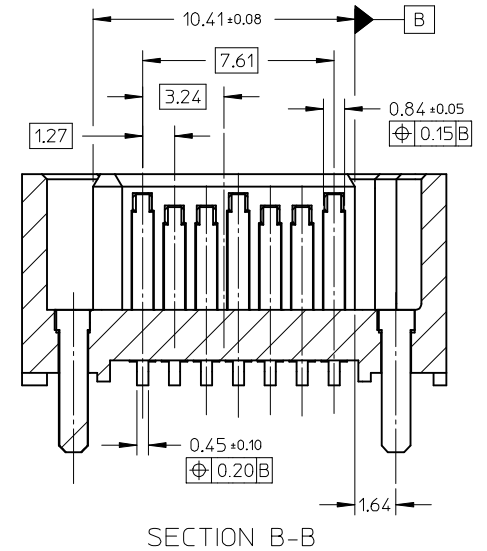
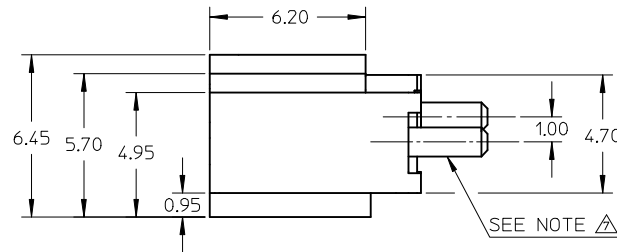
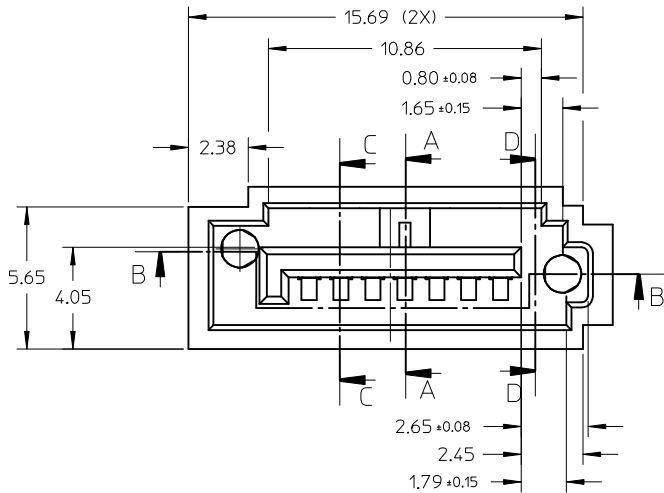
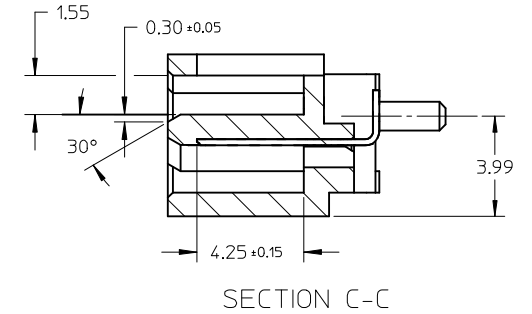
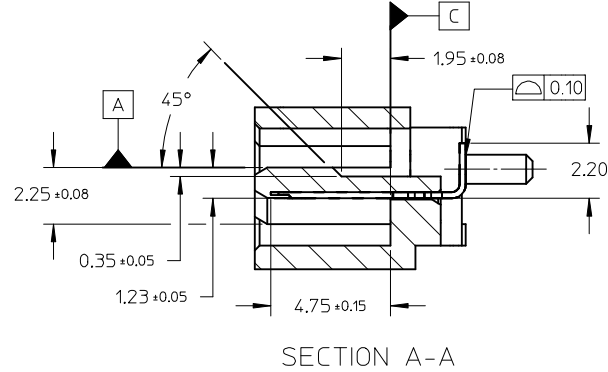
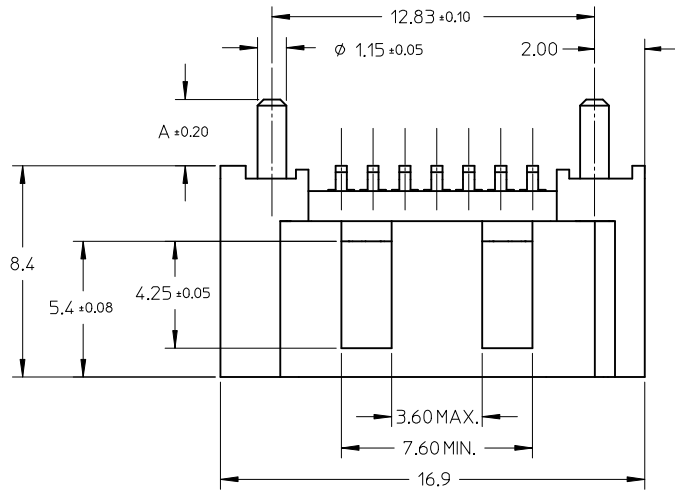
## Contact us

Tel: +86-755-8981 8866 Fax: +86-755-8427 6832

Email & Skype: info@chipsmall.com Web: www.chipsmall.com

Address: A1208, Overseas Decoration Building, #122 Zhenhua RD., Futian, Shenzhen, China





<b>ADD PARTS</b> EC NO: SH2014-0204 G DRWINGLLI 2013/11/20 CHKD: 2014/01/20 APPR:AYIN	DESCRIPTION REV	<b>QUALITY SYMBOLS</b> $F_A=0$ $F_C=0$ $F_P=0$	<b>GENERAL TOLERANCES (UNLESS SPECIFIED)</b>		<b>DIMENSION STYLE</b> <b>MM ONLY</b>		SCALE <b>5:1</b>	DESIGN UNITS <b>METRIC</b>	THIRD ANGLE PROJECTION	
			mm	INCH	DRAWN BY	DATE	TITLE			
		4 PLACES	± ---	± ---	GRATE MA	2004/02/02	<b>HIGH SPEED CONNECTOR</b> <b>1.27MM PITCH VERTICAL</b> <b>SMT SOLDER TAIL</b> <b>molex</b>			
		3 PLACES	± ---	± ---	CHECKED BY	DATE				
2 PLACES	± 0.15	± ---	YA JUN	2004/02/02	DOCUMENT NO. <b>SD-67800-005</b>					
1 PLACE	± 0.25	± ---	APPROVED BY	DATE						
0 PLACE	±	±	SAM	2004/02/02	SHEET NO. <b>1 OF 2</b>					
ANGULAR ± 1 °			<b>SEE CHART IN SHEET 2</b>						THIS DRAWING CONTAINS INFORMATION THAT IS PROPRIETARY TO MOLEX INCORPORATED AND SHOULD NOT BE USED WITHOUT WRITTEN PERMISSION	
DRAFT WHERE APPLICABLE MUST REMAIN WITHIN DIMENSIONS			SIZE <b>A3</b>							

NOTES:

1. MATERIAL:

HOUSING: HIGH TEMPERATURE THERMAL PLASTIC, GLASS FILLED,  
UL94V-0, COLOR: REFER TO CHART.

TERMINAL: BRASS  
POST: BRASS

2. TERMINAL PLATING:

- CONTACT AREA: (a) GOLD FLASH
- (b) GOLD, THICKNESS=0.76 MICRON MINIMUM
- (c) GOLD, THICKNESS=0.38 MICRON MINIMUM

SOLDER TAIL: TIN, THICKNESS=1.27 MICRON MINIMUM

UNDER PLATE: NICKEL PLATED, THICKNESS=1.27 MICRON MINIMUM

3. POST PLATING: UNDER PLATE: NICKEL, THICKNESS=1.25 MICRON MINIMUM

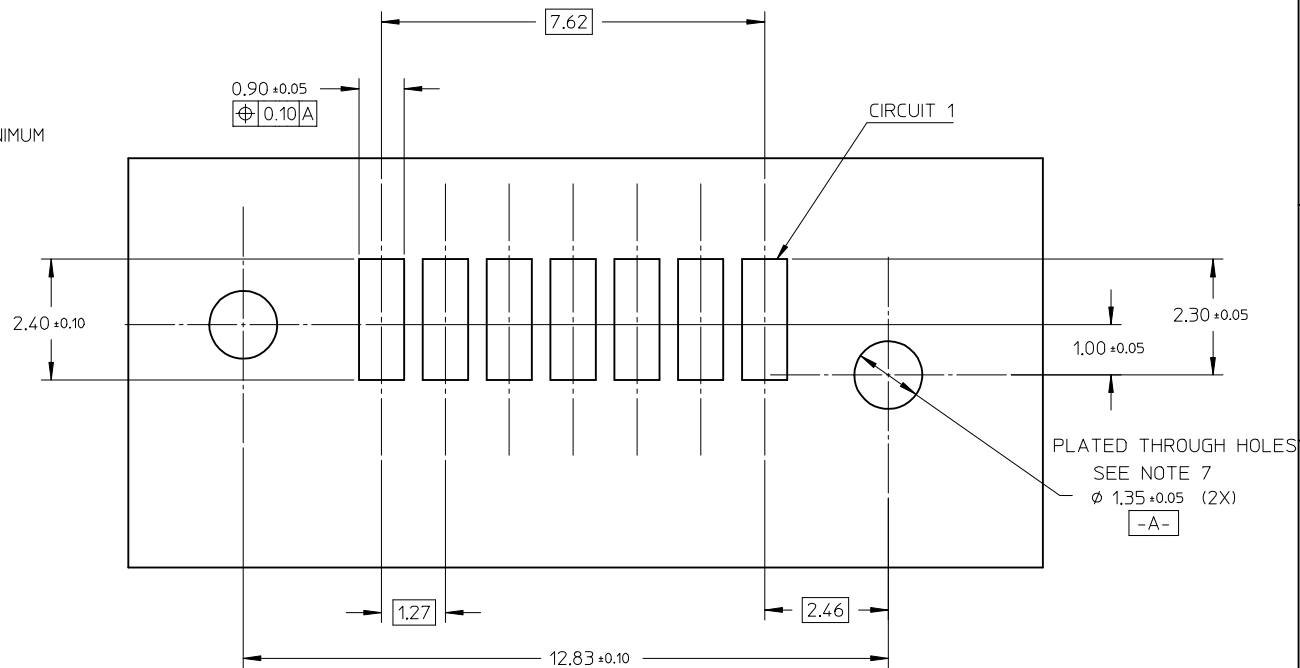
TIN, THICKNESS=1.9 MICRON MINIMUM OVER ALL

4. PACKAGING: PK-67800-001

5. PRODUCT SPECIFICATION REFER TO PS-67491-001

6. RECOMMENDED SOLDERING PROCESS: IR PROCESS

⚠ METAL POSTS TO BE SOLDERED TO PCB



RECOMMENDED P.C.B LAYOUT  
CONNECTOR SIDE

678005025	SEE NOTE2(c)	BLACK	3.45	PURE TIN
678005022	SEE NOTE2(b)			
678005021	SEE NOTE2(a)			
678005015	SEE NOTE2(c)	BLACK	3.05	
678005012	SEE NOTE2(b)			
678005011	SEE NOTE2(a)			
678005005	SEE NOTE2(c)	BLACK	2.65	
678005004	SEE NOTE2(c)	YELLOW		
678005003	SEE NOTE2(c)	BLUE		
678005013	SEE NOTE2(b)	WHITE(NATURE)		
678005033	SEE NOTE2(b)	WHITE(NATURE)		
678005002	SEE NOTE2(b)	BLACK		
678005001	SEE NOTE2(a)			
MATERIAL NO	PLATING TYPE	HOUSING COLOR	DIM A	REMARK

SEE SHEET 1 IEC NO: SH2014-0204 DRAWN: GLL 2013/11/20 CHKD: GLL APP: AYIN 2014/01/20	QUALITY SYMBOLS	GENERAL TOLERANCES (UNLESS SPECIFIED)	DIMENSION STYLE	SCALE	DESIGN UNITS	THIRD ANGLE PROJECTION
	$F_A=0$	mm INCH	MM ONLY	5:1	METRIC	
	$F_B=0$	4 PLACES ± --- ± ---	DRAWN BY DATE	TITLE		
	$F_C=0$	3 PLACES ± --- ± ---	CHECKED BY DATE	HIGH SPEED CONNECTOR		
$F_D=0$	2 PLACES ± 0.15 ± ---	APPROVED BY DATE	1.27MM PITCH VERTICAL			
	1 PLACE ± 0.25 ± ---	SAM 2004/02/02	SMT SOLDER TAIL			
	0 PLACE ± ±	MATERIAL NO. DOCUMENT NO.	molex			
	ANGULAR ± 1 °	SEE CHART	SD-67800-005			
	DRAFT WHERE APPLICABLE MUST REMAIN WITHIN DIMENSIONS	THIS DRAWING CONTAINS INFORMATION THAT IS PROPRIETARY TO MOLEX INCORPORATED AND SHOULD NOT BE USED WITHOUT WRITTEN PERMISSION	SHEET NO. 2 OF 2			