



Chipsmall Limited consists of a professional team with an average of over 10 year of expertise in the distribution of electronic components. Based in Hongkong, we have already established firm and mutual-benefit business relationships with customers from,Europe,America and south Asia,supplying obsolete and hard-to-find components to meet their specific needs.

With the principle of "Quality Parts,Customers Priority,Honest Operation,and Considerate Service",our business mainly focus on the distribution of electronic components. Line cards we deal with include Microchip,ALPS,ROHM,Xilinx,Pulse,ON,Everlight and Freescale. Main products comprise IC,Modules,Potentiometer,IC Socket,Relay,Connector.Our parts cover such applications as commercial,industrial, and automotives areas.

We are looking forward to setting up business relationship with you and hope to provide you with the best service and solution. Let us make a better world for our industry!



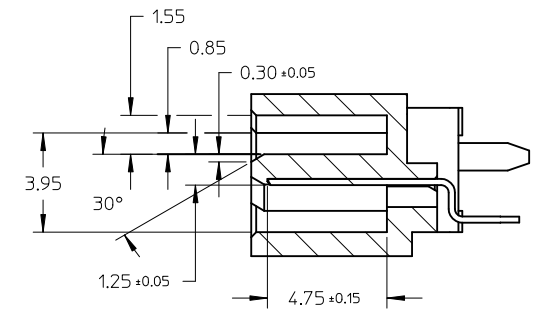
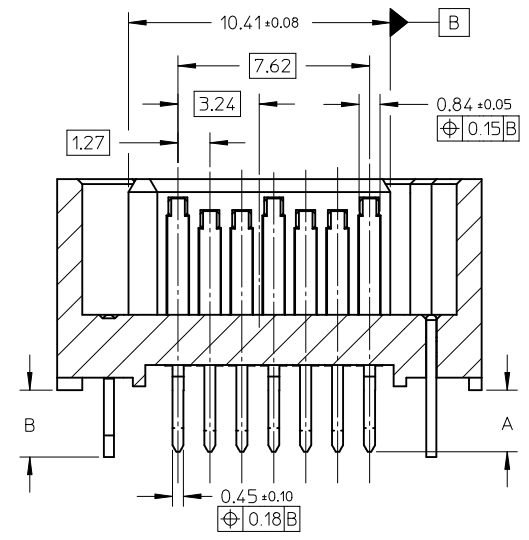
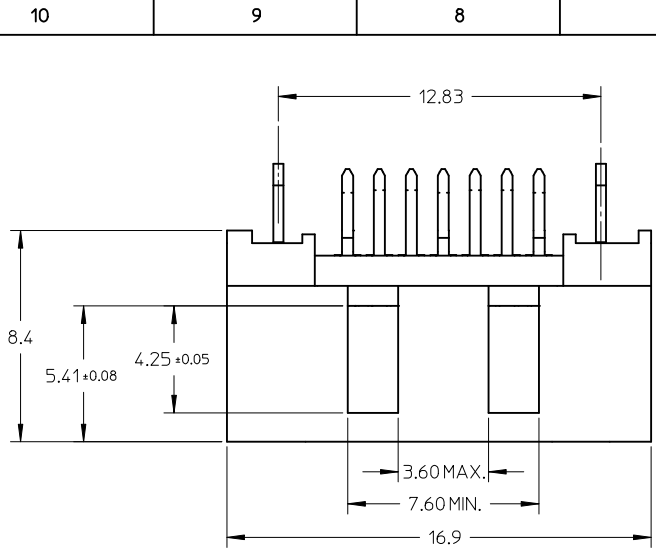
## Contact us

Tel: +86-755-8981 8866 Fax: +86-755-8427 6832

Email & Skype: info@chipsmall.com Web: www.chipsmall.com

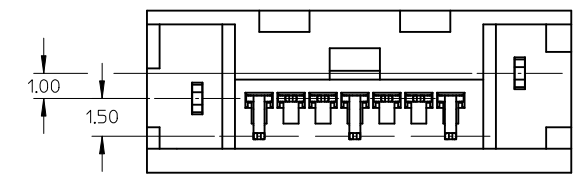
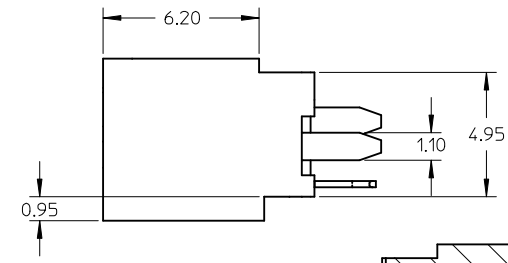
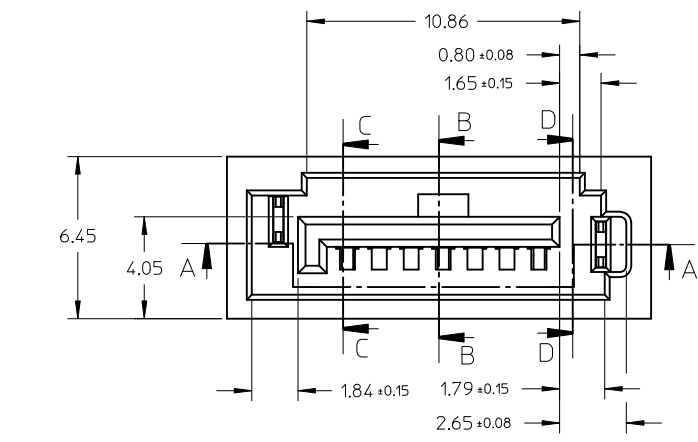
Address: A1208, Overseas Decoration Building, #122 Zhenhua RD., Futian, Shenzhen, China



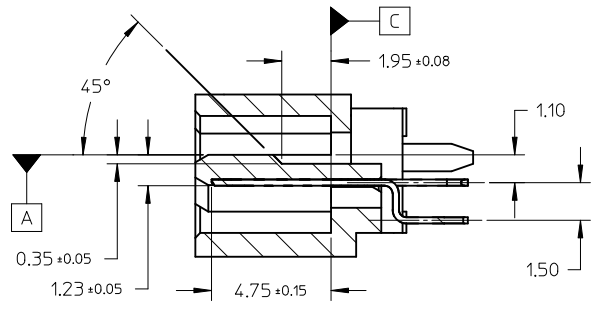


SECTION A-A

SECTION C-C

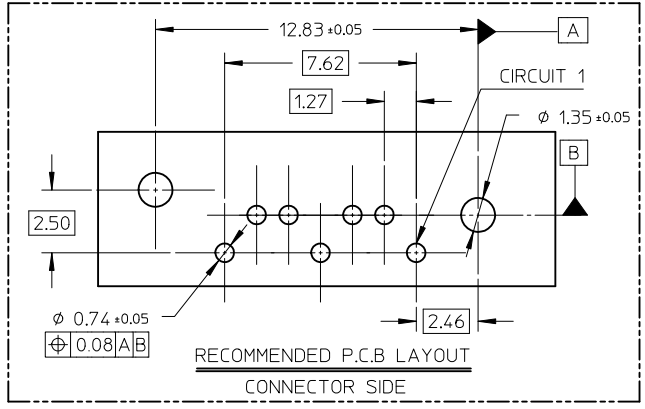


SECTION D-D



SECTION B-B

<b>REMOVE PART NUMBER</b> EC NO: SH2012-0062 DRWN: XQZHANG 2012/01/19 CHKD: XQZHANG 2012/01/30 APPR: AYIN 2012/02/02	QUALITY SYMBOLS $\nabla_F = 0$ $\nabla_G = 0$ $\nabla_P = 0$	GENERAL TOLERANCES (UNLESS SPECIFIED)		DIMENSION STYLE <b>MM ONLY</b>		SCALE <b>5:1</b>	DESIGN UNITS <b>METRIC</b>	THIRD ANGLE PROJECTION			
		4 PLACES ± --- ± ---	mm INCH	DRAWN BY GRATE MA	DATE 2004/02/02	TITLE <b>HIGH SPEED CONNECTOR          1.27MM PITCH VERTICAL          DIP SOLDER TAIL</b>					
		3 PLACES ± --- ± ---		CHECKED BY YAJUN	DATE 2004/02/02	<b>MOLEX INCORPORATED</b>					
		2 PLACES ± 0.15 ± --- 1 PLACE ± 0.25 ± ---		APPROVED BY SAM	DATE 2004/02/02	MATERIAL NO. <b>SEE SHEET 2</b>	DOCUMENT NO. <b>SD-67800-007</b>	SHEET NO. <b>1 OF 2</b>			
DRAFT WHERE APPLICABLE MUST REMAIN WITHIN DIMENSIONS		SIZE <b>A3</b>		THIS DRAWING CONTAINS INFORMATION THAT IS PROPRIETARY TO MOLEX INCORPORATED AND SHOULD NOT BE USED WITHOUT WRITTEN PERMISSION							



- NOTES:
- MATERIAL:  
HOUSING/COLOR: SEE TABLE, GLASS FILLED, UL94V-0  
TERMINAL/PEG: BRASS
  - TERMINAL PLATING:  
CONTACT AREA: (a) GOLD FLASH  
(b) GOLD, THICKNESS=0.76 MICRON MINIMUM  
(c) GOLD, THICKNESS=0.38 MICRON MINIMUM  
SOLDER TAIL: TIN PLATED 1.27 MICRON MINIMUM  
OVER NICKEL PLATED 1.27 MICRON MINIMUM
  - PEG PLATING: TIN PLATED 1.27 MICRON MINIMUM  
OVER NICKEL PLATED 1.8 MICRON MINIMUM
  - PACKAGING SPECIFICATION: PK-67800-001
  - PRODUCT SPECIFICATION REFER TO PS-67491-001
  - RECOMMENDED SOLDERING PROCESS:  
THERMAL PLASTIC FOR WAVE SOLDERING PROCESS  
HIGH TEMPERATURE THERMAL PLASTIC FOR IR SOLDERING PROCESS

PART NUMBER	PLATING TYPE	DIM A	DIM B	P.C.B THICKNESS	PLASTIC TYPE	PLASTIC COLOR	REMARK
67800-7055	SEE NOTE2(c)						
67800-7052	SEE NOTE2(b)	2.85	3.05	2.00±0.05	THERMAL PLASTIC	NATURE	
67800-7051	SEE NOTE2(a)						
67800-7045	SEE NOTE2(c)	2.45	2.65	1.60±0.05			
67800-7042	SEE NOTE2(b)						
67800-7082	SEE NOTE2(b)	3.25	3.45	2.40±0.05			
67800-7075	SEE NOTE2(c)						
67800-7072	SEE NOTE2(b)	2.85	3.05	2.00±0.05	THERMAL PLASTIC	PROCESS BLUE C	
67800-7071	SEE NOTE2(a)					ΔE<3	
67800-7035	SEE NOTE2(c)	2.45	2.65	1.60±0.05			
67800-7031	SEE NOTE2(a)						
67800-7025	SEE NOTE2(c)						
67800-7022	SEE NOTE2(b)	3.25	3.45	2.40±0.05			PURE TIN
67800-7021	SEE NOTE2(a)						
67800-7015	SEE NOTE2(c)	2.85	3.05	2.00±0.05	THERMAL PLASTIC	BLACK	
67800-7011	SEE NOTE2(a)						
67800-7005	SEE NOTE2(c)						
67800-7002	SEE NOTE2(b)	2.45	2.65	1.60±0.05			
67800-7001	SEE NOTE2(a)						
67800-7115	SEE NOTE2(c)	2.85	3.05	2.00±0.05	HIGH TEMPERATURE	BLACK	
67800-7111	SEE NOTE2(a)						
67800-7105	SEE NOTE2(c)	2.45	2.65	1.60±0.05	THERMAL PLASTIC		
67800-7102	SEE NOTE2(b)						

SEE SHEET 1 EC NO: SH2012-0062 DRWN: XZZHANG 2012/01/19 CHKD: XZZHANG 2012/01/30 APPR: AYIN 2012/02/02	QUALITY SYMBOLS	GENERAL TOLERANCES (UNLESS SPECIFIED)	DIMENSION STYLE	SCALE	DESIGN UNITS	THIRD ANGLE PROJECTION
	$\nabla_{\sqrt{R}} = 0$ $\nabla_{\sqrt{R}} = 0$ $\nabla_{\sqrt{R}} = 0$	mm INCH 4 PLACES ± --- ± --- 3 PLACES ± --- ± --- 2 PLACES ± 0.15 ± --- 1 PLACE ± 0.25 ± --- ANGULAR ± 1/2°	MM ONLY	5:1	METRIC	
	DRAWN BY DATE GRATE MA 2004/02/02 CHECKED BY DATE YAJUN 2004/02/02 APPROVED BY DATE SAM 2004/02/02	TITLE HIGH SPEED CONNECTOR 1.27MM PITCH VERTICAL DIP SOLDER TAIL				
	MATERIAL NO. SEE TABLE	DOCUMENT NO. SD-67800-007	SHEET NO. 2 OF 2			

DRAFT WHERE APPLICABLE MUST REMAIN WITHIN DIMENSIONS

THIS DRAWING CONTAINS INFORMATION THAT IS PROPRIETARY TO MOLEX INCORPORATED AND SHOULD NOT BE USED WITHOUT WRITTEN PERMISSION