



Chipsmall Limited consists of a professional team with an average of over 10 year of expertise in the distribution of electronic components. Based in Hongkong, we have already established firm and mutual-benefit business relationships with customers from,Europe,America and south Asia,supplying obsolete and hard-to-find components to meet their specific needs.

With the principle of “Quality Parts,Customers Priority,Honest Operation,and Considerate Service”,our business mainly focus on the distribution of electronic components. Line cards we deal with include Microchip,ALPS,ROHM,Xilinx,Pulse,ON,Everlight and Freescale. Main products comprise IC,Modules,Potentiometer,IC Socket,Relay,Connector.Our parts cover such applications as commercial,industrial, and automotives areas.

We are looking forward to setting up business relationship with you and hope to provide you with the best service and solution. Let us make a better world for our industry!



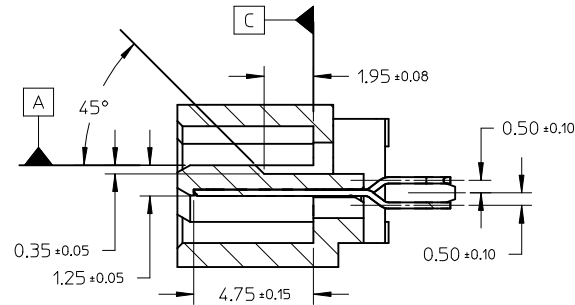
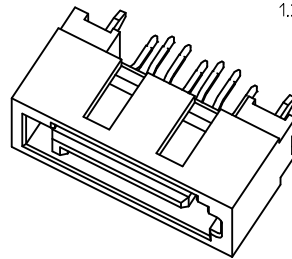
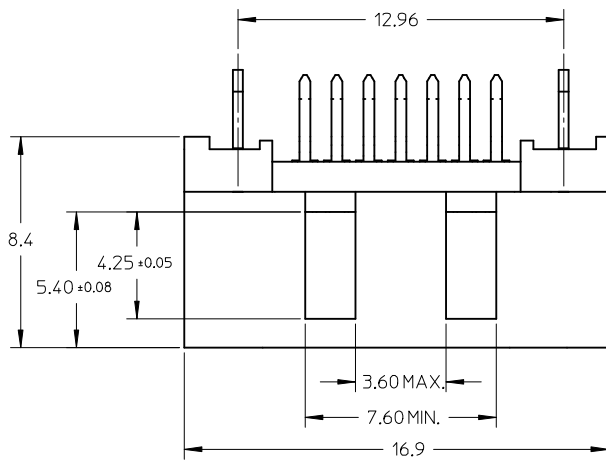
## Contact us

Tel: +86-755-8981 8866 Fax: +86-755-8427 6832

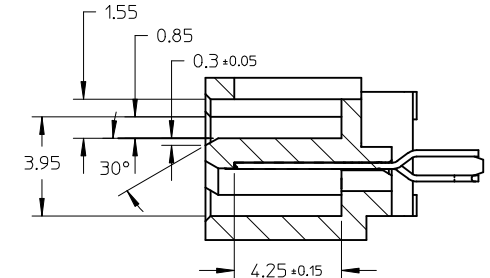
Email & Skype: info@chipsmall.com Web: www.chipsmall.com

Address: A1208, Overseas Decoration Building, #122 Zhenhua RD., Futian, Shenzhen, China

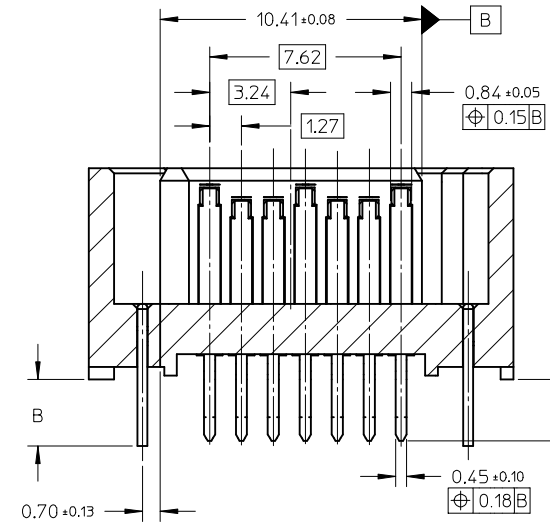
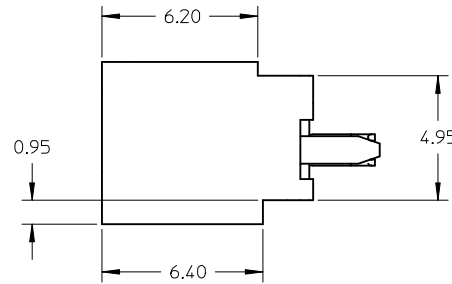
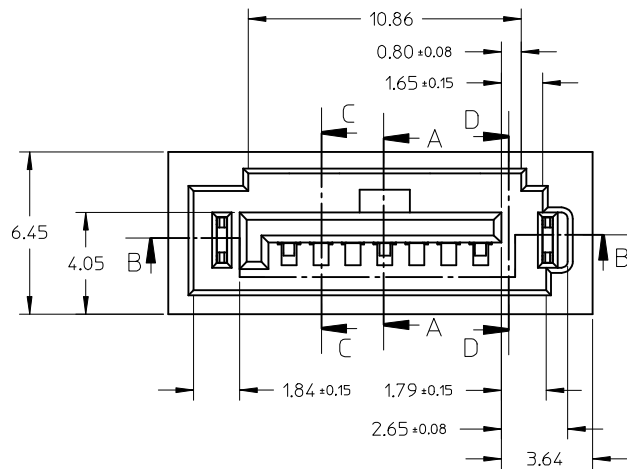




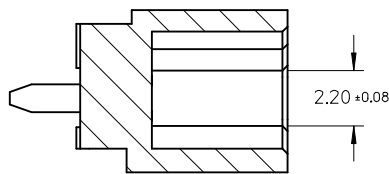
SECTION A-A



SECTION C-C

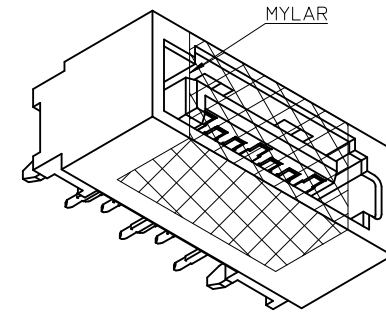
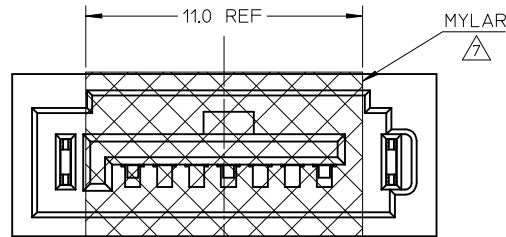
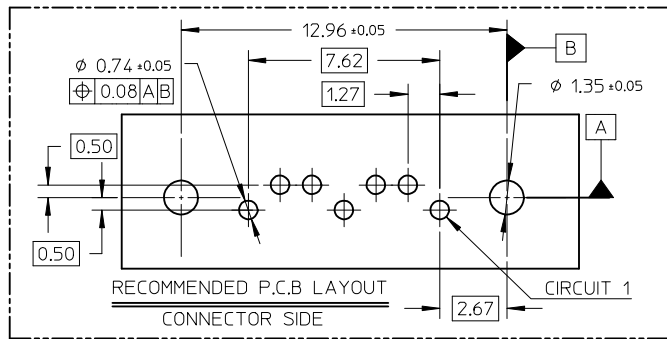


SECTION B-B



SECTION D-D

REMOVE PART NUMBER EC NO: SH2012-0062 DRAWN: XQZHANG 2012/01/30 CHKD: XQZHANG 2012/01/30 APPR: AYIN 2012/02/02	REV	DESCRIPTION	QUALITY SYMBOLS	GENERAL TOLERANCES (UNLESS SPECIFIED)		DIMENSION STYLE		SCALE	DESIGN UNITS	THIRD ANGLE PROJECTION	
			$\nabla_F = 0$	mm	INCH	MM ONLY		5:1	METRIC		
			$\nabla_G = 0$	4 PLACES ± --- ± ---		DRAWN BY	DATE	TITLE			
			$\nabla_H = 0$	3 PLACES ± --- ± ---		GRATE	2004/02/02	HIGH SPEED CONNECTOR			
				2 PLACES ± 0.15 ± ---		CHECKED BY	DATE	1.27MM PITCH VERTICAL			
				1 PLACE ± 0.25 ± ---		YA JUN	2004/02/02	DIP SOLDER TAIL			
				ANGULAR ± 1°		APPROVED BY	DATE	MOLEX INCORPORATED			
						SAM	2004/02/02	MOLEX INCORPORATED			
						MATERIAL NO.	DOCUMENT NO.	SD-67800-008		SHEET NO.	
						SEE SHEET 2				1 OF 2	
						THIS DRAWING CONTAINS INFORMATION THAT IS PROPRIETARY TO MOLEX INCORPORATED AND SHOULD NOT BE USED WITHOUT WRITTEN PERMISSION					



SCHEMATIC DRAWING OF MYLAR  
ONLY FOR 678008205  
(SCALE 5:1)

NOTES:

- MATERIAL:  
HOUSING/COLOR: SEE TABLE, GLASS FILLED, UL94V-0  
TERMINAL/PEG: BRASS
  - TERMINAL PLATING:  
CONTACT AREA: (a) GOLD FLASH  
(b) GOLD, THICKNESS=0.76 MICRON MINIMUM  
(c) GOLD, THICKNESS=0.38 MICRON MINIMUM  
SOLDER TAIL: TIN PLATED 1.27 MICRON MINIMUM  
OVER NICKEL PLATED 1.27 MICRON MINIMUM
  - PEG PLATING: TIN PLATED 1.27 MICRON MINIMUM  
OVER NICKEL PLATED 1.8 MICRON MINIMUM
  - PACKAGING SPECIFICATION:  
FOR 67800-8205: TAPE & REEL, PK-67800-003  
FOR OTHER P/N: TRAY, PK-67800-001
  - PRODUCT SPECIFICATION REFER TO PS-67491-001
  - RECOMMENDED SOLDERING PROCESS:  
THERMAL PLASTIC FOR WAVE SOLDERING PROCESS  
HIGH TEMPERATURE THERMAL PLASTIC FOR IR SOLDERING PROCESS
7. THE MYLAR STICKED ON THE HOUSING IS JUST USED FOR PICK-UP PLACE, PLEASE REMOVE IT AFTER REFLOW

PART NUMBER	PLATING TYPE	DIM A	DIM B	P.C.B THICKNESS	PLASTIC TYPE	PLASTIC COLOR	REMARK
67800-8245	SEE NOTE2(c)	2.10	2.65	1.60±0.05	THERMAL PLASTIC	NATURE	PURE TIN
67800-8041	SEE NOTE2(a)	2.45					
67800-8085	SEE NOTE2(c)	3.25	3.45	2.40±0.05	THERMAL PLASTIC	PROCESS BLUE C ΔE<3	
67800-8082	SEE NOTE2(b)						
67800-8075	SEE NOTE2(c)						
67800-8072	SEE NOTE2(b)	2.85	3.05	2.00±0.05			
67800-8071	SEE NOTE2(a)				THERMAL PLASTIC	BLACK	
67800-8235	SEE NOTE2(c)	2.10					
67800-8035	SEE NOTE2(c)	2.45	2.65	1.60±0.05	THERMAL PLASTIC	BLACK	
67800-8032	SEE NOTE2(b)						
67800-8025	SEE NOTE2(c)	3.25	3.45	2.40±0.05			
67800-8021	SEE NOTE2(a)				THERMAL PLASTIC	BLACK	
67800-8305	SEE NOTE2(c)	2.10					
67800-8005	SEE NOTE2(c)				THERMAL PLASTIC	BLACK	
67800-8002	SEE NOTE2(b)	2.45	2.65	1.60±0.05			
67800-8001	SEE NOTE2(a)				HIGH TEMPERATURE THERMAL PLASTIC	BLACK	
67800-8125	SEE NOTE2(c)	3.25	3.45	2.40±0.05			
67800-8122	SEE NOTE2(b)				THERMAL PLASTIC	BLACK	
67800-8115	SEE NOTE2(c)	2.85	3.05	2.00±0.05			
67800-8205	SEE NOTE2(c)				THERMAL PLASTIC	BLACK	
67800-8102	SEE NOTE2(b)	2.45	2.65	1.60±0.05			
67800-8101	SEE NOTE2(a)						

SEE SHEET 1 EC NO: SH2012-0062 DRWN:XOZHANG 2012/01/30 CHKD:XOZHANG 2012/01/30 APPR:AYTIN 2012/02/02	QUALITY SYMBOLS F <sub>A</sub> =0 F <sub>B</sub> =0 F <sub>C</sub> =0	GENERAL TOLERANCES (UNLESS SPECIFIED)		DIMENSION STYLE <b>MM ONLY</b>		SCALE <b>1:1</b>	DESIGN UNITS <b>METRIC</b>	THIRD ANGLE PROJECTION	
		4 PLACES ± --- ± --- 3 PLACES ± --- ± --- 2 PLACES ± 0.15 ± --- 1 PLACE ± 0.25 ± ---	mm INCH ± --- ± --- ± 0.15 ± --- ± 0.25 ± ---	DRAWN BY GRATE	DATE 2004/02/02	TITLE <b>HIGH SPEED CONNECTOR 1.27MM PITCH VERTICAL DIP SOLDER TAIL</b>			
		ANGULAR ± 1°		CHECKED BY YAJUN	DATE 2004/02/02	MOLEX INCORPORATED			
		DRAFT WHERE APPLICABLE MUST REMAIN WITHIN DIMENSIONS		APPROVED BY SAM	DATE 2004/02/02	MATERIAL NO. SEE TABLE	DOCUMENT NO. SD-67800-008	SHEET NO. 2 OF 2	