



Chipsmall Limited consists of a professional team with an average of over 10 year of expertise in the distribution of electronic components. Based in Hongkong, we have already established firm and mutual-benefit business relationships with customers from,Europe,America and south Asia,supplying obsolete and hard-to-find components to meet their specific needs.

With the principle of “Quality Parts,Customers Priority,Honest Operation,and Considerate Service”,our business mainly focus on the distribution of electronic components. Line cards we deal with include Microchip,ALPS,ROHM,Xilinx,Pulse,ON,Everlight and Freescale. Main products comprise IC,Modules,Potentiometer,IC Socket,Relay,Connector.Our parts cover such applications as commercial,industrial, and automotives areas.

We are looking forward to setting up business relationship with you and hope to provide you with the best service and solution. Let us make a better world for our industry!



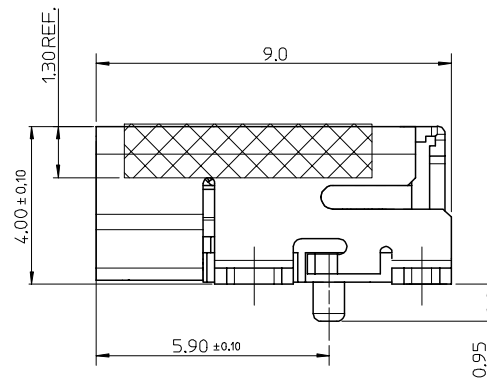
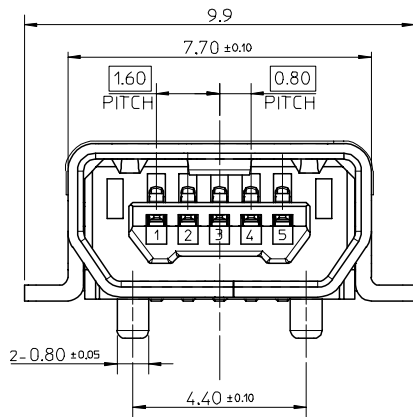
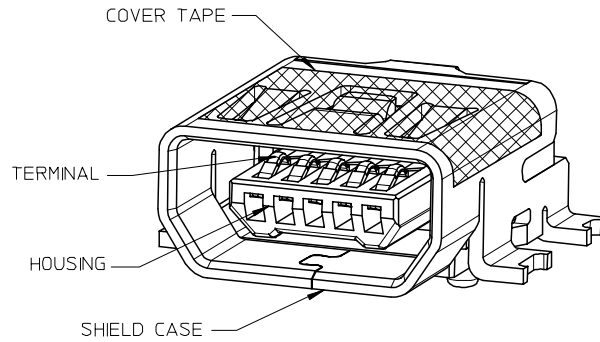
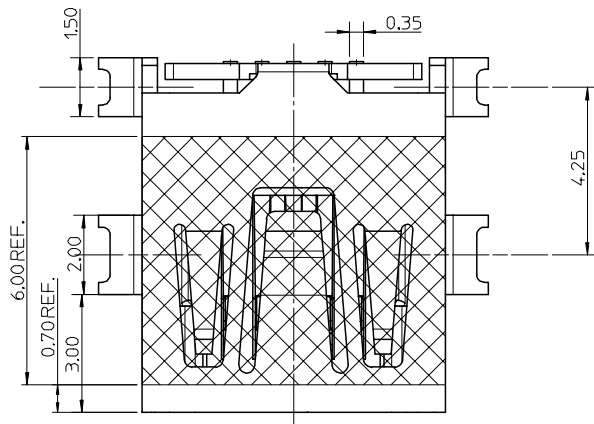
## Contact us

Tel: +86-755-8981 8866 Fax: +86-755-8427 6832

Email & Skype: info@chipsmall.com Web: www.chipsmall.com

Address: A1208, Overseas Decoration Building, #122 Zhenhua RD., Futian, Shenzhen, China





NOTE :

1. MATERIAL :

HOUSING : NYLON GLASS FILLED , GRAY,UL94V-0  
 TERMINAL : COPPER ALLOY THICKNESS = 0.2 MM  
 SHIELD CASE : COPPER ALLOY THICKNESS = 0.4 MM

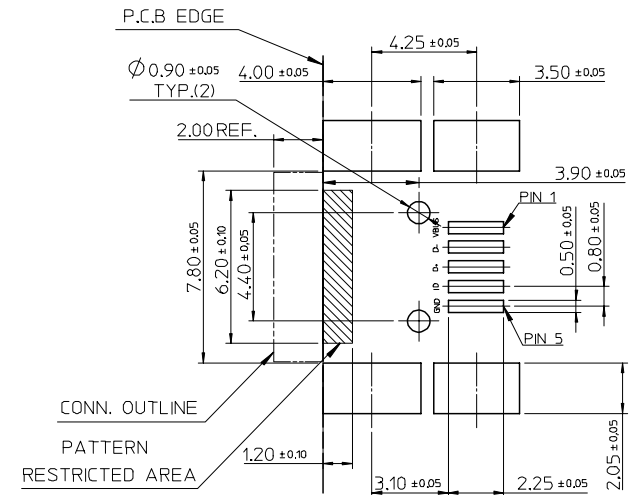
2. PLATING :

TERMINAL:  
 CONTACT AREA : GOLD 0.75 MICROMETER MINIMUM.  
 SOLDER TAIL AREA : PURE TIN 3.8 MICROMETER MINIMUM.  
 UNDER PLATING : NICKEL 1.25 MICROMETER MINIMUM.

SHIELD CASE :

PURE TIN 1~3 MICROMETER MINIMUM.  
 UNDER PLATING : NICKEL 1.0 MICROMETER MINIMUM.

3. TAIL & NAIL COPLANARITY 0.1 mm MAXIMUM.



RECOMMENDED P.C.B. PATTERN LAYOUT

COMPONENT	REMARK
P/N	
67803-8020	WITH COVER TAPE
67803-8021	WITHOUT COVER TAPE

REVISE	QUALITY SYMBOLS
EC NO: SH2006-0852	▽=0
DRWN: J SONG 2006/06/30	▽=0
CHKD: WANG 2006/07/04	
APPR: INCHEH 2006/07/05	
DESCRIPTION	
REV	

GENERAL TOLERANCES (UNLESS SPECIFIED)	DIMENSION STYLE	SCALE	DESIGN UNITS	THIRD ANGLE PROJECTION
	MM ONLY	8:1	METRIC	
	mm			
	INCH			
4 PLACES ± --- ± ---	DRAWN BY	DATE	TITLE	
3 PLACES ± --- ± ---	JACK	2004/11/23	USB SERIES MINI-AB REC.	
2 PLACES ± 0.25 ± ---	CHECKED BY	DATE	ASS'Y SMT TYPE	
1 PLACE ± 0.25 ± ---	HARVEY	2004/11/23	(LEAD-FREE)	
ANGULAR ± 3 °	APPROVED BY	DATE	MOLEX INCORPORATED	
	YTYAP	2004/11/23		
DRAFT WHERE APPLICABLE MUST REMAIN WITHIN DIMENSIONS	MATERIAL NO.	DOCUMENT NO.	SHEET NO.	
	SEE TABLE	SD-67803-002	1 OF 1	
	SIZE	THIS DRAWING CONTAINS INFORMATION THAT IS PROPRIETARY TO MOLEX INCORPORATED AND SHOULD NOT BE USED WITHOUT WRITTEN PERMISSION		
	A3			