



Chipsmall Limited consists of a professional team with an average of over 10 year of expertise in the distribution of electronic components. Based in Hongkong, we have already established firm and mutual-benefit business relationships with customers from,Europe,America and south Asia,supplying obsolete and hard-to-find components to meet their specific needs.

With the principle of “Quality Parts,Customers Priority,Honest Operation,and Considerate Service”,our business mainly focus on the distribution of electronic components. Line cards we deal with include Microchip,ALPS,ROHM,Xilinx,Pulse,ON,Everlight and Freescale. Main products comprise IC,Modules,Potentiometer,IC Socket,Relay,Connector.Our parts cover such applications as commercial,industrial, and automotives areas.

We are looking forward to setting up business relationship with you and hope to provide you with the best service and solution. Let us make a better world for our industry!



Contact us

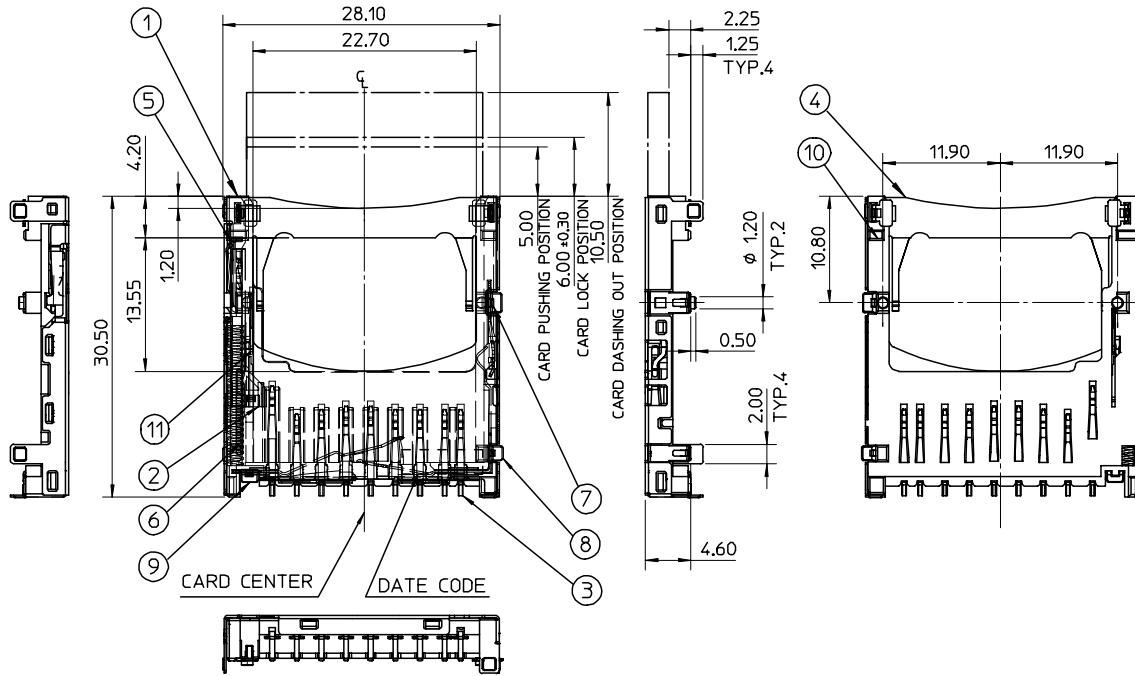
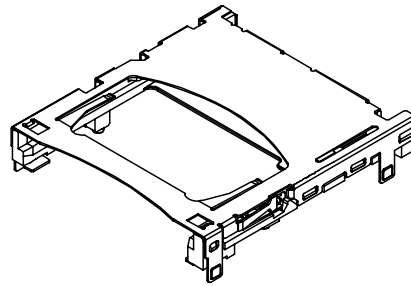
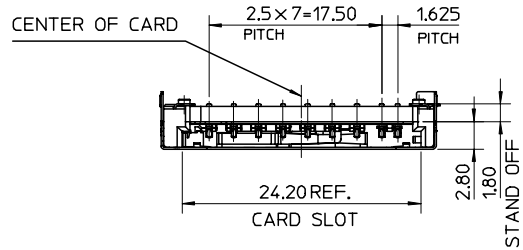
Tel: +86-755-8981 8866 Fax: +86-755-8427 6832

Email & Skype: info@chipsmall.com Web: www.chipsmall.com

Address: A1208, Overseas Decoration Building, #122 Zhenhua RD., Futian, Shenzhen, China



10 9 8 7 6 5 4 3 2 1



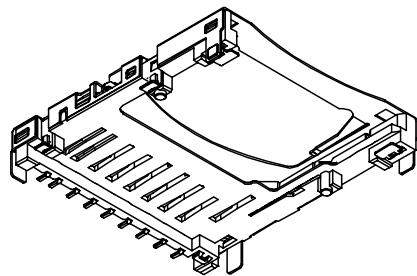
- NOTES:
1. TERMINAL AND NAIL COPLANARITY TO BE 0.1 MAX.
 2. WHEN DELIVERING, THE PUSH/PUSH MECHANISM IS IN THE STATE OF THE UNLOCK.(CARD DASHING OUT POSITION)
 3. CARD READ ONLY BY THE TIME THE CARD DETECTION SWITCH WORKS.
 4. OPENING AND CLOSE OF EACH SWITCH.

CARD INSERTION STATUS	WRITE PROTECT SWITCH		DETECT SWITCH
	WRITE PROTECT POSITION	WRITE ENABLE POSITION	
CARD UNINSERTION	OPEN	OPEN	OPEN
CARD HALF INSERTION	CLOSE	CLOSE	OPEN
CARD INSERTION	OPEN	CLOSE	CLOSE

5. MATERIAL AND FINISH AS BELOW

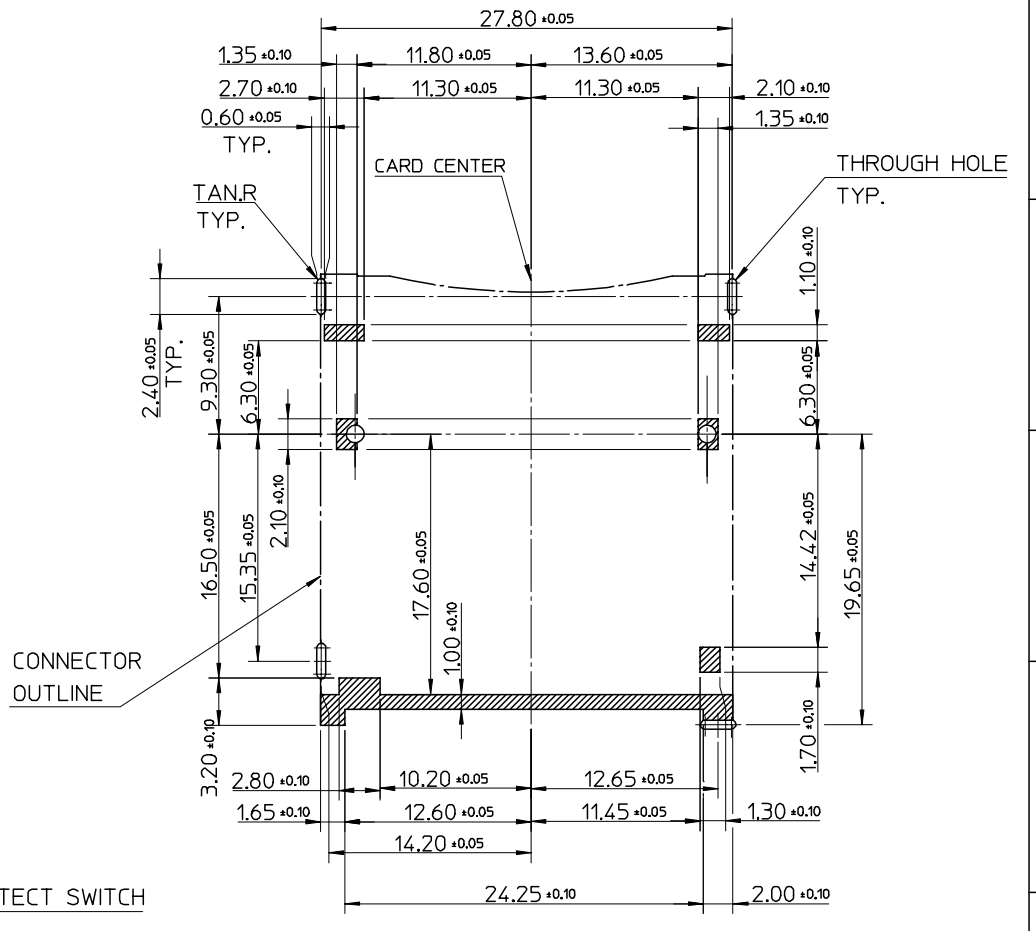
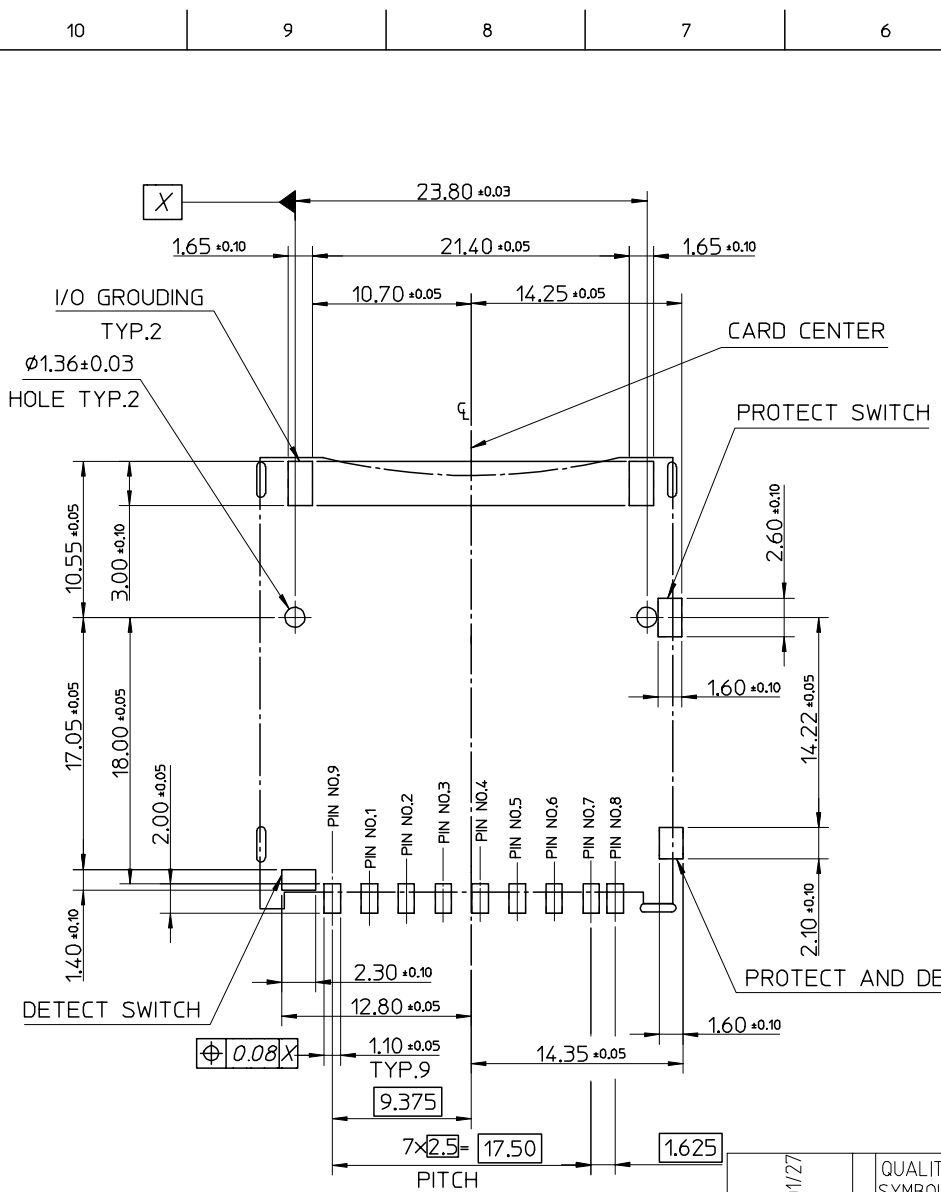
NO	NAME	QT'Y	MATERIAL
1	HOUSING	1	LCP,UL 94V-0,COLOR:BLACK
2	HEART CAM	1	LCP,UL 94V-0,COLOR:BLACK
3	TERMINAL	9	COPPER ALLOY,SELECTIVE Au PLATING
4	METAL SHELL	1	STAINLESS STEEL
5	PIN	1	STAINLESS STEEL
6	SPRING	1	STEEL WIRE
7	PROTECT TERMINAL	1	COPPER ALLOY, SELECTIVE Au PLATING
8	PROTECT AND DETECT TERMINAL	1	COPPER ALLOY, SELECTIVE Au PLATING
9	DETECT TERMINAL	1	COPPER ALLOY, SELECTIVE Au PLATING
10	NAIL	2	COPPER ALLOY, PURE TIN PLATING
11	CARD LOCK	1	STAINLESS STEEL

6. PRODUCT SPECIFICATION : PER PS-67840-001
7. I/O CONTACTS, BASE ON SD I/O ASSOC. REV. G.
8. THIS HAS A LOCK MECHANISM FOR SD CARD,IT DOES NOT WORK FOR THE MMC. CARD AT LOCK POSITION, IF PULLED OUT MANUALLY. THE NEXT CARD INSERTED WILL BE EJECTED.
9. RECOMMENED P.CBOARD THICKNESS: 0.8±0.1
10. PACKAGING REFERS TO PK-67840-001



NEW RELEASE EC NO: DRAWN:QLZHANG 2005/01/27 CHKD:HARVEY APPR:	QUALITY SYMBOLS ▽ - 0 ▽ - 0 ▽ - 0	GENERAL TOLERANCES (UNLESS SPECIFIED)	SCALE 2:1	DESIGN UNITS METRIC	THIRD ANGLE PROJECTION	REVISE ON CAD ONLY
		4 PLACES ± --- ± ---	mm INCH	DIMENSION STYLE MM ONLY	TITLE	SD MEMORY CARD CONN. ASS'Y(TOP MOUNT TYPE 1.8 MM STAND OFF, LEAD-FREE)
		3 PLACES ± --- ± ---		DRAWN BY DATE	MOLEX INCORPORATED	
		2 PLACES ± 0.25 ± ---		QLZHANG 2004/12/06	MATERIAL NO. 67840-8001	DOCUMENT NO. SD-67840-007
		1 PLACE ± 0.25 ± ---		CHECKED BY DATE		
		ANGULAR ± 3 °		APPROVED BY DATE		
		DRAFT WHERE APPLICABLE				
		MUST REMAIN WITHIN DIMENSIONS				

9 8 7 6 5 4 3 2 1



RECOMMENDED PCB PATTERN LAYOUT

NEW RELEASE
 EC NO:
 DRAWN: QLZHANG 2005/01/27
 CHKD: HARVEY
 APPR:

REV	DESCRIPTION
A	

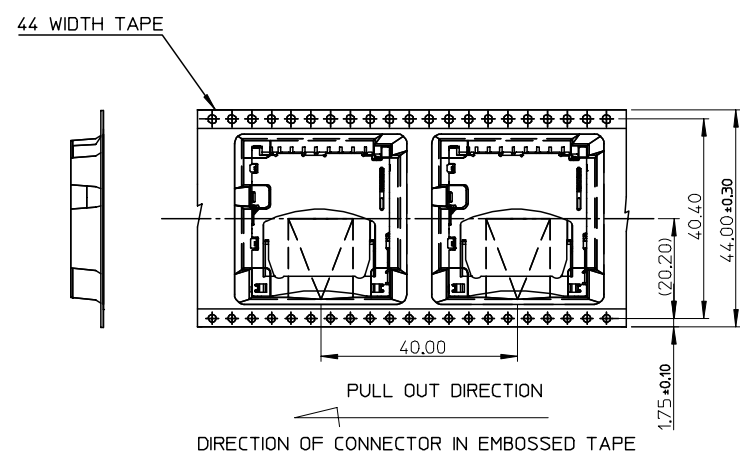
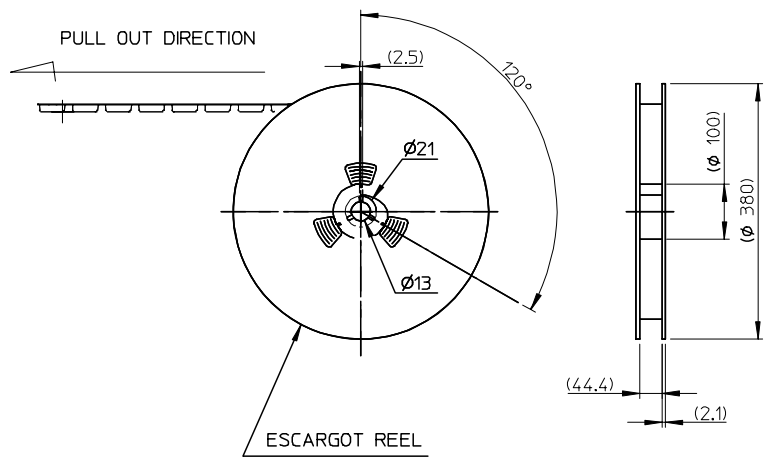
QUALITY SYMBOLS	GENERAL TOLERANCES (UNLESS SPECIFIED)
▽ = 0	mm INCH
∇ = 0	4 PLACES ± --- ± ---
∇ = 0	3 PLACES ± --- ± ---
∇ = 0	2 PLACES ± 0.25 ± ---
∇ = 0	1 PLACE ± 0.25 ± ---
	ANGULAR ± 3 °
	DRAFT WHERE APPLICABLE
	MUST REMAIN WITHIN DIMENSIONS

SCALE 3:1	DESIGN UNITS METRIC
DIMENSION STYLE MM ONLY	TITLE
DRAWN BY QLZHANG	DATE 2004/12/06
CHECKED BY	DATE
APPROVED BY	DATE

THIRD ANGLE PROJECTION	REVISE ON CAD ONLY
SD MEMORY CARD CONN. ASS'Y(TOP MOUNT TYPE 1.8 MM STAND OFF, LEAD-FREE)	
MOLEX INCORPORATED	
MATERIAL NO. 67840-8001	DOCUMENT NO. SD-67840-007
SHEET NO. 2 OF 3	

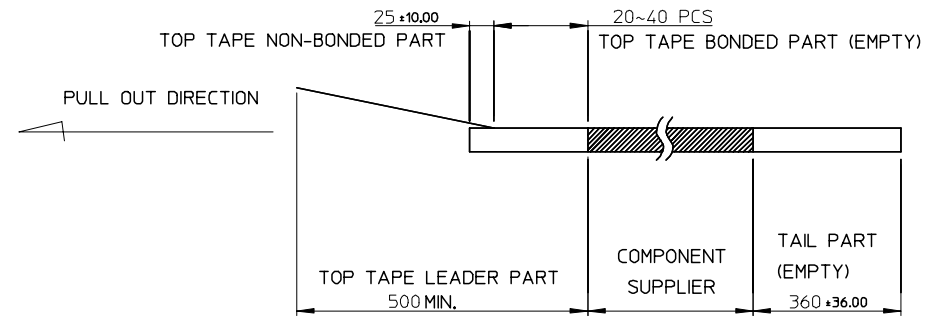
THIS DRAWING CONTAINS INFORMATION THAT IS PROPRIETARY TO MOLEX INCORPORATED AND SHOULD NOT BE USED WITHOUT WRITTEN PERMISSION

A3

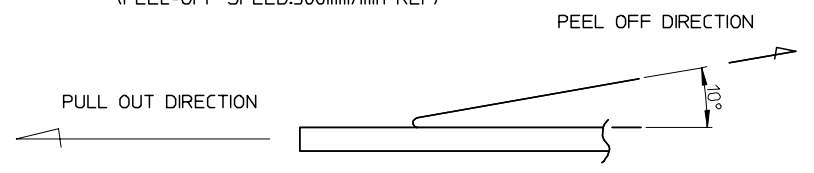


NOTES:

1. NUMBER OF CONNECTORS: 250 PCS/REEL
- 2.



3. PEEL-OFF FORCE OF TOP TAPE: 0.1~1.3N (10.2~130gf)
(PEELING DIRECTION AS SHOWN IN FOLLOWING FIGURE.)
(PEEL-OFF SPEED:300mm/min REF)



NEW RELEASE	EC NO: DRAWN:QLZHANG 2005/01/27 CHKD:HARVEY APPR:	DESCRIPTION	QUALITY SYMBOLS	GENERAL TOLERANCES (UNLESS SPECIFIED)		SCALE 1:1	DESIGN UNITS METRIC	THIRD ANGLE PROJECTION	REVISE ON CAD ONLY		
			▼ = 0	mm	INCH	DIMENSION STYLE MM ONLY		TITLE			
			∇ = 0	4 PLACES ± ---	± ---	DRAWN BY QLZHANG		DATE 2004/12/06	SD MEMORY CARD CONN. ASS'Y(TOP MOUNT TYPE 1.8 MM STAND OFF, LEAD-FREE)		
			∇ = 0	3 PLACES ± ---	± ---	CHECKED BY		DATE	MOLEX INCORPORATED		
				2 PLACES ± 0.25	± ---	APPROVED BY		DATE	MATERIAL NO. 67840-8001	DOCUMENT NO. SD-67840-007	SHEET NO. 3 OF 3
				1 PLACE ± 0.25	± ---	DRAFT WHERE APPLICABLE MUST REMAIN WITHIN DIMENSIONS		THIS DRAWING CONTAINS INFORMATION THAT IS PROPRIETARY TO MOLEX INCORPORATED AND SHOULD NOT BE USED WITHOUT WRITTEN PERMISSION			
				ANGULAR ± 3 °							