



Chipsmall Limited consists of a professional team with an average of over 10 year of expertise in the distribution of electronic components. Based in Hongkong, we have already established firm and mutual-benefit business relationships with customers from,Europe,America and south Asia,supplying obsolete and hard-to-find components to meet their specific needs.

With the principle of “Quality Parts,Customers Priority,Honest Operation,and Considerate Service”,our business mainly focus on the distribution of electronic components. Line cards we deal with include Microchip,ALPS,ROHM,Xilinx,Pulse,ON,Everlight and Freescale. Main products comprise IC,Modules,Potentiometer,IC Socket,Relay,Connector.Our parts cover such applications as commercial,industrial, and automotives areas.

We are looking forward to setting up business relationship with you and hope to provide you with the best service and solution. Let us make a better world for our industry!



Contact us

Tel: +86-755-8981 8866 Fax: +86-755-8427 6832

Email & Skype: info@chipsmall.com Web: www.chipsmall.com

Address: A1208, Overseas Decoration Building, #122 Zhenhua RD., Futian, Shenzhen, China



10 9 8 7 6 5 4 3 2 1

F

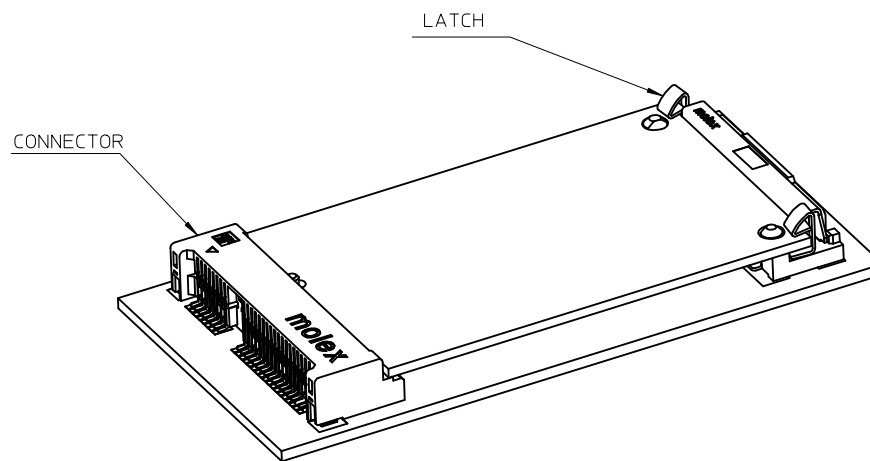
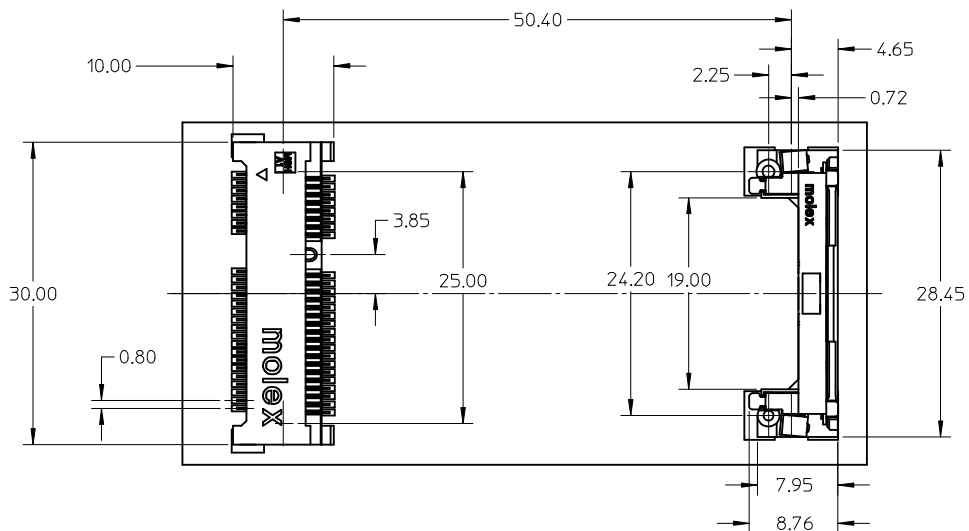
E

D

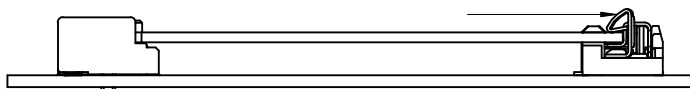
C

B

A



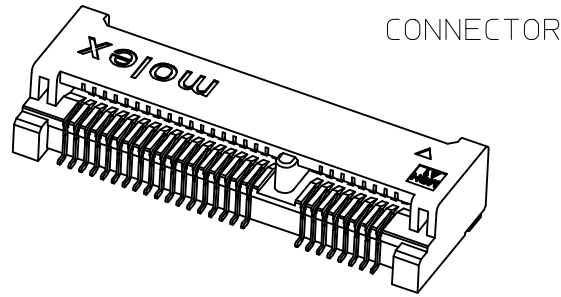
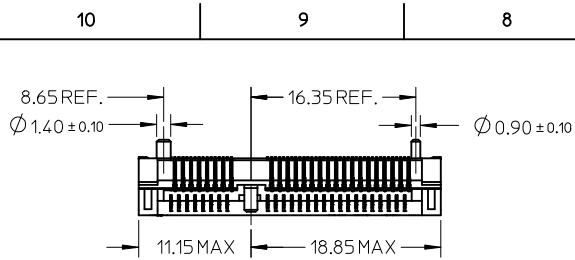
PUSH LATCH TO RELEASE MODULE



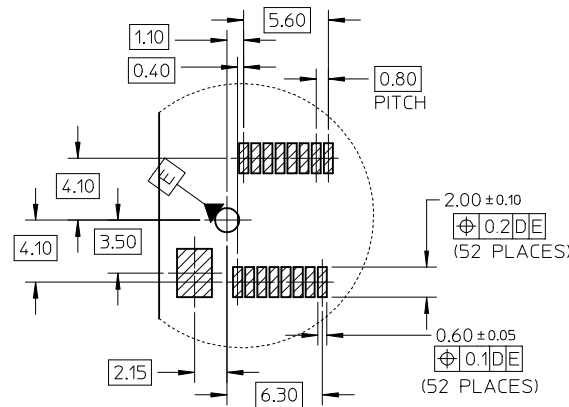
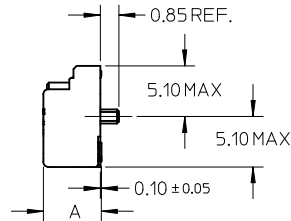
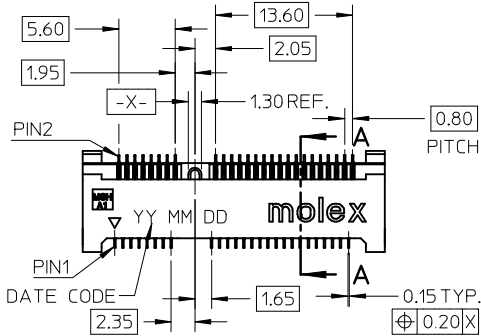
67910-5700	5.75	3.75	10 MICROINCH GOLD	
67910-5701	5.75	3.75	GOLD FLASH	
P/N	DIMENSION	A	B	CONTACT PLATING

REVISED EC NO: SH2009-0388 DR: WINEZHAO CHKD: APPR: HWANG	2008/12/03 2008/12/04 2008/12/09	DESCRIPTION REV	QUALITY SYMBOLS ▽=0 ◻=0	GENERAL TOLERANCES (UNLESS SPECIFIED) mm INCH 4 PLACES ± --- ± --- 3 PLACES ± --- ± --- 2 PLACES ± 0.25 ± --- 1 PLACE ± 0.25 ± --- ANGULAR ± 3 °	DIMENSION STYLE MM ONLY DRAWN BY: DAVID HU DATE: 2005/09/22 CHECKED BY: HARVEY DATE: 2005/10/26 APPROVED BY: GARY DATE: 2005/10/26	SCALE 1:1	DESIGN UNITS METRIC	THIRD ANGLE PROJECTION	TITLE MINI PCI EXPRESS CONN. 0.8MM PITCH 52 CIRCUIT LEAD-FREE
			MATERIAL NO. SEE SHEET 1	DOCUMENT NO. SD-67910-004	SHEET NO. 1 OF 3				
			DRAFT WHERE APPLICABLE MUST REMAIN WITHIN DIMENSIONS						
			THIS DRAWING CONTAINS INFORMATION THAT IS PROPRIETARY TO MOLEX INCORPORATED AND SHOULD NOT BE USED WITHOUT WRITTEN PERMISSION						

9 8 7 6 5 4 3 2 1

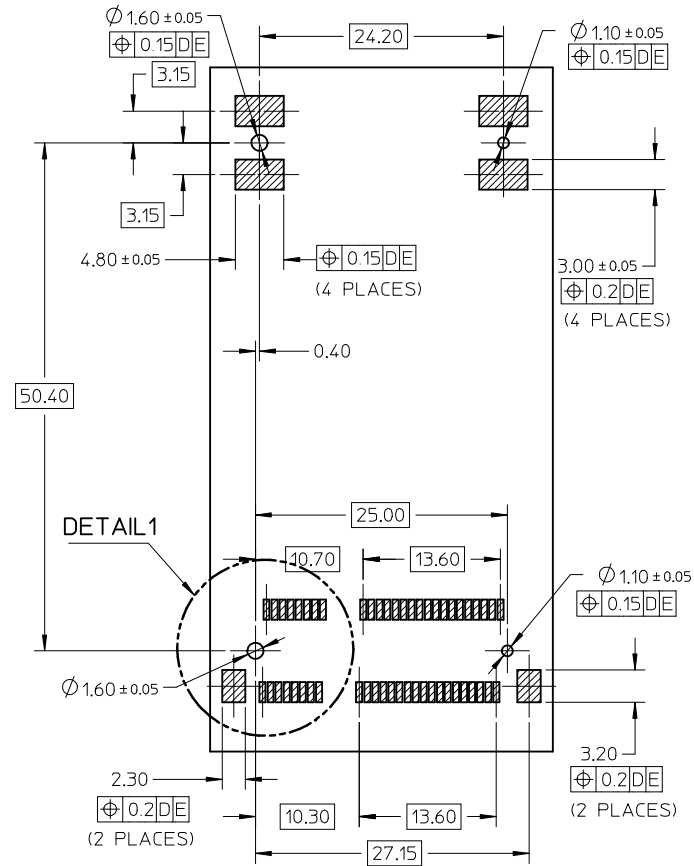


CONNECTOR



DETAIL 1

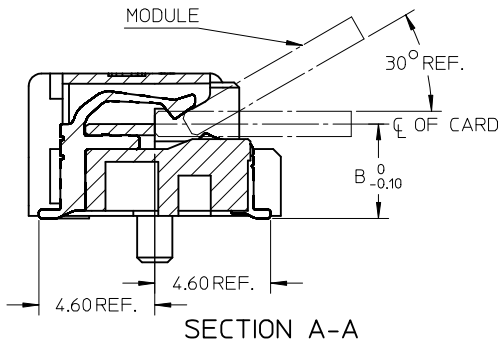
Scale 3:1



RECOMMENDED PCB LAYOUT

NOTES:

1. MATERIALS: HOUSING:LCP COLOR:BLACK UL94V-0
CONTACT:PHOSPHOR BRONZE
NAIL:BRASS
2. FINISH: CONTACT:SELECTIVE GOLD IN CONTACT AND SOLDER AREA
UNDERPLATED:NICKEL OVERALL
NAIL:TIN IN SOLDER AREA
UNDERPLATED:NICKEL OVERALL
3. THE MODULE CARD REFERENCE MINIPCI-E CARD
ELECTROMECHANICAL SPECIFICATION
4. DATUM D IS THE TOP OF SURFACE OF PCB
5. MATCHED LATCH 48099**** SERIES.
6. PART 67910**** COMPLIANT TO ROHS DIRECTIVE 2002/95/EC
AND ELV DIRECTIVE 2000/53/EC.

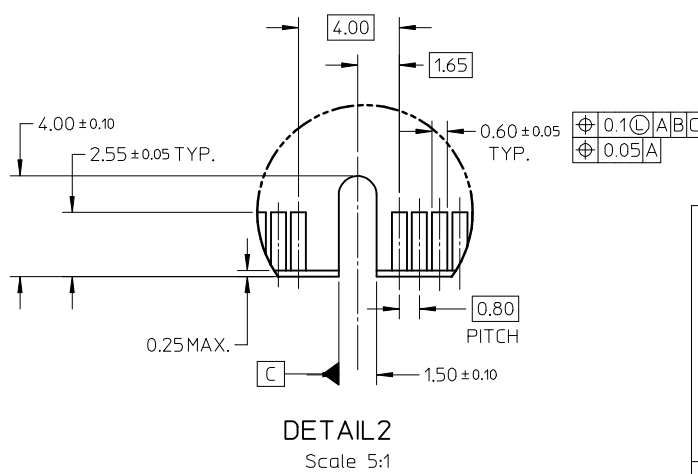
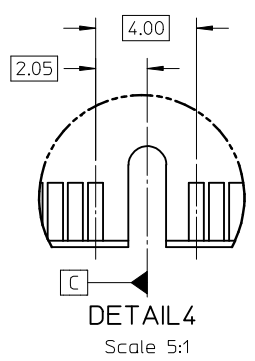
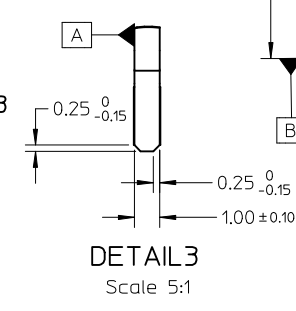
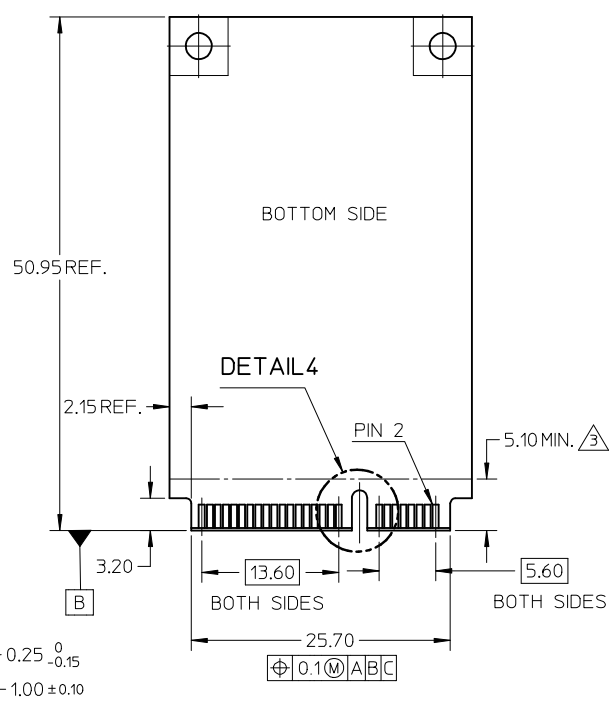
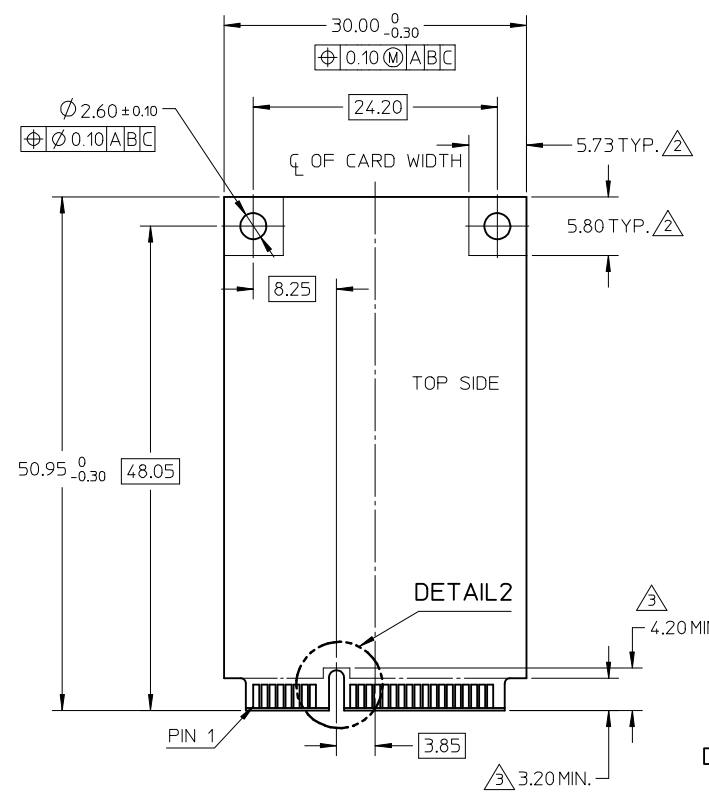


SECTION A-A

Scale 5:1

REVISED EC NO: SH2009-0388 DR:WINEZHAO CHKD: APPR:HWANG 2008/12/03 2008/12/04 2008/12/09	QUALITY SYMBOLS ▽=0 ◻=0	GENERAL TOLERANCES (UNLESS SPECIFIED)		DIMENSION STYLE MM ONLY		SCALE 1:1	DESIGN UNITS METRIC	THIRD ANGLE PROJECTION		
		4 PLACES ± --- ± ---	DRAWN BY DAVID HU	DATE 2005/09/22	TITLE MINI PCI EXPRESS CONN. 0.8MM PITCH 52 CIRCUIT LEAD-FREE					
		3 PLACES ± --- ± ---	CHECKED BY HARVEY	DATE 2005/10/26	MOLEX INCORPORATED					
		2 PLACES ± 0.25 ± --- 1 PLACE ± 0.25 ± ---	APPROVED BY GARY	DATE 2005/10/26	MATERIAL NO. SEE SHEET 1		DOCUMENT NO. SD-67910-004		SHEET NO. 2 OF 3	
DRAFT WHERE APPLICABLE MUST REMAIN WITHIN DIMENSIONS		SIZE A3		THIS DRAWING CONTAINS INFORMATION THAT IS PROPRIETARY TO MOLEX INCORPORATED AND SHOULD NOT BE USED WITHOUT WRITTEN PERMISSION						

NOTES,
 1. PIN NUMBERING REFERENCE:
 ODD PINS-TOP SIDE
 EVEN PINS-BOTTOM SIDE
 2. COMPONENT AND ROUTING(ALL LAYERS)
 KEEP OUT AREA FOR HOLD DOWN SOLUTIONS
 3. COMPONENT KEEP OUT AREA FOR CONNECTOR



REVISED EC NO: SH2009-0388 DRW: ZHAO CHKD: APPR: HWANG	QUALITY SYMBOLS ▽=0 C=0	GENERAL TOLERANCES (UNLESS SPECIFIED)		DIMENSION STYLE MM ONLY		SCALE 1:1	DESIGN UNITS METRIC	THIRD ANGLE PROJECTION		
		mm	INCH	DRAWN BY DAVID HU	DATE 2005/09/22	TITLE MINI PCI EXPRESS CONN. 0.8MM PITCH 52 CIRCUIT LEAD-FREE				
		4 PLACES ± ---	± ---	CHECKED BY HARVEY	DATE 2005/10/26	APPROVED BY GARY				
		3 PLACES ± ---	± ---	DATE 2005/10/26		MATERIAL NO. SEE SHEET 1				
2 PLACES ± 0.25	± ---	ANGULAR ± 3 °		DOCUMENT NO. SD-67910-004		MOLEX INCORPORATED				
1 PLACE ± 0.25	± ---	DRAFT WHERE APPLICABLE MUST REMAIN WITHIN DIMENSIONS		SHEET NO. 3 OF 3		THIS DRAWING CONTAINS INFORMATION THAT IS PROPRIETARY TO MOLEX INCORPORATED AND SHOULD NOT BE USED WITHOUT WRITTEN PERMISSION				