



Chipsmall Limited consists of a professional team with an average of over 10 year of expertise in the distribution of electronic components. Based in Hongkong, we have already established firm and mutual-benefit business relationships with customers from,Europe,America and south Asia,supplying obsolete and hard-to-find components to meet their specific needs.

With the principle of “Quality Parts,Customers Priority,Honest Operation,and Considerate Service”,our business mainly focus on the distribution of electronic components. Line cards we deal with include Microchip,ALPS,ROHM,Xilinx,Pulse,ON,Everlight and Freescale. Main products comprise IC,Modules,Potentiometer,IC Socket,Relay,Connector.Our parts cover such applications as commercial,industrial, and automotives areas.

We are looking forward to setting up business relationship with you and hope to provide you with the best service and solution. Let us make a better world for our industry!



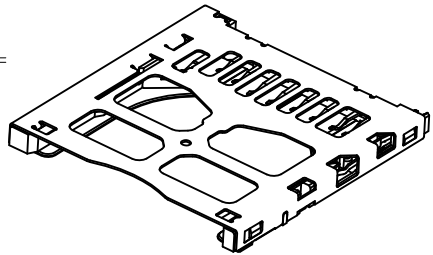
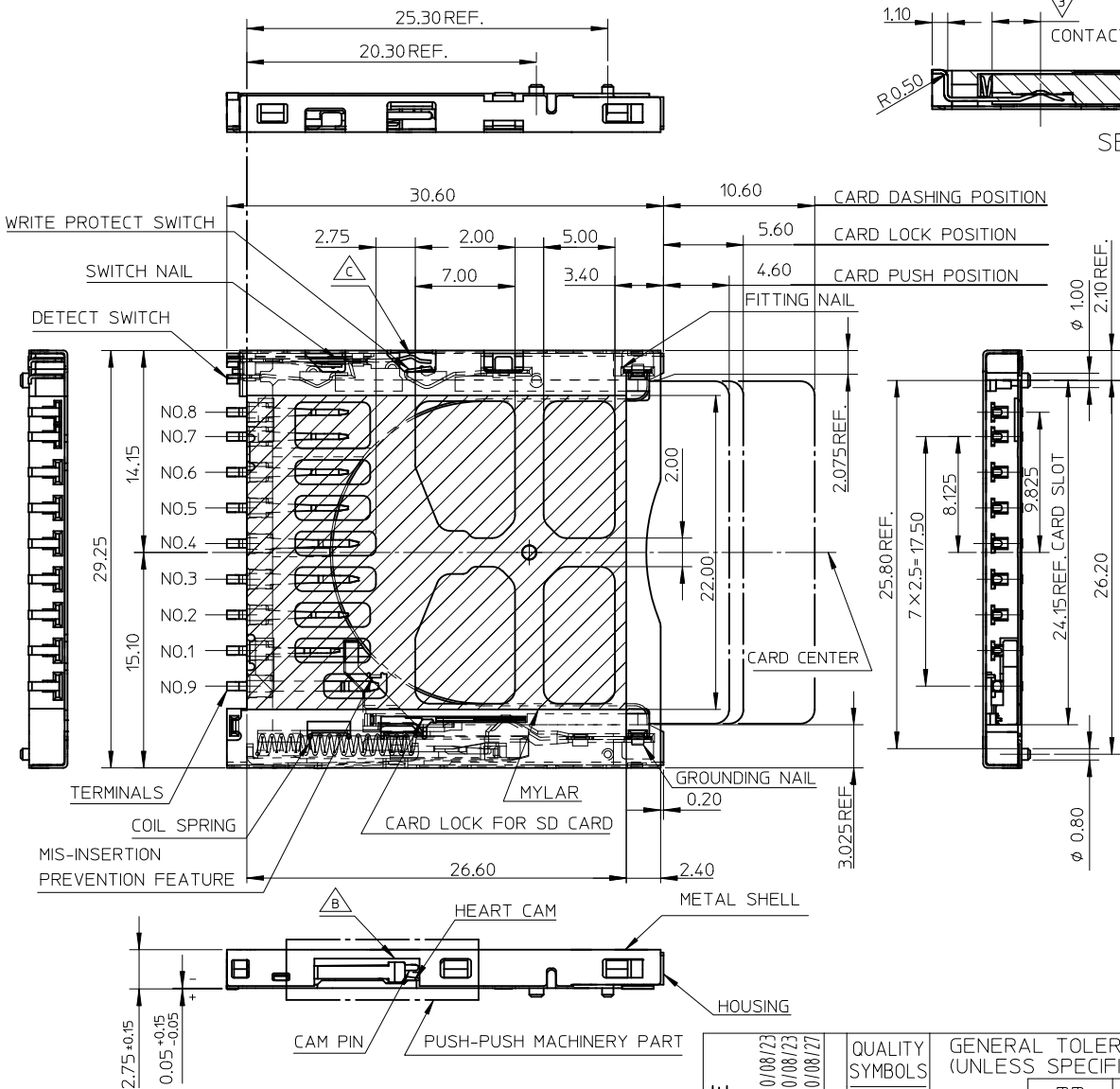
## Contact us

Tel: +86-755-8981 8866 Fax: +86-755-8427 6832

Email & Skype: info@chipsmall.com Web: www.chipsmall.com

Address: A1208, Overseas Decoration Building, #122 Zhenhua RD., Futian, Shenzhen, China





- NOTES:
- HOUSING: HIGH TEMPERATURE THERMOPLASTIC.  
COLOR: BLACK
  - TERMINAL: COPPER ALLOY, SELECTIVE Au PLATING
  - METAL SHELL: STAINLESS STEEL
  - EACH SWITCHES: COPPER ALLOY, SELECTIVE Au PLATING.
  - EACH NAILS: COPPER ALLOY, SELECTIVE AU PLATING.
  - COIL SPRING: STEEL WIRE.
  - CAM PIN: STAINLESS STEEL
- 2.TERMINAL AND NAIL COPLANARITY TO BE 0.1MAX
- 3.CONTACT POSITION OF CARD SIDE

TERMINAL NO.	CONTACT POSITION
NO.1	2.4
NO.2,5,6,7,8	2.9
NO.3,4	3.4
NO.9	5.2

4.OPEN/CLOSE OF EACH SWITCH

	PROTECT TERMINAL		DETECT TERMINAL
	WRITE PROTECT POSITION	WRITE ENABLE POSITION	
CARD UNINSERTION	OPEN	OPEN	OPEN
CARD HALF INSERTION	CLOSE	CLOSE	OPEN
CARD INSERTION	OPEN	CLOSE	CLOSE

- WHEN DELIVERING, THE PUSH/PUSH MECHANISM IS IN THE STATE OF THE UNLOCK.(CARD DASHING OUT POSITION)
- CARD READ ONLY BY THE TIME THE CARD DETECTION.
- 1/0 CONTACTS, BASED ON SD I/O ASSOC. REV.G.

PART NO.	DESCRIPTION	PRODUCT SPECIFICATION	REMARK
67913-0001	TIN-LEAD	PS-67840-001	FOR SD ONLY
67913-0002	LEAD FREE	PS-67913-002	
67913-0003	TIN-LEAD WITH/MYLAR	PS-67840-001	
67913-0006	TIN-LEAD W/O CARD LOCK PIN	PS-67913-003	SD/MMC

MODIFY PACKAGE  
 EC NO: SH2011-0064  
 T1 DRWN: JLU39 2010/08/23  
 CHKD: JLU39 2010/08/23  
 APPR: XJSONG 2010/08/27

QUALITY SYMBOLS  
 F=0  
 F=0  
 F=0

GENERAL TOLERANCES (UNLESS SPECIFIED)

	mm	INCH
4 PLACES	± ---	± ---
3 PLACES	± ---	± ---
2 PLACES	± 0.25	± ---
1 PLACE	± 0.25	± ---

ANGULAR ± 3°

DRAFT WHERE APPLICABLE MUST REMAIN WITHIN DIMENSIONS

DIMENSION STYLE  
**MM ONLY**

SCALE  
**3:1**

DESIGN UNITS  
**METRIC**

THIRD ANGLE PROJECTION

DRAWN BY: MAX  
 DATE: 2003/02/13

CHECKED BY: WILSON  
 DATE: 2003/02/13

APPROVED BY: ERICK  
 DATE: 2003/02/13

MATERIAL NO.  
**SEE TABLE**

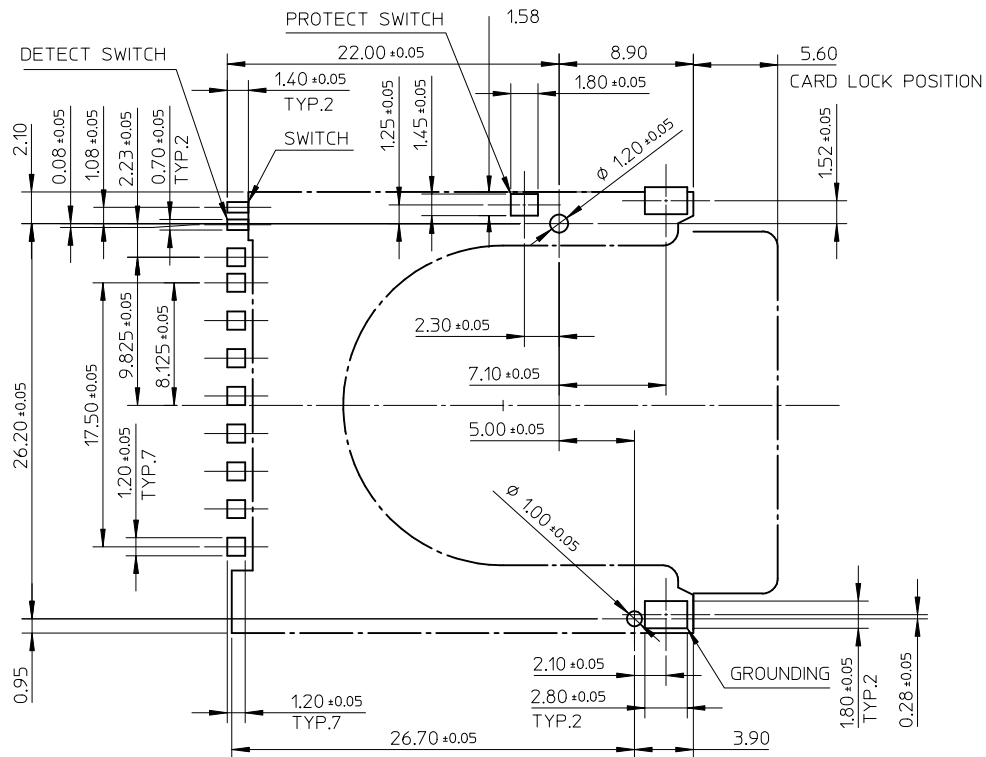
SD/I/O CARD CONN.  
 REVERSE TYPE WITH  
 PUSH PUSH

**molex** MOLEX INCORPORATED

DOCUMENT NO.  
**SD-67913-001**

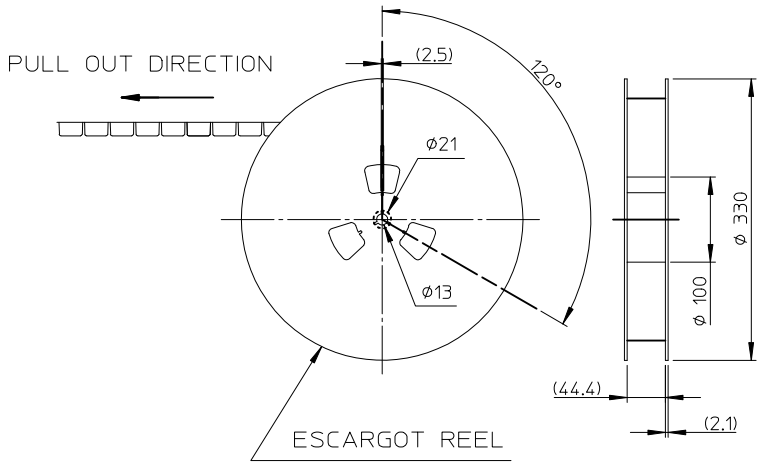
SHEET NO.  
**1 OF 3**

THIS DRAWING CONTAINS INFORMATION THAT IS PROPRIETARY TO MOLEX INCORPORATED AND SHOULD NOT BE USED WITHOUT WRITTEN PERMISSION



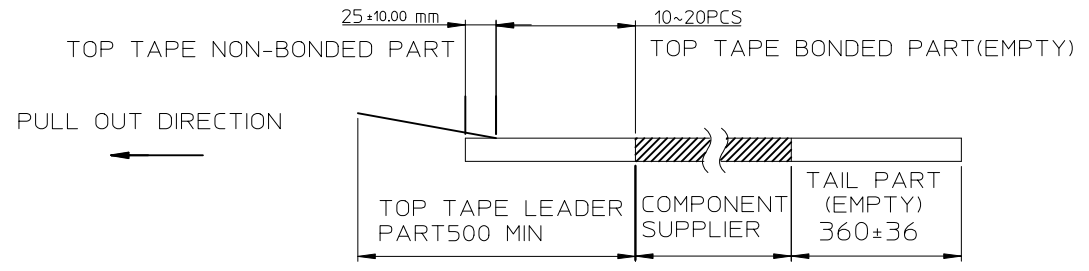
RECOMMENDED P.C.B LAYOUT DIMENSION

<b>MODIFY PACKAGE</b> EC NO: SH2011-0064 DRWN: JL U39 CHKD: JL U39 APPR: XJ SONG 2010/08/23 2010/08/23 2010/08/27	QUALITY SYMBOLS $\nabla_{\text{S}}=0$ $\nabla_{\text{G}}=0$ $\nabla_{\text{P}}=0$	GENERAL TOLERANCES (UNLESS SPECIFIED)		DIMENSION STYLE <b>MM ONLY</b>	SCALE <b>3:1</b>	DESIGN UNITS <b>METRIC</b>	THIRD ANGLE PROJECTION		
		4 PLACES ± --- ± --- 3 PLACES ± --- ± --- 2 PLACES ± 0.25 ± --- 1 PLACE ± 0.25 ± ---	mm    INCH	DRAWN BY MAX	DATE 2003/02/13	TITLE <b>SD/IO CARD CONN.          REVERSE TYPE WITH          PUSH PUSH</b>			
		ANGULAR ± 3 °		CHECKED BY WILSON	DATE 2003/02/13	<b>molex</b> MOLEX INCORPORATED			
		DRAFT WHERE APPLICABLE MUST REMAIN WITHIN DIMENSIONS		APPROVED BY ERICK	DATE 2003/02/13	MATERIAL NO. <b>SEE TABLE</b>	DOCUMENT NO. <b>SD-67913-001</b>	SHEET NO. <b>2 OF 3</b>	

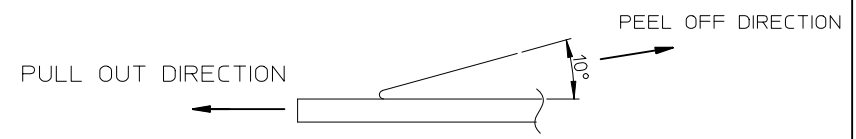


NOTES

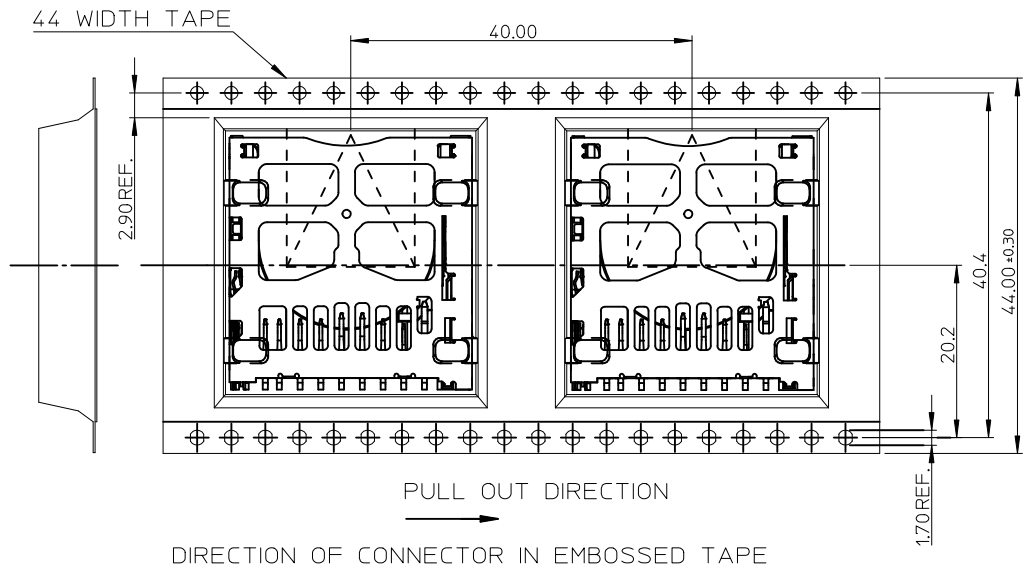
- △ 1. NUMBER OF CONNECTORS: 300 PCS/REEL
- 2.



- 3. PEEL OFF FORCE OF TOP TAPE: 0.1~1.3 N (10.2~130gf)  
PEELING DIRECTION AS SHOWN IN FOLLOWING FIG.)  
(PEEL OFF SPEED: 300mm/min.REF.)



- 4. PACKAGING DRAWING REFERS TO PK-67913-001.



MODIFY PACKAGE EC NO: SH2011-0064 DRWN: JL IU39 CHKD: JL IU39 APPR: XJ SONG	QUALITY SYMBOLS F=0 F=0 F=0	GENERAL TOLERANCES (UNLESS SPECIFIED)		DIMENSION STYLE MM ONLY		SCALE 1:1	DESIGN UNITS METRIC	THIRD ANGLE PROJECTION	
		4 PLACES ± --- ± ---	3 PLACES ± --- ± ---	2 PLACES ± 0.25 ± ---	1 PLACE ± 0.25 ± ---	ANGULAR ± 3 °	DRAWN BY MAX	DATE 2003/02/13	TITLE SD/IO CARD CONN. REVERSE TYPE WITH PUSH PUSH
		DRAFT WHERE APPLICABLE MUST REMAIN WITHIN DIMENSIONS		SEE TABLE	MATERIAL NO.	DOCUMENT NO.	ERICK	DATE 2003/02/13	MOLEX INCORPORATED
				SIZE A3	THIS DRAWING CONTAINS INFORMATION THAT IS PROPRIETARY TO MOLEX INCORPORATED AND SHOULD NOT BE USED WITHOUT WRITTEN PERMISSION				SHEET NO. 3 OF 3