



Chipsmall Limited consists of a professional team with an average of over 10 year of expertise in the distribution of electronic components. Based in Hongkong, we have already established firm and mutual-benefit business relationships with customers from,Europe,America and south Asia,supplying obsolete and hard-to-find components to meet their specific needs.

With the principle of “Quality Parts,Customers Priority,Honest Operation,and Considerate Service”,our business mainly focus on the distribution of electronic components. Line cards we deal with include Microchip,ALPS,ROHM,Xilinx,Pulse,ON,Everlight and Freescale. Main products comprise IC,Modules,Potentiometer,IC Socket,Relay,Connector.Our parts cover such applications as commercial,industrial, and automotives areas.

We are looking forward to setting up business relationship with you and hope to provide you with the best service and solution. Let us make a better world for our industry!



## Contact us

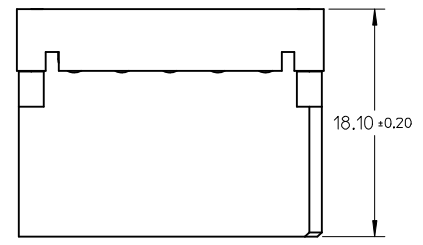
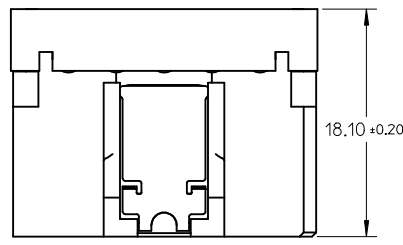
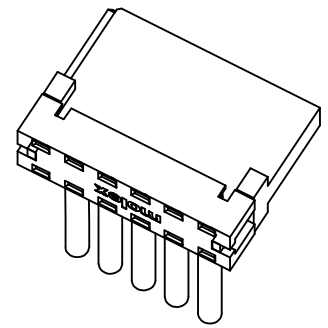
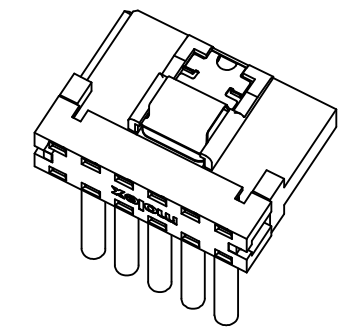
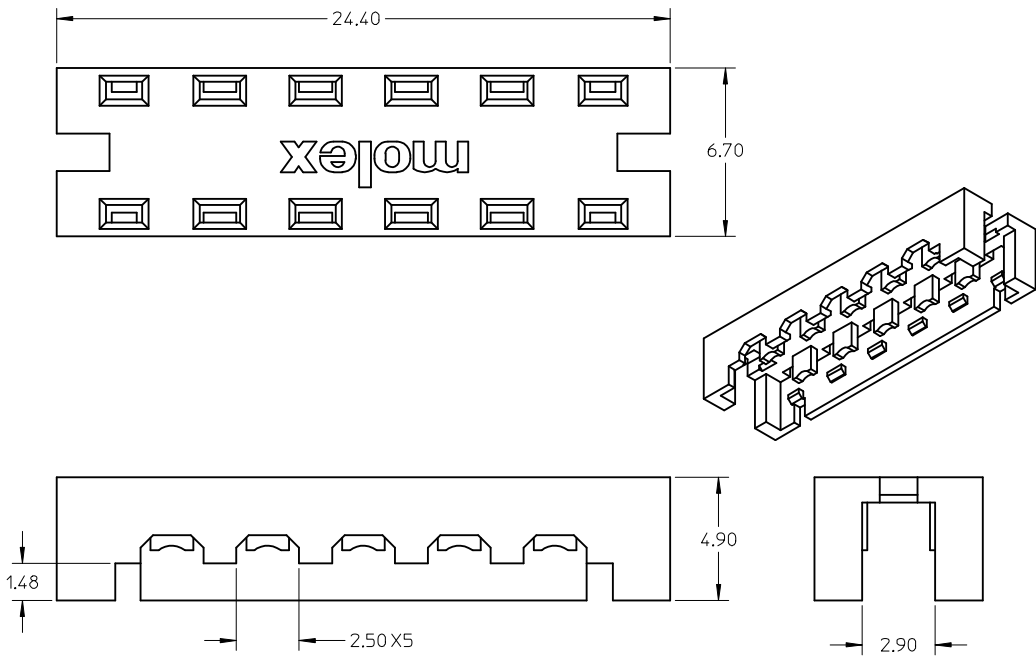
Tel: +86-755-8981 8866 Fax: +86-755-8427 6832

Email & Skype: info@chipsmall.com Web: www.chipsmall.com

Address: A1208, Overseas Decoration Building, #122 Zhenhua RD., Futian, Shenzhen, China



10 9 8 7 6 5 4 3 2 1



APPLICATION FOR WITH LATCH TYPE

APPLICATION FOR WITHOUT LATCH TYPE

- NOTE**
- 1 MATERIAL: THERMAL PLASTIC, COLOR: BLACK UL94V-0.
  - 2 THIS COVER IS FEED TO TYPE, IT IS AVAILABLE FOR 67926-000\*/002\*(WITH LATCH), 67926-001\*(WITHOUT LATCH).
  - 3 PACKAGE SPEC:
    - 3.1 1000 PCS IN ONE BAG.
    - 3.2 3000 PCS(3 PAGES) IN ONE INNER CARTON.
    - 3.3 12,000 PCS(4 INNER CARTONS) IN ONE OUTER CARTON.

| P/N        | REMARK           |
|------------|------------------|
| 67926-0040 | NON HALOGEN-FREE |
| 67926-0840 | HALOGEN-FREE     |

|   |                               |   |  |                 |   |   |                        |
|---|-------------------------------|---|--|-----------------|---|---|------------------------|
| ADD PART NUMBER<br>EC NO: SH2009-0536<br>TDRW: XJ SONG 2009/05/05<br>CHKD: XJ SONG 2009/06/19<br>APPR: HWANG 2009/06/23 | QUALITY SYMBOLS<br>▽=0<br>▽=0 | GENERAL TOLERANCES (UNLESS SPECIFIED)   |  | DIMENSION STYLE | SCALE   | DESIGN UNITS  | THIRD ANGLE PROJECTION |
|   |                               |   |  | MM ONLY         | 5:1   | METRIC  |                        |
|   |                               |   |  | DRAWN BY        | DATE  | TITLE   |                        |
|   |                               |   |  | CHECKED BY      | DATE  |   |                        |
|   |                               | 4 PLACES ± --- ± ---<br>3 PLACES ± --- ± ---<br>2 PLACES ± 0.15 ± ---<br>1 PLACE ± 0.25 ± --- |  | APPROVED BY     | DATE  | FEED TO COVER FOR<br>SATA POWER CONNECTOR<br>IDT TYPE |                        |
|   |                               | ANGULAR ± 1 °   |  | SAM             | 2004/04/25  |   |                        |
|   |                               | DRAFT WHERE APPLICABLE MUST REMAIN WITHIN DIMENSIONS  |  | MATERIAL NO.    | DOCUMENT NO.  | MOLEX INCORPORATED<br>SD-67926-003                    |                        |
|   |                               |   |  | SIZE            | THIS DRAWING CONTAINS INFORMATION THAT IS PROPRIETARY TO MOLEX INCORPORATED AND SHOULD NOT BE USED WITHOUT WRITTEN PERMISSION |   |                        |

9 8 7 6 5 4 3 2 1