



Chipsmall Limited consists of a professional team with an average of over 10 year of expertise in the distribution of electronic components. Based in Hongkong, we have already established firm and mutual-benefit business relationships with customers from,Europe,America and south Asia,supplying obsolete and hard-to-find components to meet their specific needs.

With the principle of "Quality Parts,Customers Priority,Honest Operation,and Considerate Service",our business mainly focus on the distribution of electronic components. Line cards we deal with include Microchip,ALPS,ROHM,Xilinx,Pulse,ON,Everlight and Freescale. Main products comprise IC,Modules,Potentiometer,IC Socket,Relay,Connector.Our parts cover such applications as commercial,industrial, and automotives areas.

We are looking forward to setting up business relationship with you and hope to provide you with the best service and solution. Let us make a better world for our industry!



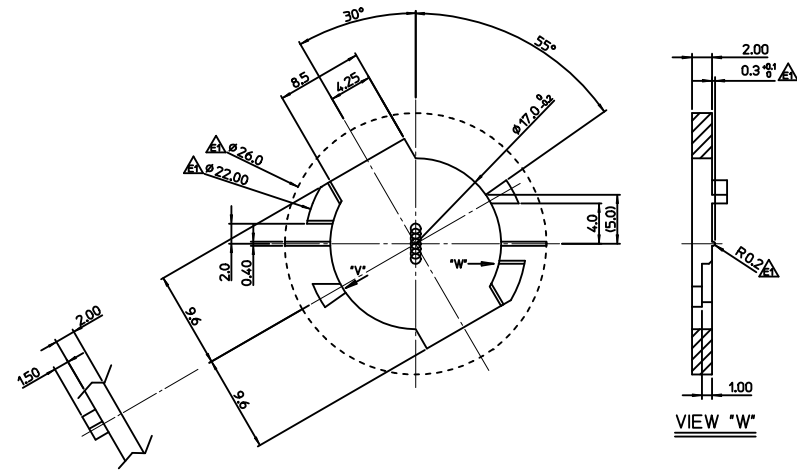
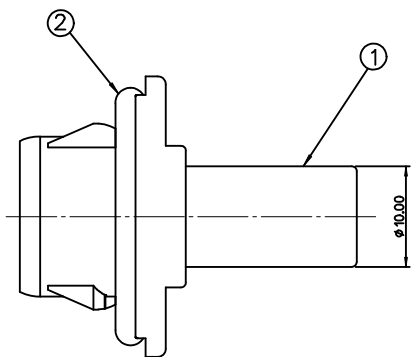
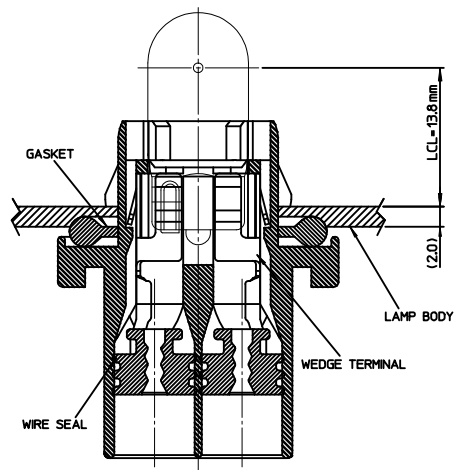
## Contact us

Tel: +86-755-8981 8866 Fax: +86-755-8427 6832

Email & Skype: info@chipsmall.com Web: www.chipsmall.com

Address: A1208, Overseas Decoration Building, #122 Zhenhua RD., Futian, Shenzhen, China

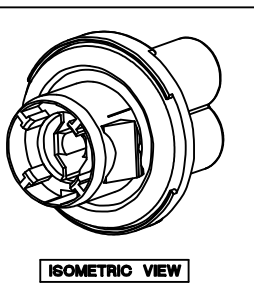
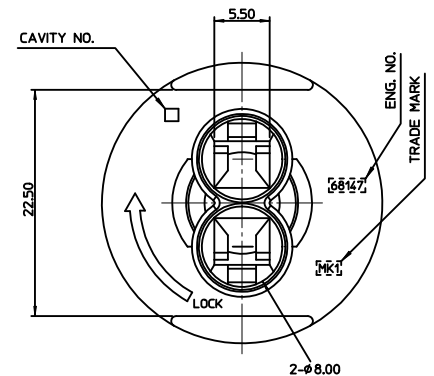
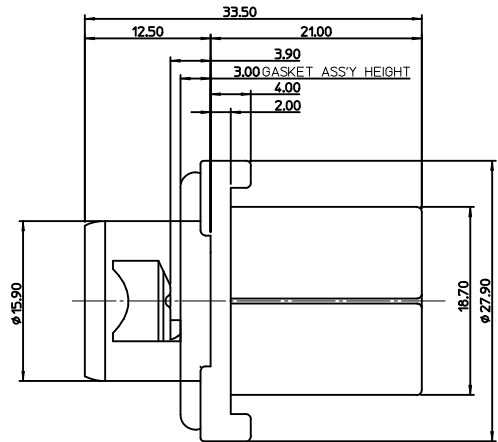
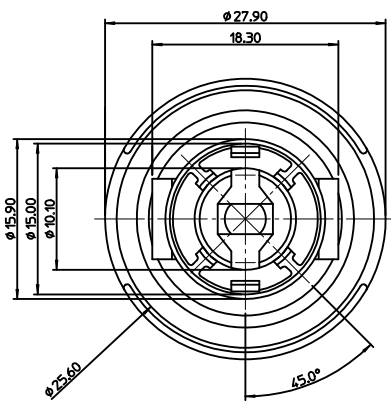




VIEW "V"

SOCKET PLUG HOLE

VIEW "W"



ISOMETRIC VIEW

- NOTES
1. MATERIAL : POLYAMIDE(PA66), 40% MINERAL FILLED, UL94HB.
  2. PRODUCT SPECIFICATION: PS-68147-001
  3. LIGHT CENTER LENGTH: 13.8mm
  4. APPLICABLE WEDGE BASE BULB: W2.1X9.5d(W5W)
  5. MATES WITH

DESCRIPTION	MATERIAL	ORDER NO.	REMARK
WEDGE TERMINAL	BRASS	35477-9002	UNPLATED
TERMINAL WIRE SEAL	SILICONE	49505-9001	BLACK

<PART LIST>

NO.	DESCRIPTION	MATERIAL	USAGE	REMARK
①	WEDGE SOCKET	PA66 M/F	1	GRAY
②	GASKET	SILICONE	1	BLACK

<TABLE 1>

MATERIAL NO.	ORDER NO.
681470215	68147-0215

REVISED E.C. NO.: KOR2011-0010 DRAWN BY: HJKIM CHECKED BY: BKCHOI APPROVED BY: CWLEE DATE: 2010.08.11 DATE: 2010.08.13 DATE: 2010.08.13	QUALITY SYMBOLS	GENERAL TOLERANCES (UNLESS SPECIFIED)	DIMENSION STYLE	SCALE	DESIGN UNITS	THIRD ANGLE PROJECTION	
	▽=0	mm INCH	MM ONLY	4:1	METRIC	☐	
	▽=0	4 PLACES ± --- ± ---	DRAWN BY DATE	HJKIM 1999/01/29	TITLE	SEALED BULB SOCKET ASS'Y 2P (WEDGE TYPE)	
		3 PLACES ± --- ± ---	CHECKED BY DATE	BKCHOI 1999/01/29	APPROVED BY DATE	MATERIAL NO. DOCUMENT NO.	
	2 PLACES ± 0.2 ± ---	APPROVED BY DATE	CWLEE 1999/01/29	MOLEX INCORPORATED			
	1 PLACE ± 0.3 ± ---	ANGULAR ± 1°	SEE TABLE 1				
DRAFT WHERE APPLICABLE MUST REMAIN WITHIN DIMENSIONS		SIZE		THIS DRAWING CONTAINS INFORMATION THAT IS PROPRIETARY TO MOLEX INCORPORATED AND SHOULD NOT BE USED WITHOUT WRITTEN PERMISSION			