



Chipsmall Limited consists of a professional team with an average of over 10 year of expertise in the distribution of electronic components. Based in Hongkong, we have already established firm and mutual-benefit business relationships with customers from,Europe,America and south Asia,supplying obsolete and hard-to-find components to meet their specific needs.

With the principle of "Quality Parts,Customers Priority,Honest Operation,and Considerate Service",our business mainly focus on the distribution of electronic components. Line cards we deal with include Microchip,ALPS,ROHM,Xilinx,Pulse,ON,Everlight and Freescale. Main products comprise IC,Modules,Potentiometer,IC Socket,Relay,Connector.Our parts cover such applications as commercial,industrial, and automotives areas.

We are looking forward to setting up business relationship with you and hope to provide you with the best service and solution. Let us make a better world for our industry!



Contact us

Tel: +86-755-8981 8866 Fax: +86-755-8427 6832

Email & Skype: info@chipsmall.com Web: www.chipsmall.com

Address: A1208, Overseas Decoration Building, #122 Zhenhua RD., Futian, Shenzhen, China



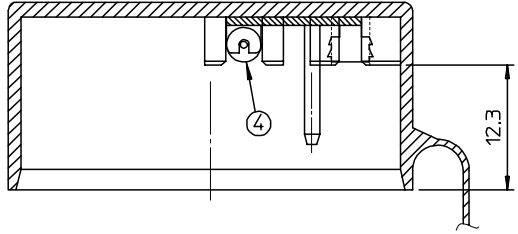
DWG. NO.
SD-68154-001

SIMILAR ITEM

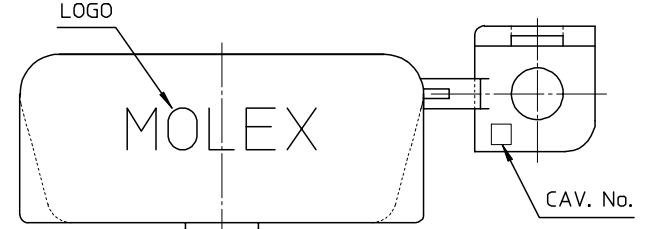
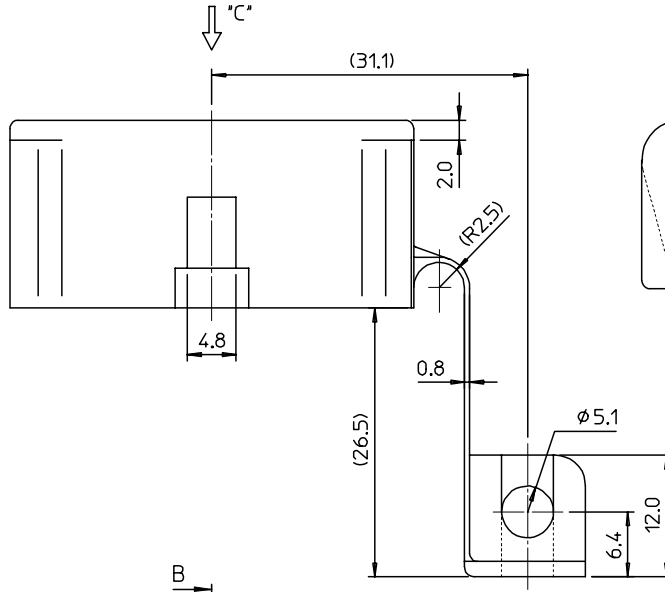
PROJECT NO.

B

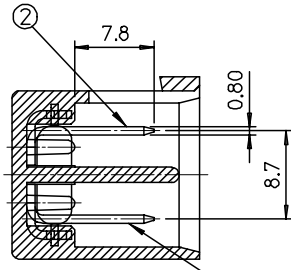
DO NOT SCALE DRAWING
DIMENSION IN METRIC



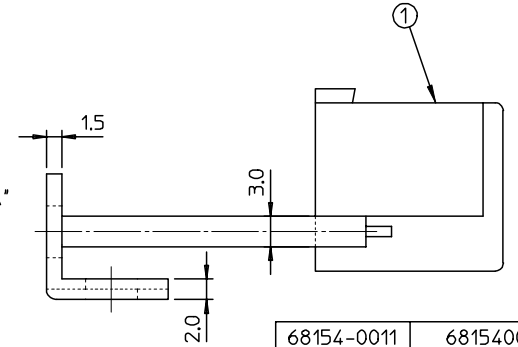
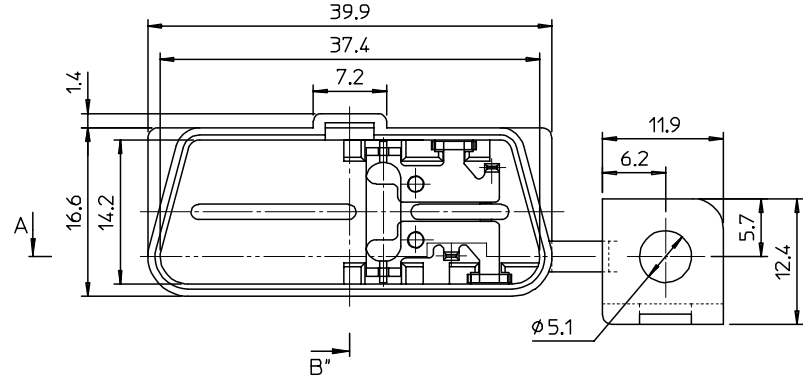
SEC' : A-A"



VIEW "C"



SEC' : B-B*



68154-0011	681540011
PART No.	MATERIAL No.

DIMENSIONS:		SHT	REV
<input type="checkbox"/> mm	<input type="checkbox"/> INCH	<input type="checkbox"/> mm	<input type="checkbox"/> INCH
		REVISE ON CAD ONLY	

NO.	PART NAME	PART No.	MATERIAL	REMARK
1	COVER	68154-0091	PP	BLACK
2	PIN-A	35488-9002	BRASS	TIN PLATING
3	PIN-B	35488-9102	BRASS	TIN PLATING
4	RESISTOR	---	---	510 Ω ±5%

CHANGED BOARD	ECN NO. KOR2003-0261
	DRWN: S.M.KIM 04/12/24
	CHK: B.C.YOON
	APPR: C.W.LEE
REV	DESCRIPTION

QUALITY SYMBOLS
MAJOR
CRITICAL

GENERAL TOLERANCES: (UNLESS SPECIFIED)	
4 PLACES	±0.1
3 PLACES	±0.2
2 PLACES	±0.3
1 PLACE	±0.4
ANGULAR: ± 1°	

SCALE	DESIGN UNITS
2/1	<input checked="" type="checkbox"/> mm <input type="checkbox"/> INCH
DRAWN BY & DATE	
J.S.KANG 00/01/06	
CHECKED BY & DATE	
B.K.CHOI 00/01/06	
APPROVED BY & DATE	
C.W.LEE 00/01/06	
CAD FILENAME	MATERIAL NO.
E68154AB.MI	SEE TABLE

THIRD ANGLE PROJECTION	TITLE:
<input checked="" type="checkbox"/> THIRD ANGLE	OBDII DUMMY PLUG ASS'Y (RESISTOR A-PULL UP)
MOLEX INCORPORATED	
DRAWING NO.	SHEET NO.
SD-68154-001	1 of 1

DRAFT WHERE APPLICABLE MUST REMAIN WITHIN DIMENSIONS

THIS DRAWING CONTAINS INFORMATION THAT IS PROPRIETARY TO MOLEX INCORPORATED AND SHOULD NOT BE USED WITHOUT WRITTEN PERMISSION.