



Chipsmall Limited consists of a professional team with an average of over 10 year of expertise in the distribution of electronic components. Based in Hongkong, we have already established firm and mutual-benefit business relationships with customers from,Europe,America and south Asia,supplying obsolete and hard-to-find components to meet their specific needs.

With the principle of "Quality Parts,Customers Priority,Honest Operation,and Considerate Service",our business mainly focus on the distribution of electronic components. Line cards we deal with include Microchip,ALPS,ROHM,Xilinx,Pulse,ON,Everlight and Freescale. Main products comprise IC,Modules,Potentiometer,IC Socket,Relay,Connector.Our parts cover such applications as commercial,industrial, and automotives areas.

We are looking forward to setting up business relationship with you and hope to provide you with the best service and solution. Let us make a better world for our industry!



Contact us

Tel: +86-755-8981 8866 Fax: +86-755-8427 6832

Email & Skype: info@chipsmall.com Web: www.chipsmall.com

Address: A1208, Overseas Decoration Building, #122 Zhenhua RD., Futian, Shenzhen, China



DO NOT SCALE DRAWING
DIMENSION IN METRIC

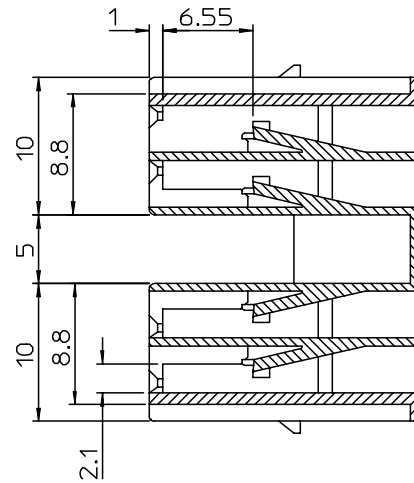
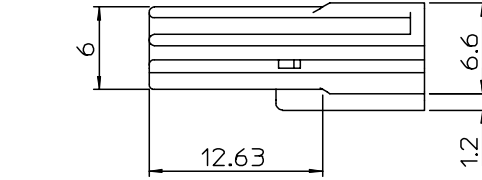
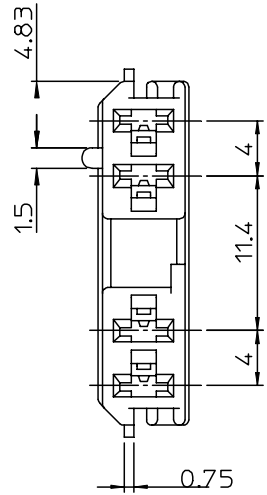
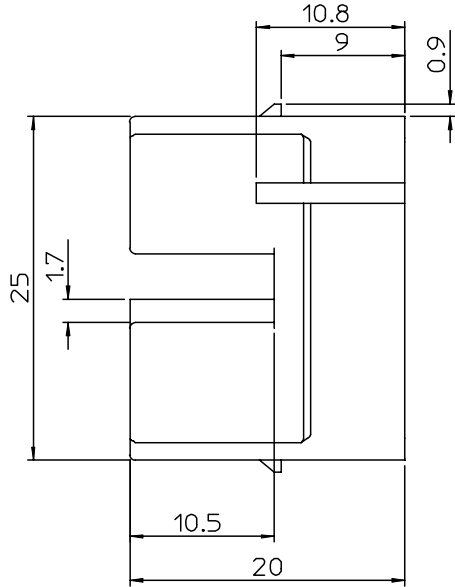
B

C

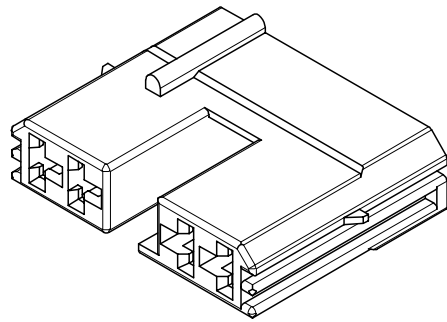
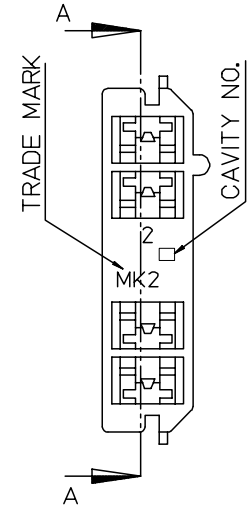
PROJECT NO.

SIMILAR ITEM

DWG. NO.
SD-68428-001



SECTION A-A



NOTES

1. MATERIAL : POLYESTER(PBT),UL94V-0

COLOR : WHITE(NATURAL)

2.PRODUCT SPECIFICATION : PS-68428-001

REVISED	ECN NO. KOR2006-0152 DRWN: J.B.JIN 06/07/10 CHK: W.Y.YANG APPR: S.HCHOI	DESCRIPTION	QUALITY SYMBOLS MAJOR $\blacktriangledown = 0$ CRITICAL $\blacktriangledown C = 0$	GENERAL TOLERANCES: (UNLESS SPECIFIED)		SCALE 1:1	DESIGN UNITS <input checked="" type="checkbox"/> mm <input type="checkbox"/> INCH	<input checked="" type="checkbox"/> THIRD ANGLE <input type="checkbox"/> PROJECTION	DIMENSIONS: <input type="checkbox"/> mm <input type="checkbox"/> INCH <input checked="" type="checkbox"/> mm ONLY	SHT	REV
				4 PLACES $\pm 0.$	$\pm -$	DRAWN BY & DATE W.Y.YANG 03/02/10	TITLE: .110 HOUSING-4P (4mm PITCH) (FOR DOOR SWITCH)			REVISION ON CAD ONLY	
B1	REV	DRAFT WHERE APPLICABLE MUST REMAIN WITHIN DIMENSIONS		3 PLACES $\pm 0.$	$\pm -$	CHECKED BY & DATE W.Y.YANG 03/02/10		MOLEX INCORPORATED			
				2 PLACES ± 0.25	$\pm -$	APPROVED BY & DATE C.W.LEE 03/02/10					
				1 PLACE ± 0.25	$\pm -$	ANGULAR: $\pm 1^\circ$	CAD FILENAME S68428BBJM	MATERIAL NO. 684280400	DRAWING NO. SD-68428-001	SHEET NO. 1 OF 1	SIZE B

THIS DRAWING CONTAINS INFORMATION THAT IS PROPRIETARY TO MOLEX INCORPORATED AND SHOULD NOT BE USED WITHOUT WRITTEN PERMISSION.