



Chipsmall Limited consists of a professional team with an average of over 10 year of expertise in the distribution of electronic components. Based in Hongkong, we have already established firm and mutual-benefit business relationships with customers from,Europe,America and south Asia,supplying obsolete and hard-to-find components to meet their specific needs.

With the principle of “Quality Parts,Customers Priority,Honest Operation,and Considerate Service”,our business mainly focus on the distribution of electronic components. Line cards we deal with include Microchip,ALPS,ROHM,Xilinx,Pulse,ON,Everlight and Freescale. Main products comprise IC,Modules,Potentiometer,IC Socket,Relay,Connector.Our parts cover such applications as commercial,industrial, and automotives areas.

We are looking forward to setting up business relationship with you and hope to provide you with the best service and solution. Let us make a better world for our industry!



Contact us

Tel: +86-755-8981 8866 Fax: +86-755-8427 6832

Email & Skype: info@chipsmall.com Web: www.chipsmall.com

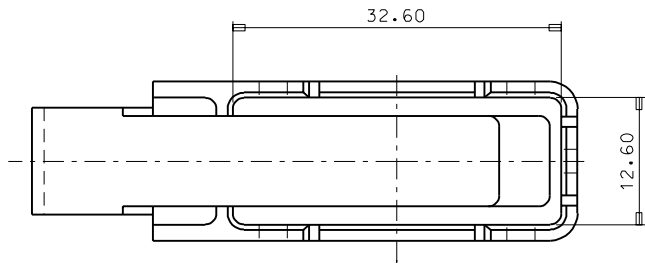
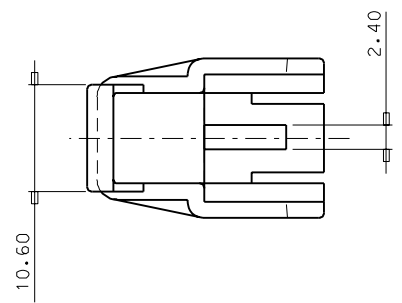
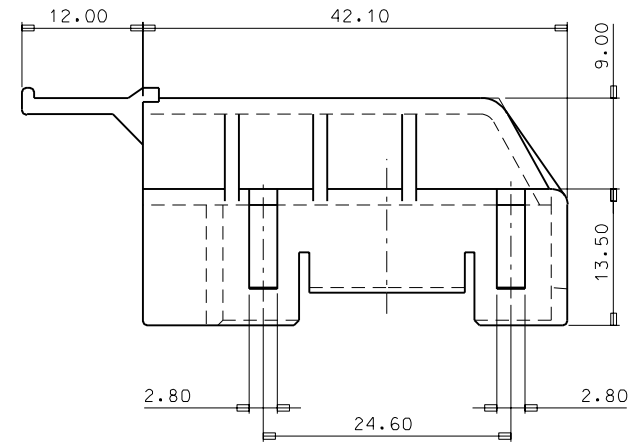
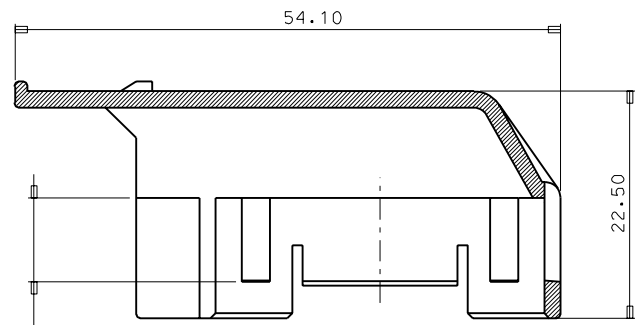
Address: A1208, Overseas Decoration Building, #122 Zhenhua RD., Futian, Shenzhen, China



DO NOT SCALE DRAWING
DIMENSION IN METRIC

PROJECT NO.
SIMILAR ITEM

DWG. NO. SD-68503-005



NOTES

- MATERIAL : POLYESTER ,BLACK
- APPLICATION : OBD M/HSG 16P (ENG. NO.:68503-1602)

NO.		685030101		68503-0101		MATERIAL NO.		ENG. NO.		DIMENSIONS:		SHT	REV	
RELEASE TO MANUFACTURING		EC NO.: KOR2002-0057		DRWN: H.C.RHO 2001/12/29		CHK: H.C.RHO 2001/12/29		APPR: C.W.LEE 2001/12/29		<input type="checkbox"/> mm <input type="checkbox"/> INCH <input checked="" type="checkbox"/> mm ONLY				
A	REV	QUALITY SYMBOLS		GENERAL TOLERANCES: (UNLESS SPECIFIED)		SCALE	DESIGN UNITS	THIRD ANGLE PROJECTION		TITLE:				
		MAJOR		mm INCH		2:1	<input checked="" type="checkbox"/> mm <input type="checkbox"/> INCH	<input type="checkbox"/> THIRD ANGLE <input type="checkbox"/> FIRST ANGLE		OBD WIRE DRESS COVER				
		CRITICAL		4 PLACES	±0.	±.	DRAWN BY & DATE		MOLEX INCORPORATED KOREA					
		C		3 PLACES	±0.	±.	CHECKED BY & DATE		MATERIAL NO. DRAWING NO. SHEET NO.					
				2 PLACES	±0.3	±.	APPROVED BY & DATE		SEE TABLE		SD-68503-005		1 OF 1	
		1 PLACE	±0.	±.	C.W.LEE 011229		SOBDCOV		THIS DRAWING CONTAINS INFORMATION THAT IS PROPRIETARY TO MOLEX INCORPORATED AND SHOULD NOT BE USED WITHOUT WRITTEN PERMISSION.					
		ANGULAR: ±		°		CAD FILENAME		SIZE		B				
		DRAFT WHERE APPLICABLE MUST REMAIN WITHIN DIMENSIONS								MX-A3				