



Chipsmall Limited consists of a professional team with an average of over 10 year of expertise in the distribution of electronic components. Based in Hongkong, we have already established firm and mutual-benefit business relationships with customers from,Europe,America and south Asia,supplying obsolete and hard-to-find components to meet their specific needs.

With the principle of “Quality Parts,Customers Priority,Honest Operation,and Considerate Service”,our business mainly focus on the distribution of electronic components. Line cards we deal with include Microchip,ALPS,ROHM,Xilinx,Pulse,ON,Everlight and Freescale. Main products comprise IC,Modules,Potentiometer,IC Socket,Relay,Connector.Our parts cover such applications as commercial,industrial, and automotives areas.

We are looking forward to setting up business relationship with you and hope to provide you with the best service and solution. Let us make a better world for our industry!



Contact us

Tel: +86-755-8981 8866 Fax: +86-755-8427 6832

Email & Skype: info@chipsmall.com Web: www.chipsmall.com

Address: A1208, Overseas Decoration Building, #122 Zhenhua RD., Futian, Shenzhen, China

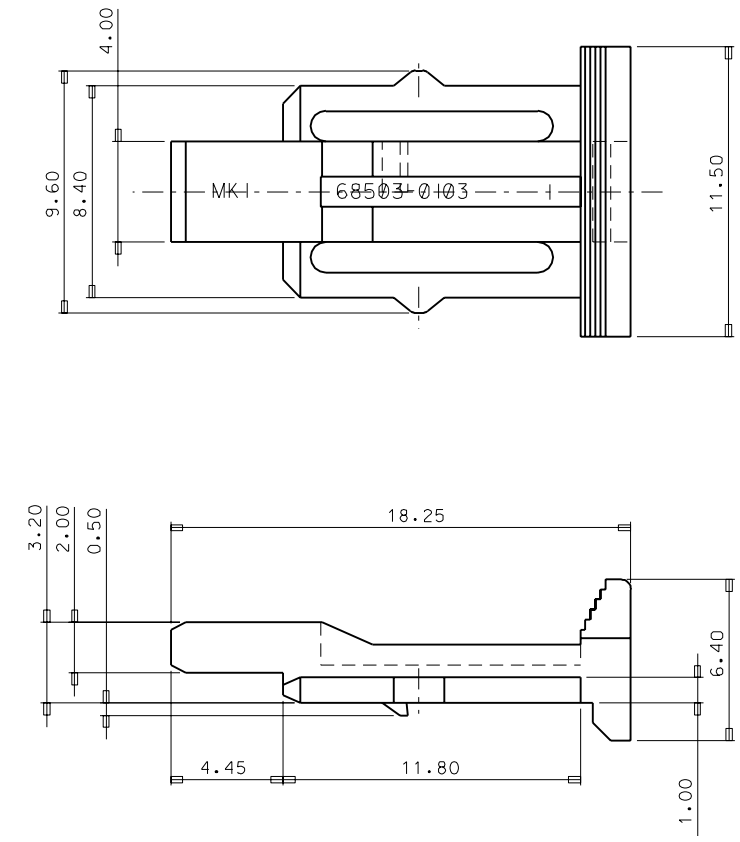
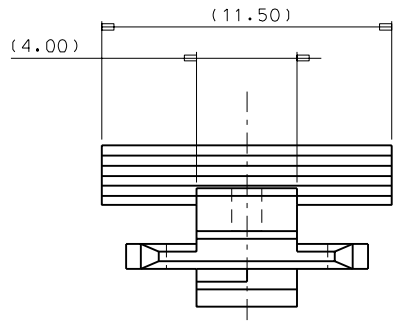


DO NOT SCALE DRAWING
DIMENSION IN METRIC

B
C
PROJECT NO.
SIMILAR ITEM
DWG. NO. SD-68503-006

NOTES

- MATERIAL : POLYAMIDE(NYLON 66),YELLOW
- APPLICATION : OBD M/HSG 16P (ENG.NO.:68503-1602)



NO.	685030103	68503-0103
MATERIAL NO.		
ENG. NO.		

RELEASED MANUFACTURING EC NO.: KOR2002-0057 DRWN: H.C.RHO 2001/12/29 CHK: H.C.RHO 2001/12/29 APPR: C.W.LEE 2001/12/29	QUALITY SYMBOLS	GENERAL TOLERANCES: (UNLESS SPECIFIED)	SCALE 5:1	DESIGN UNITS <input checked="" type="checkbox"/> mm <input type="checkbox"/> INCH	THIRD ANGLE PROJECTION	DIMENSIONS: <input type="checkbox"/> mm <input type="checkbox"/> INCH <input checked="" type="checkbox"/> mm ONLY	SHT	REV
	MAJOR	4 PLACES	mm	INCH	DRAWN BY & DATE H.C.RHO 011229	TITLE: OBD PLUG CPA		
	CRITICAL	3 PLACES	±0.	±.	CHECKED BY & DATE H.C.RHO 011229			
		2 PLACES	±0.1	±.	APPROVED BY & DATE C.W.LEE 011229			
	1 PLACE	±0.	±.	CAD FILENAME SOBDCPA				
REV	DESCRIPTION	ANGULAR: ± 1°	DRAFT WHERE APPLICABLE MUST REMAIN WITHIN DIMENSIONS		MATERIAL NO. SEE TABLE	DRAWING NO. SD-68503-006	SHEET NO. 1 OF 1	SIZE B

THIS DRAWING CONTAINS INFORMATION THAT IS PROPRIETARY TO MOLEX INCORPORATED AND SHOULD NOT BE USED WITHOUT WRITTEN PERMISSION.

MOLEX INCORPORATED KOREA