



Chipsmall Limited consists of a professional team with an average of over 10 year of expertise in the distribution of electronic components. Based in Hongkong, we have already established firm and mutual-benefit business relationships with customers from,Europe,America and south Asia,supplying obsolete and hard-to-find components to meet their specific needs.

With the principle of “Quality Parts,Customers Priority,Honest Operation,and Considerate Service”,our business mainly focus on the distribution of electronic components. Line cards we deal with include Microchip,ALPS,ROHM,Xilinx,Pulse,ON,Everlight and Freescale. Main products comprise IC,Modules,Potentiometer,IC Socket,Relay,Connector.Our parts cover such applications as commercial,industrial, and automotives areas.

We are looking forward to setting up business relationship with you and hope to provide you with the best service and solution. Let us make a better world for our industry!



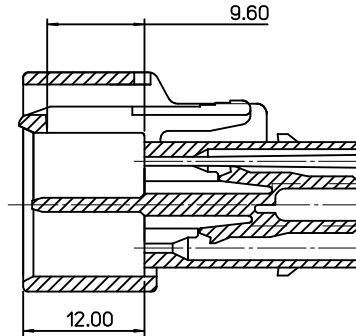
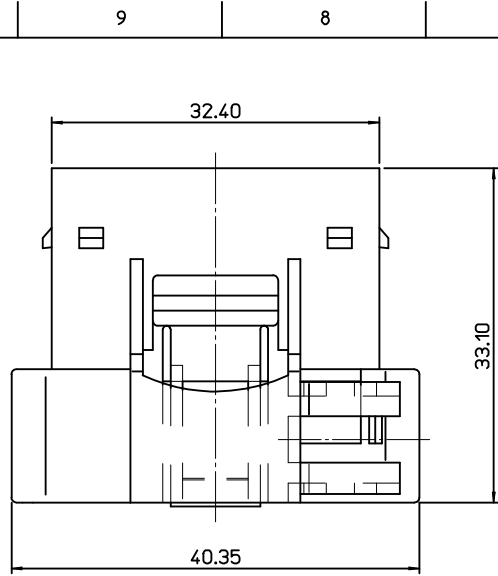
Contact us

Tel: +86-755-8981 8866 Fax: +86-755-8427 6832

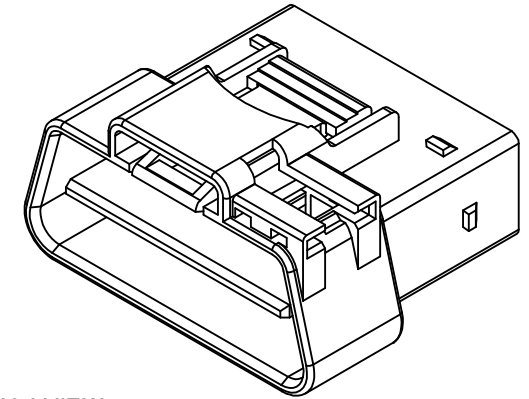
Email & Skype: info@chipsmall.com Web: www.chipsmall.com

Address: A1208, Overseas Decoration Building, #122 Zhenhua RD., Futian, Shenzhen, China

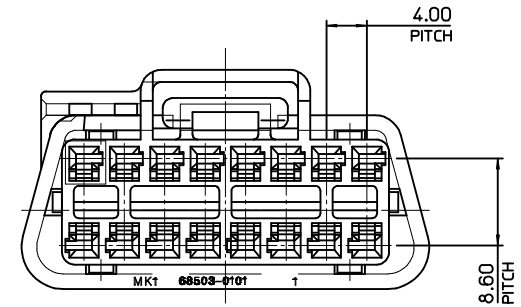
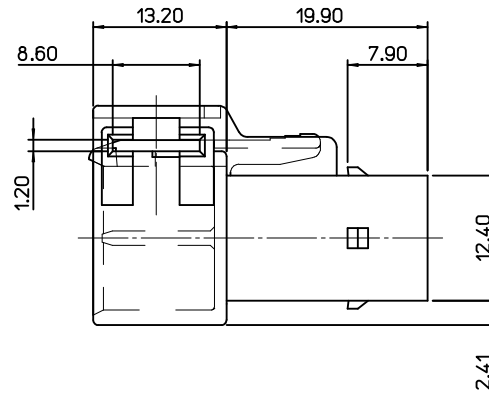
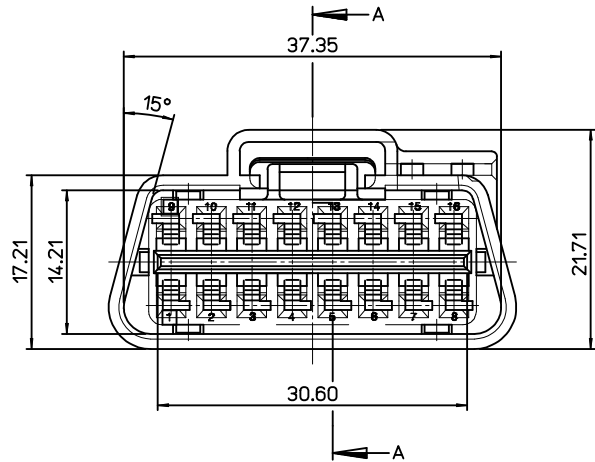




SECTION A-A



ISOVIEW



<TABLE 1>

685031602	68503-1602
MATERIAL NO.	ORDER NO.

NOTE

1. MATERIAL : POLYESTER(PBT),BLACK
2. MATES WITH : HSG,51115-1601/51116-1601
TERMINAL,57964-9702
3. USE WITH(OPTION) : WIRE DRESS COVER,68503-0101
CPA,68503-0103

REVISED EC NO: KOR2009-0034 DRW: EOKIM 2008/10/08 CHK: BGYOON 2008/10/14 APPR: YUNSIKKIM 2008/10/14	QUALITY SYMBOLS = 0 = 0	GENERAL TOLERANCES (UNLESS SPECIFIED)		DIMENSION STYLE MM ONLY		SCALE 2:1	DESIGN UNITS METRIC	THIRD ANGLE PROJECTION			
				DRAWN BY: HCRHO DATE: 2001/12/29	TITLE OBD MALE HOUSING 16P		MOLEX INCORPORATED				
				CHECKED BY: HCRHO DATE: 2001/12/29	APPROVED BY: CWLEE DATE: 2001/12/29		MATERIAL NO. SEE TABLE1		DOCUMENT NO. SD-68503-004		SHEET NO. 1 OF 1
				ANGULAR ± 1 °		DRAFT WHERE APPLICABLE MUST REMAIN WITHIN DIMENSIONS		THIS DRAWING CONTAINS INFORMATION THAT IS PROPRIETARY TO MOLEX INCORPORATED AND SHOULD NOT BE USED WITHOUT WRITTEN PERMISSION			