



Chipsmall Limited consists of a professional team with an average of over 10 year of expertise in the distribution of electronic components. Based in Hongkong, we have already established firm and mutual-benefit business relationships with customers from,Europe,America and south Asia,supplying obsolete and hard-to-find components to meet their specific needs.

With the principle of “Quality Parts,Customers Priority,Honest Operation,and Considerate Service”,our business mainly focus on the distribution of electronic components. Line cards we deal with include Microchip,ALPS,ROHM,Xilinx,Pulse,ON,Everlight and Freescale. Main products comprise IC,Modules,Potentiometer,IC Socket,Relay,Connector.Our parts cover such applications as commercial,industrial, and automotives areas.

We are looking forward to setting up business relationship with you and hope to provide you with the best service and solution. Let us make a better world for our industry!



Contact us

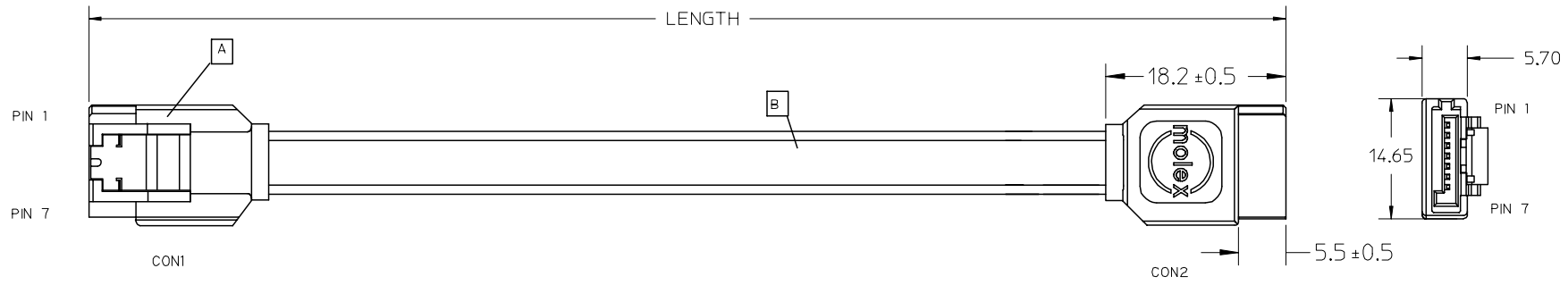
Tel: +86-755-8981 8866 Fax: +86-755-8427 6832

Email & Skype: info@chipsmall.com Web: www.chipsmall.com

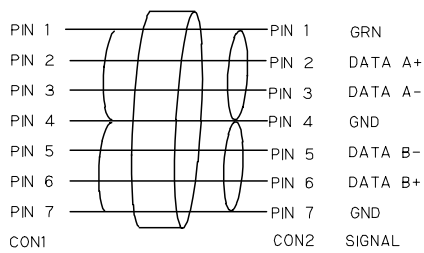
Address: A1208, Overseas Decoration Building, #122 Zhenhua RD., Futian, Shenzhen, China



7 6 5 4 3 2 1



WIRE CHART



- NOTE:
1. OUTER MOLD WITH BLACK PVC RESIN 887800042.
 2. DIELECTRONIC STRENGTH:500V/0.01S DC
 3. INSULATION RESISTANCE:100M OHMS MIN.
 4. CONDUCTIVE RESISTOR: 2 OHMS

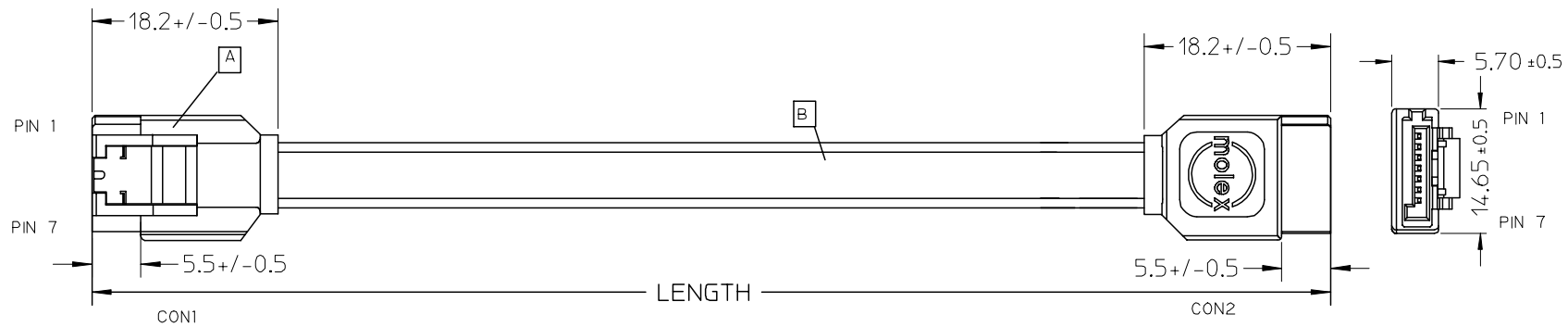
68561-0015	1000+/-20	40.0+/-0.8	S-ATA LATCHING ST TO ST CABLE,1.0M. RED
68561-0014	500+/-10	20.0+/-0.4	S-ATA LATCHING ST TO ST CABLE,0.5M. RED
MOLEX P/N	LENGTH (mm)	LENGTH (inch)	DESCRIPTION

B	S-ATA DATA CABLE RED 887808052	N/A	
A	S-ATA STRAIGHT RECEPTACLE WITH LATCH (Au 30u) 674899002		2
ITEM	DESCRIPTION	L(MM)	QTY.

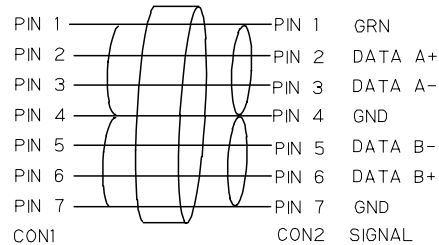
ENTER DESCRIPTION EC NO: DG2005-0009 DRWN:GX YANG 2004/08/11 CHKD: 2004/08/18 APPR:BOCHEN 2004/08/18 REV	QUALITY SYMBOLS ▽=0 ◻=0	GENERAL TOLERANCES (UNLESS SPECIFIED) <table border="1"> <tr> <td></td> <td>mm</td> <td>INCH</td> </tr> <tr> <td>4 PLACES</td> <td>±---</td> <td>±---</td> </tr> <tr> <td>3 PLACES</td> <td>±---</td> <td>±---</td> </tr> <tr> <td>2 PLACES</td> <td>±---</td> <td>±---</td> </tr> <tr> <td>1 PLACE</td> <td>±---</td> <td>±---</td> </tr> <tr> <td colspan="3">ANGULAR ±---°</td> </tr> </table>		mm	INCH	4 PLACES	±---	±---	3 PLACES	±---	±---	2 PLACES	±---	±---	1 PLACE	±---	±---	ANGULAR ±---°			DIMENSION STYLE MM ONLY DRAWN BY: GX YANG DATE: 04/08/10 CHECKED BY: TEDDY DATE: 04/08/10 APPROVED BY: BORON DATE: 04/08/10 MATERIAL NO.: 685610014/5	SCALE: --- DESIGN UNITS: METRIC THIRD ANGLE PROJECTION	TITLE: S-ATA ST LATCHING TO ST LATCHING SIGNAL CBL RED,0.5M,1.0M MOLEX INCORPORATED DOCUMENT NO.: SD-68561-001 SHEET NO.: 1 OF 1
		mm	INCH																				
	4 PLACES	±---	±---																				
	3 PLACES	±---	±---																				
2 PLACES	±---	±---																					
1 PLACE	±---	±---																					
ANGULAR ±---°																							
DRAFT WHERE APPLICABLE MUST REMAIN WITHIN DIMENSIONS		SIZE: A/4 THIS DRAWING CONTAINS INFORMATION THAT IS PROPRIETARY TO MOLEX INCORPORATED AND SHOULD NOT BE USED WITHOUT WRITTEN PERMISSION																					

6 5 4 3 2 1

7 6 5 4 3 2 1



WIRE CHART



- NOTE:
1. OUTER MOLD WITH BLACK PVC RESIN 887800042.
INNER MOLD WITH PE RESIN 887800008:
ELECTRICAL PERFORMANCE:
 2. DIELECTRONIC STRENGTH:500V/0.01S DC.
 3. INSULATION RESISTANCE:100M OHMS MIN.
 4. CONDUCTIVE RESISTOR: 2 OHMS.

68561-0015	1000+/-20	40.0+/-0.8	S-ATA LATCHING ST TO ST CABLE,1.0M, RED
68561-0014	500+/-10	20.0+/-0.4	S-ATA LATCHING ST TO ST CABLE,0.5M, RED
MOLEX P/N	LENGTH (mm)	LENGTH (inch)	DESCRIPTION

B	S-ATA DATA CABLE RED 887808052	
A	S-ATA STRAIGHT RECEPTACLE WITH LATCH (Au 30u) 674899002	2
ITEM	DESCRIPTION	QTY.

ENTER DESCRIPTION EC NO: DG2005-0125 DRWN: JLIU13 2005/04/04 CHKD: TEDDY 2005/04/04 APPR: TKAN 2005/04/04 DESCRIPTION REV	QUALITY SYMBOLS	GENERAL TOLERANCES (UNLESS SPECIFIED)		DIMENSION STYLE	SCALE	DESIGN UNITS	THIRD ANGLE PROJECTION	
	▼=0 □=0	mm	INCH	MM ONLY	---	METRIC		
		4 PLACES ± --- ± ---	3 PLACES ± --- ± ---	2 PLACES ± --- ± ---	1 PLACE ± --- ± ---	DRAWN BY: JLIU13 DATE: 2005/04/04 CHECKED BY: TEDDY DATE: 2005/04/04 APPROVED BY: BORON DATE: 2005/04/04 MATERIAL NO. 685610015 DOCUMENT NO. SD-68561-0015 SHEET NO. 1 OF 1		
		ANGULAR ± ---°		TITLE: S-ATA ST TO ST WITH LATCH RED CABLE ASSY MOLEX MOLEX INCORPORATED				
	DRAFT WHERE APPLICABLE MUST REMAIN WITHIN DIMENSIONS			THIS DRAWING CONTAINS INFORMATION THAT IS PROPRIETARY TO MOLEX INCORPORATED AND SHOULD NOT BE USED WITHOUT WRITTEN PERMISSION				

6 5 4 3 2 1