



Chipsmall Limited consists of a professional team with an average of over 10 year of expertise in the distribution of electronic components. Based in Hongkong, we have already established firm and mutual-benefit business relationships with customers from,Europe,America and south Asia,supplying obsolete and hard-to-find components to meet their specific needs.

With the principle of “Quality Parts,Customers Priority,Honest Operation,and Considerate Service”,our business mainly focus on the distribution of electronic components. Line cards we deal with include Microchip,ALPS,ROHM,Xilinx,Pulse,ON,Everlight and Freescale. Main products comprise IC,Modules,Potentiometer,IC Socket,Relay,Connector.Our parts cover such applications as commercial,industrial, and automotives areas.

We are looking forward to setting up business relationship with you and hope to provide you with the best service and solution. Let us make a better world for our industry!



Contact us

Tel: +86-755-8981 8866 Fax: +86-755-8427 6832

Email & Skype: info@chipsmall.com Web: www.chipsmall.com

Address: A1208, Overseas Decoration Building, #122 Zhenhua RD., Futian, Shenzhen, China



7 6 5 4 3 2 1

E

E

D

D

C

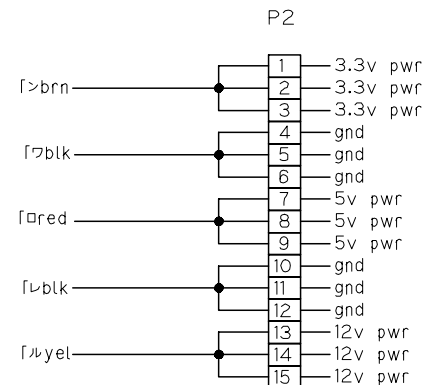
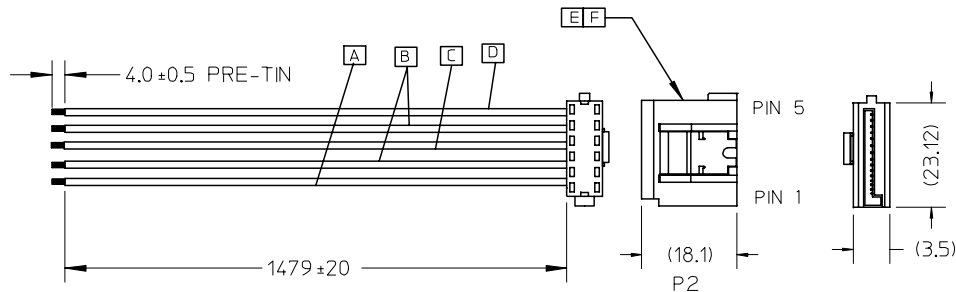
C

B

B

A

A



NOTE: 1. ELECTRIC PERFORMANCE:
 DIELECTRIC STRENGTH: 500 V DC.
 INSULATION RESISTANCE :100 MOHS MIN.
 CONDUCTIVE RESISTANCE :2 OHMS MAX.
 2. S-ATA HOUSING:
 PLOYESTER(PBT), UL94V-0(BLACK)

68561-0023	679260002	30u' Gold - plated terminal
68561-0022	679260001	Gold flash terminal
MATERIAL NO	S-ATA CONN.	DESCRIPTION

F	COVER 679260040	1	
E	S-ATA CONN. : SEE TABLE	1	
D	UL1007 #18 BRN 887711305	1	1485
C	UL1007 #18 RED 887711301	1	1485
B	UL1007 #18 BLK 887711300	2	2970
A	UL1007 #18 YEL 887711303	1	1485
ITEM	DESCRIPTION	QTY	L(mm)

ENTER DESCRIPTION EC NO: DG2005-0009 DRWN:GX YANG CHKD: APPR:BOCHEN 2004/08/11 2004/08/18 2004/08/18	QUALITY SYMBOLS ▽=0 ◻=0	GENERAL TOLERANCES (UNLESS SPECIFIED)		DIMENSION STYLE MM ONLY		SCALE ---	DESIGN UNITS METRIC	THIRD ANGLE PROJECTION		
			mm	INCH	DRAWN BY	DATE	TITLE			
		4 PLACES	±---	±---	GX YANG	04/08/10	S-ATA IDT POWER LATCHING TO PIGTAIL CABLE ASS'Y 1.5M (3.3V+5V+12V)			
		3 PLACES	±---	±---	CHECKED BY	DATE	MOLEX INCORPORATED			
2 PLACES	±---	±---	TEDDY	04/08/10	MATERIAL NO. 685610022/3					
1 PLACE	±---	±---	APPROVED BY	DATE	DOCUMENT NO. SD-68561-005		SHEET NO. 1 OF 1			
		ANGULAR ±---°	BORON	04/08/10	THIS DRAWING CONTAINS INFORMATION THAT IS PROPRIETARY TO MOLEX INCORPORATED AND SHOULD NOT BE USED WITHOUT WRITTEN PERMISSION					
DRAFT WHERE APPLICABLE MUST REMAIN WITHIN DIMENSIONS										

tb_frame_A4_P_ME_T
 Rev. D 2004/04/02

6

5

4

3

2

1