



Chipsmall Limited consists of a professional team with an average of over 10 year of expertise in the distribution of electronic components. Based in Hongkong, we have already established firm and mutual-benefit business relationships with customers from,Europe,America and south Asia,supplying obsolete and hard-to-find components to meet their specific needs.

With the principle of "Quality Parts,Customers Priority,Honest Operation,and Considerate Service",our business mainly focus on the distribution of electronic components. Line cards we deal with include Microchip,ALPS,ROHM,Xilinx,Pulse,ON,Everlight and Freescale. Main products comprise IC,Modules,Potentiometer,IC Socket,Relay,Connector.Our parts cover such applications as commercial,industrial, and automotives areas.

We are looking forward to setting up business relationship with you and hope to provide you with the best service and solution. Let us make a better world for our industry!



## Contact us

Tel: +86-755-8981 8866 Fax: +86-755-8427 6832

Email & Skype: info@chipsmall.com Web: www.chipsmall.com

Address: A1208, Overseas Decoration Building, #122 Zhenhua RD., Futian, Shenzhen, China



7 6 5 4 3 2 1

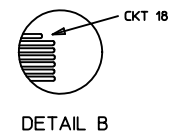
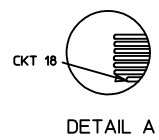
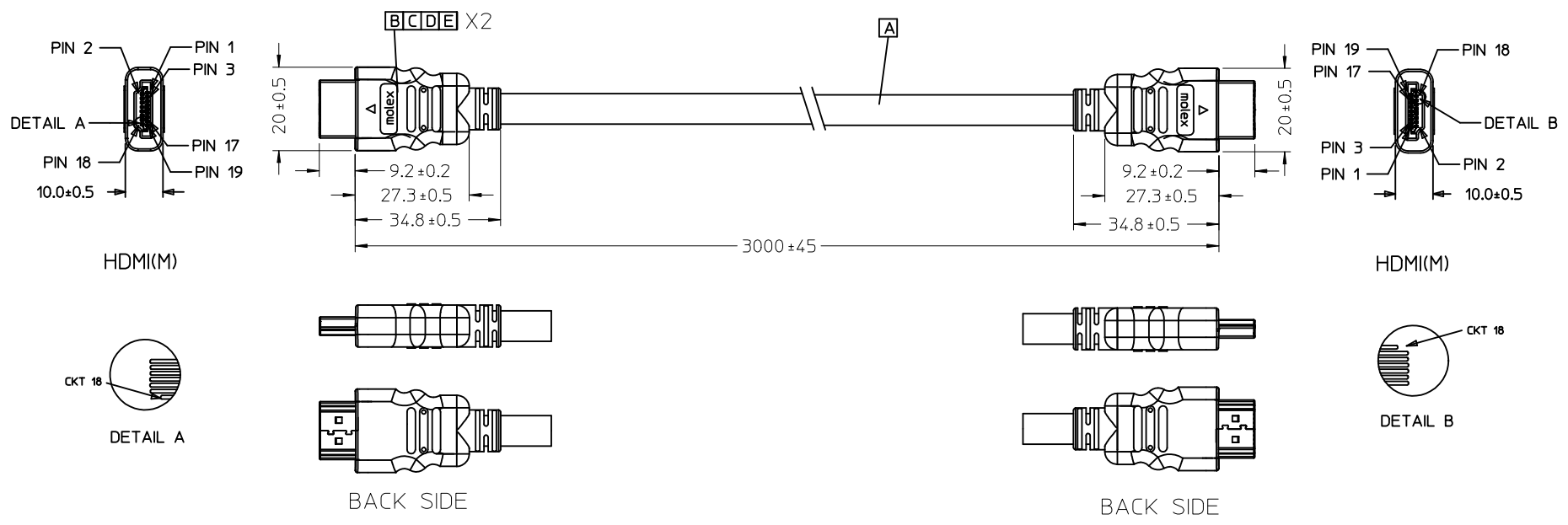
E

D

C

B

A



|  |                                |   |         |   |                    |   |                               |                        |
|--|--------------------------------|---|---------|---|--------------------|---|-------------------------------|------------------------|
| <b>ENTER DESCRIPTION</b><br>EC NO: DG2011-0440<br>DRWN:FZHANG01<br>CHKD:JLU13<br>APPR:ZXDENG<br>2011/05/04<br>2011/05/04<br>2011/05/11 | QUALITY SYMBOLS<br>▽=0<br>▽C=0 | GENERAL TOLERANCES (UNLESS SPECIFIED)   |         | DIMENSION STYLE<br>MM ONLY  |                    | SCALE<br>---                            | DESIGN UNITS<br>METRIC        | THIRD ANGLE PROJECTION |
|  |                                | 4 PLACES ± --- ± ---<br>3 PLACES ± --- ± ---<br>2 PLACES ± --- ± ---<br>1 PLACE ± --- ± --- | mm INCH | DRAWN BY<br>FZHANG01  | DATE<br>2011/04/29 | TITLE<br>HDMI(M) TO HDMI(M) CABLE ASS'Y |                               |                        |
|  |                                | DRAFT WHERE APPLICABLE MUST REMAIN WITHIN DIMENSIONS  |         | CHECKED BY<br>JFZHENG   | DATE<br>2011/04/29 | MOLEX INCORPORATED                      |                               |                        |
|  |                                |   |         | APPROVED BY<br>ZXDENG   | DATE<br>2011/05/11 | MATERIAL NO.<br>687670021               | DOCUMENT NO.<br>SD-68767-0021 | SHEET NO.<br>1 OF 2    |
|  |                                |   |         | THIS DRAWING CONTAINS INFORMATION THAT IS PROPRIETARY TO MOLEX INCORPORATED AND SHOULD NOT BE USED WITHOUT WRITTEN PERMISSION |                    |   |                               |                        |

6 5 4 3 2 1

7

6

5

4

3

2

1

## WIRE DIAGRAM:

| SHIELD | SHIELD | OVERALL SHIELD | GROUND             |
|--------|--------|----------------|--------------------|
| PIN 19 | PIN 19 | PINK           | HOT PLUG DETECT    |
| PIN 18 | PIN 18 | ORANGE         | +5V POWER          |
| PIN 17 | PIN 17 | YELLOW         | DDC/CEC GROUND     |
| PIN 16 | PIN 16 | WHITE          | SDA                |
| PIN 15 | PIN 15 | RED            | SCL                |
| PIN 14 | PIN 14 | VIOLET         | RESERVED           |
| PIN 13 | PIN 13 | GRAY           | CEC                |
| PIN 12 | PIN 12 | WHITE          | TMDS CLOCK-        |
| PIN 11 | PIN 11 | BRAID          | TMDS CLOCK SHIELD  |
| PIN 10 | PIN 10 | BLACK          | TMDS CLOCK+        |
| PIN 9  | PIN 9  | WHITE          | TMDS DATA 0-       |
| PIN 8  | PIN 8  | BRAID          | TMDS DATA 0 SHIELD |
| PIN 7  | PIN 7  | BLUE           | TMDS DATA 0+       |
| PIN 6  | PIN 6  | WHITE          | TMDS DATA 1-       |
| PIN 5  | PIN 5  | BRAID          | TMDS DATA 1 SHIELD |
| PIN 4  | PIN 4  | GREEN          | TMDS DATA 1+       |
| PIN 3  | PIN 3  | WHITE          | TMDS DATA 2-       |
| PIN 2  | PIN 2  | BRAID          | TMDS DATA 2 SHIELD |
| PIN 1  | PIN 1  | RED            | TMDS DATA 2+       |
| HDMI   | HDMI   | COLOR          | CABLE FUNCTION     |

## NOTE:

- OVERMOLD SPECIFICATION:
  - HDMI INNERMOLD WITH BK PVC
  - HDMI OVERMOLD WITH PVC
  - HDMI DUST COVER WITH PE
- PRODUCT ELECTRICAL SPECIFICATION:  
REFER TO HDMI SPECIFICATION FOR DETAILS.
- THIS PRODUCT MUST MEET ROHS COMPLIANCE.

|      |   |           |      |
|------|---|-----------|------|
| E    | PRE-CUT C.Foil 47X23mm T=25U              |           | 2    |
| D    | COPPER FOLIL                              |           | 2    |
| C    | HDMI 19P MALE,30U"Au Solder Type          |           | 2    |
| B    | Metal Shell For HDMI 19P Male,Gold flash  |           | 2    |
| A    | (4P+1P)X28+5CX28,ALSH,PVC,BK,7.3;JUL20276 | 3000 ref. | 1    |
| ITEM | DESCRIPTION                               | LENGTH    | QTY. |

|  |                               |                                       |      |  |   |                        |  |                               |                     |
|--|-------------------------------|---------------------------------------|------|--|---|------------------------|--|-------------------------------|---------------------|
| ENTER DESCRIPTION<br>EC NO: DG2011-0440<br>DRWN:FZHANG01<br>CHKD:JLIU13<br>APPR:ZXDENG | QUALITY SYMBOLS<br>▽=0<br>▽=0 | GENERAL TOLERANCES (UNLESS SPECIFIED) |      | DIMENSION STYLE<br>MM ONLY                                 | SCALE<br>---  | DESIGN UNITS<br>METRIC | THIRD ANGLE PROJECTION                     |                               |                     |
|  |                               |                                       | mm   | INCH   | DRAWN BY<br>FZHANG01  | DATE<br>2011/04/29     | TITLE<br>HDMI(M) TO HDMI(M)<br>CABLE ASS'Y |                               |                     |
|  |                               | 4 PLACES                              | ±--- | ±---   | CHECKED BY<br>JFZHENG   | DATE<br>2011/04/29     |  |                               |                     |
|  |                               | 3 PLACES                              | ±--- | ±---   | APPROVED BY<br>ZXDENG   | DATE<br>2011/05/11     |  |                               |                     |
|  |                               | 2 PLACES                              | ±--- | ±---   | MATERIAL NO.<br>687670021   |                        |  | DOCUMENT NO.<br>SD-68767-0021 | SHEET NO.<br>2 OF 2 |
|  |                               | 1 PLACE                               | ±--- | ±---   | THIS DRAWING CONTAINS INFORMATION THAT IS PROPRIETARY TO MOLEX INCORPORATED AND SHOULD NOT BE USED WITHOUT WRITTEN PERMISSION |                        |  |                               |                     |
|  |                               | ANGULAR ±---°                         |      | DRAFT WHERE APPLICABLE<br>MUST REMAIN<br>WITHIN DIMENSIONS |   |                        |  |                               |                     |
| A  | REV                           |                                       |      |  |   |                        |  |                               |                     |

6

5

4

3

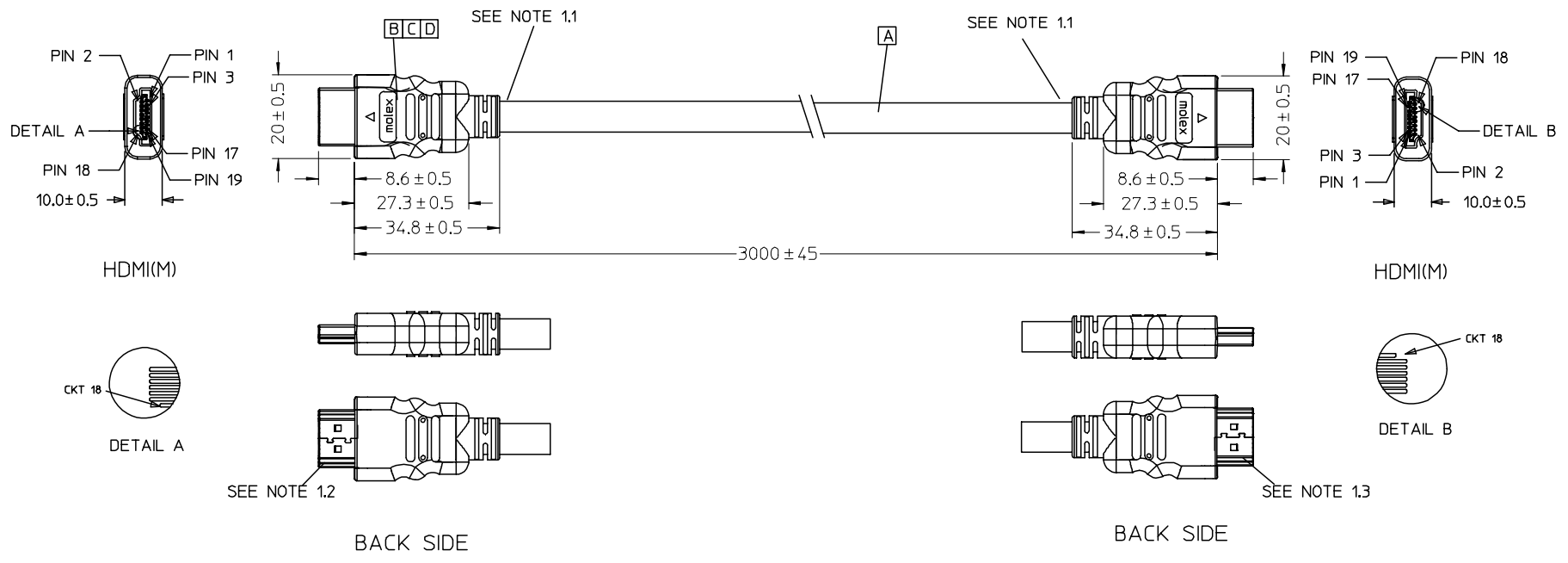
2

1

7 6 5 4 3 2 1

E  
D  
C  
B  
A

E  
D  
C  
B  
A



|  |  |                  |   |  |   |   |                     |                        |
|--|--|------------------|---|--|---|---|---------------------|------------------------|
| Released<br>EC NO: DG2007-0027<br>DRWN: JFZHENG<br>CHKD: JFZHENG<br>APPR: DQ LUO | 2006/09/02<br>2006/09/04<br>2006/09/04 | DESCRIPTION<br>1 | QUALITY SYMBOLS   | GENERAL TOLERANCES (UNLESS SPECIFIED)                | DIMENSION STYLE                                 | SCALE   | DESIGN UNITS        | THIRD ANGLE PROJECTION |
|  |  |                  | ▽=0<br>□=0  | mm      INCH   | MM ONLY   | ---   | METRIC              |                        |
|  |  |                  | 4 PLACES ± --- ± ---<br>3 PLACES ± --- ± ---<br>2 PLACES ± --- ± ---<br>1 PLACE ± --- ± --- | DRAWN BY      DATE<br>JFZHENG      2006/08/26        | TITLE   |   |                     |                        |
|  |  |                  | ANGULAR ± ---°  | CHECKED BY      DATE<br>JF ZHNENG      2006/08/26    | HDMI(M) TO HDMI(M)<br>GOLD 3M CABLE, 28#AWG     |   |                     |                        |
|  |  |                  |   | DRAFT WHERE APPLICABLE MUST REMAIN WITHIN DIMENSIONS | APPROVED BY      DATE<br>DQ LUO      2006/08/26 | MOLEX INCORPORATED  |                     |                        |
|  |  |                  |   |  | MATERIAL NO.<br>687670021                       | DOCUMENT NO.<br>SD-68767-021  | SHEET NO.<br>1 OF 2 |                        |
|  |  |                  |   |  | SIZE<br>A4                                      | THIS DRAWING CONTAINS INFORMATION THAT IS PROPRIETARY TO MOLEX INCORPORATED AND SHOULD NOT BE USED WITHOUT WRITTEN PERMISSION |                     |                        |

WIRE DIAGRAM:

| SHIELD | SHIELD | OVERALL SHIELD | GROUND             |
|--------|--------|----------------|--------------------|
| PIN 19 | PIN 19 | PINK           | HOT PLUG DETECT    |
| PIN 18 | PIN 18 | ORANGE         | +5V POWER          |
| PIN 17 | PIN 17 | YELLOW         | DDC/CEC GROUND     |
| PIN 16 | PIN 16 | WHITE          | SDA                |
| PIN 15 | PIN 15 | RED            | SCL                |
| PIN 14 | PIN 14 | VIOLET         | RESERVED           |
| PIN 13 | PIN 13 | GRAY           | CEC                |
| PIN 12 | PIN 12 | WHITE          | TMDS CLOCK-        |
| PIN 11 | PIN 11 | BRAID          | TMDS CLOCK SHIELD  |
| PIN 10 | PIN 10 | WHITE/BLACK    | TMDS CLOCK+        |
| PIN 9  | PIN 9  | WHITE          | TMDS DATA 0-       |
| PIN 8  | PIN 8  | BRAID          | TMDS DATA 0 SHIELD |
| PIN 7  | PIN 7  | WHITE/BLUE     | TMDS DATA 0+       |
| PIN 6  | PIN 6  | WHITE          | TMDS DATA 1-       |
| PIN 5  | PIN 5  | BRAID          | TMDS DATA 1 SHIELD |
| PIN 4  | PIN 4  | WHITE/GREEN    | TMDS DATA 1+       |
| PIN 3  | PIN 3  | WHITE          | TMDS DATA 2-       |
| PIN 2  | PIN 2  | BRAID          | TMDS DATA 2 SHIELD |
| PIN 1  | PIN 1  | WHITE/RED      | TMDS DATA 2+       |
| HDMI   | HDMI   | COLOR          | CABLE FUNCTION     |

NOTE:


- OVEMROLD SPECIFICATION:
  - HDMI INNERMOLD WITH BK PVC 887800019.
  - HDMI OVERMOLD WITH PVC 887800150.
  - HDMI DUST COVER WITH PE 887800008.
- MECHANICAL SPECIFICATION:
 

CABLE SHOULD STAND THE PULL FORCE 89-111N FOR 30 SECONDS WITH NO VISIBLE TERMINATION DAMAGE.
- PRODUCT ELECTRICAL SPECIFICATION:
  - DIELECTRIC STRENGTH.
  - INSULATION RESISTANCE.
  - CONDUCTIVE RESISTANCE.
  - TMDS Signals Time Domain Impedence
  - TMDS Signals Time Domain Crosstalk:FEXT
  - TMDS Signals Skew
  - Attenuation

REFER TO ES-002 ELECTRICAL SPECIFICATION FOR DETAILS.
- CABLE CONSTRUCTION:
 

(4P+1P+5)\*28AWG;SHLD;PVC;BK;7.30MM;HDMI
- THIS PRODUCT MUST MEET ROHS COMPLIANCE.

| D    | HDMI METAL PLATE 47152-6009          |           | 2    |
|------|--------------------------------------|-----------|------|
| C    | HDMI METAL CAN GOLD FLASH 47152-4002 |           | 2    |
| B    | HDMI HOUSING ASSY BLACK 47152-1000   |           | 2    |
| A    | HDMI SINGLE LINK CABLE 172000455     | 3000 ref. | 1    |
| ITEM | DESCRIPTION                          | LENGTH    | QTY. |

|  |  |                                       |  |                            |  |                              |  |                        |  |  |
|--|--|---------------------------------------|--|----------------------------|--|------------------------------|--|------------------------|--|--|
| Released<br>EC NO: DG2007-0027<br>DRWN: JFZHENG 2006/09/02<br>CHKD: JFZHENG 2006/09/04<br>APPR: DDLUO 2006/09/04 | DESCRIPTION<br>QUALITY SYMBOLS<br>▽=0<br>▽=0 | GENERAL TOLERANCES (UNLESS SPECIFIED) |  | DIMENSION STYLE<br>MM ONLY |  | SCALE<br>---                 | DESIGN UNITS<br>METRIC   | THIRD ANGLE PROJECTION |  |  |
|  |  |                                       | mm   | INCH                       | DRAWN BY<br>JFZHENG  | DATE<br>2006/08/26           | TITLE<br>HDMI(M) TO HDMI(M)<br>GOLD 3M CABLE,28#AWG  |                        |  |  |
|  |  | 4 PLACES                              | ±---   | ±---                       | CHECKED BY<br>JF ZHNENG  | DATE<br>2006/08/26           |  MOLEX INCORPORATED |                        |  |  |
|  |  | 3 PLACES                              | ±---   | ±---                       | APPROVED BY<br>DQ LUO  | DATE<br>2006/08/26           |  |                        |  |  |
| 2 PLACES   | ±---   | ±---                                  | ANGULAR ±---°  |                            | MATERIAL NO.<br>687670021  | DOCUMENT NO.<br>SD-68767-021 | SHEET NO.<br>2 OF 2  |                        |  |  |
| 1 PLACE  | ±---   | ±---                                  | DRAFT WHERE APPLICABLE<br>MUST REMAIN<br>WITHIN DIMENSIONS |                            | THIS DRAWING CONTAINS INFORMATION THAT IS PROPRIETARY TO MOLEX<br>INCORPORATED AND SHOULD NOT BE USED WITHOUT WRITTEN PERMISSION |                              |  |                        |  |  |