



Chipsmall Limited consists of a professional team with an average of over 10 year of expertise in the distribution of electronic components. Based in Hongkong, we have already established firm and mutual-benefit business relationships with customers from,Europe,America and south Asia,supplying obsolete and hard-to-find components to meet their specific needs.

With the principle of “Quality Parts,Customers Priority,Honest Operation,and Considerate Service”,our business mainly focus on the distribution of electronic components. Line cards we deal with include Microchip,ALPS,ROHM,Xilinx,Pulse,ON,Everlight and Freescale. Main products comprise IC,Modules,Potentiometer,IC Socket,Relay,Connector.Our parts cover such applications as commercial,industrial, and automotives areas.

We are looking forward to setting up business relationship with you and hope to provide you with the best service and solution. Let us make a better world for our industry!



## Contact us

Tel: +86-755-8981 8866 Fax: +86-755-8427 6832

Email & Skype: info@chipsmall.com Web: www.chipsmall.com

Address: A1208, Overseas Decoration Building, #122 Zhenhua RD., Futian, Shenzhen, China



REVISIONS				
ECN NO	REVISION	DATE	DESCRIPTION	CHANGER
CY10-5701	B	OCT 12,09	UPDATE BOM	JOE XIE

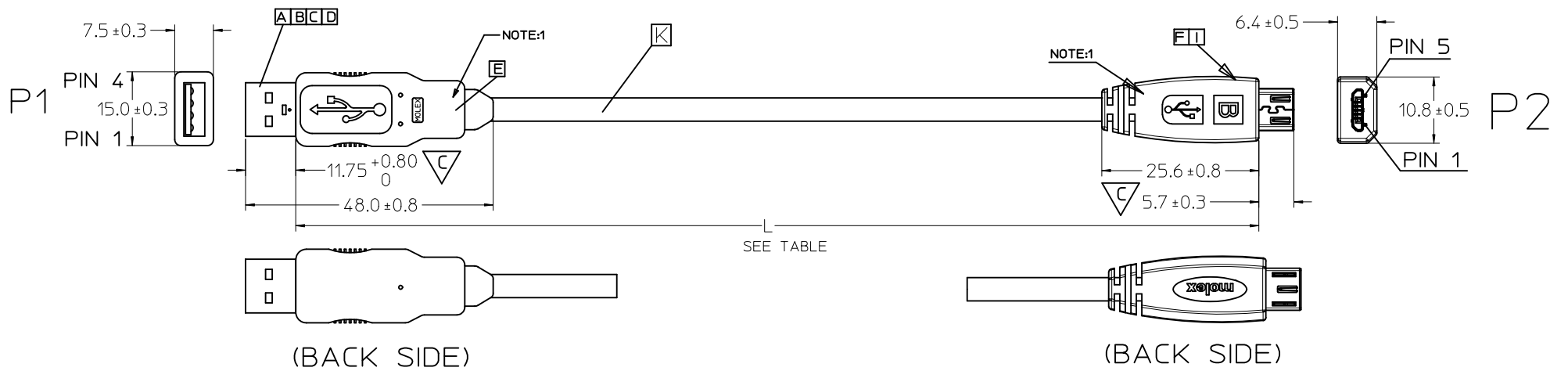


TABLE:

ITEM	MATERIAL NO.	DESCRIPTION	L
1	687840001	USB A TO MICRO B CABLE ASSY	1000±20
2	687840002	USB A TO MICRO B CABLE ASSY	1500±30
3	687840003	USB A TO MICRO B CABLE ASSY	2000±40

NOTE:

- OVERMOLD SPECIFICATION:  
OUTER MOLDER WITH PVC RESIN  
INNER MOLDER WITH PE RESIN
- THIS PRODUCT ELECTRICAL PERFORMANCE MUST MEET 2.0 COMPLIANCE.
- THIS PRODUCT MUST MEET ROHS COMPLIANCE.

SHELL	BRAID WIRE	SHELL	ITEM	DESCRIPTION	L(REF)	QTY.
4	28AWG BLACK	5	K	USB2.0 1P*28AWG+2C*28AWG		
3	28AWG GREEN	3	I	COPPER FOIL		1
2	28AWG WHITE	2	F	MICRO USB PLUG B		1
1	28AWG RED	1	E	COPPER FOIL		1
P1	Wire Color	P2	D	TERMINAL (AWG26/28)		4
	PIN ASSIGNMENTS		C	REAR SHELL		1
			B	FRONT SHELL		1
			A	CRIMP HOUSING		1

<b>ENTER DESCRIPTION</b> EC NO: DG2011-0455 DRW: JZHANG01 2011/05/27 CHK: CHRIS 2011/05/27 APPR: ZXDENG 2011/05/27	<b>QUALITY SYMBOLS</b> ▽=0 ▽=2	<b>GENERAL TOLERANCES (UNLESS SPECIFIED)</b> <table border="1"> <thead> <tr> <th></th> <th>mm</th> <th>INCH</th> </tr> </thead> <tbody> <tr> <td>4 PLACES</td> <td>±---</td> <td>±---</td> </tr> <tr> <td>3 PLACES</td> <td>±---</td> <td>±---</td> </tr> <tr> <td>2 PLACES</td> <td>±---</td> <td>±---</td> </tr> <tr> <td>1 PLACE</td> <td>±---</td> <td>±---</td> </tr> </tbody> </table> ANGULAR ±---°		mm	INCH	4 PLACES	±---	±---	3 PLACES	±---	±---	2 PLACES	±---	±---	1 PLACE	±---	±---	<b>DIMENSION STYLE</b> MM ONLY	<b>SCALE</b> ---	<b>DESIGN UNITS</b> METRIC	<b>THIRD ANGLE PROJECTION</b>
		mm	INCH																		
	4 PLACES	±---	±---																		
	3 PLACES	±---	±---																		
2 PLACES	±---	±---																			
1 PLACE	±---	±---																			
<b>APPROVED BY</b> ZXDENG 2011/05/27	<b>DRAFT WHERE APPLICABLE MUST REMAIN WITHIN DIMENSIONS</b>	<b>DRAWN BY</b> JTHUANG 08-09-30	<b>DATE</b> 08-09-30	<b>CHECKED BY</b> BENTZ, LIU 08-09-30	<b>DATE</b> 08-09-30	<b>TITLE</b> USB A PLUG TO MICRO B PLUG CABLE ASSY															
<b>MATERIAL NO.</b> SEE TABLE	<b>SIZE</b> A 2	<b>APPROVED BY</b> ZXDENG 2011/05/27	<b>DATE</b> 2011/05/27	<b>APPROVED BY</b> ZXDENG 2011/05/27	<b>DATE</b> 2011/05/27	<b>MOLEX INCORPORATED</b>															
<b>REVISION</b> B	<b>DESCRIPTION</b> REV	<b>DRAFT WHERE APPLICABLE MUST REMAIN WITHIN DIMENSIONS</b>	<b>SIZE</b> A 2	<b>MATERIAL NO.</b> SEE TABLE	<b>DATE</b> 2011/05/27	<b>MOLEX INCORPORATED</b> SD-68784-001															