



Chipsmall Limited consists of a professional team with an average of over 10 year of expertise in the distribution of electronic components. Based in Hongkong, we have already established firm and mutual-benefit business relationships with customers from,Europe,America and south Asia,supplying obsolete and hard-to-find components to meet their specific needs.

With the principle of “Quality Parts,Customers Priority,Honest Operation,and Considerate Service”,our business mainly focus on the distribution of electronic components. Line cards we deal with include Microchip,ALPS,ROHM,Xilinx,Pulse,ON,Everlight and Freescale. Main products comprise IC,Modules,Potentiometer,IC Socket,Relay,Connector.Our parts cover such applications as commercial,industrial, and automotives areas.

We are looking forward to setting up business relationship with you and hope to provide you with the best service and solution. Let us make a better world for our industry!



Contact us

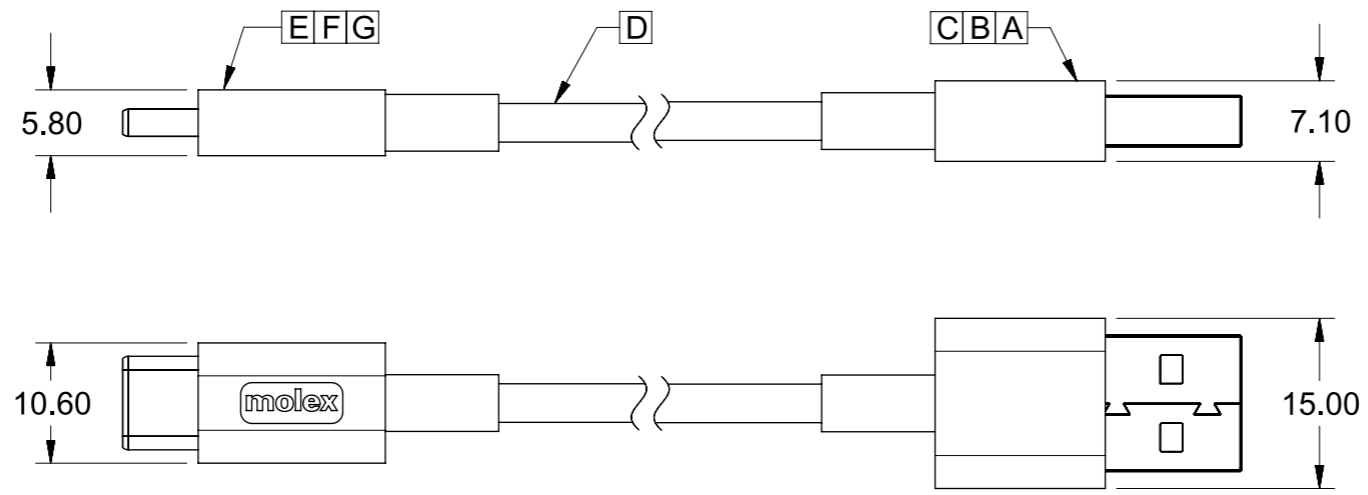
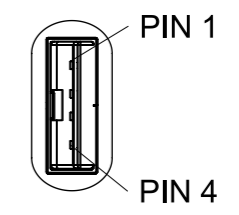
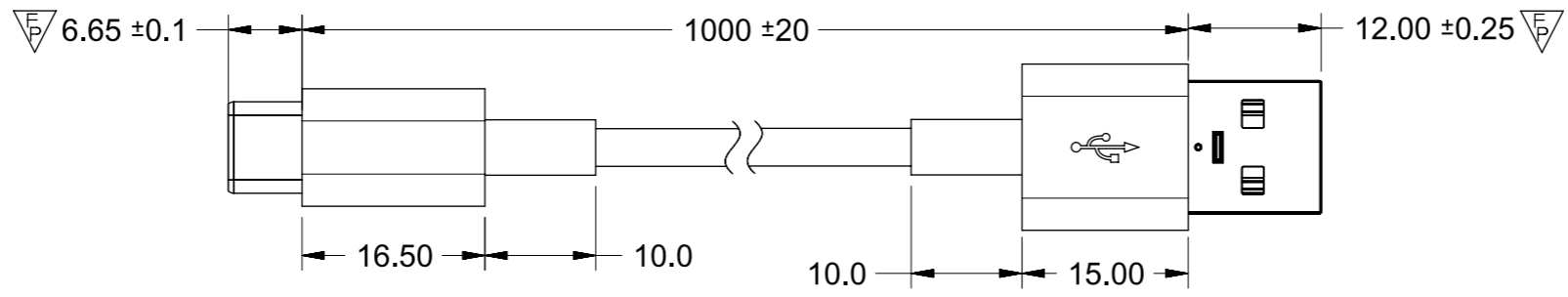
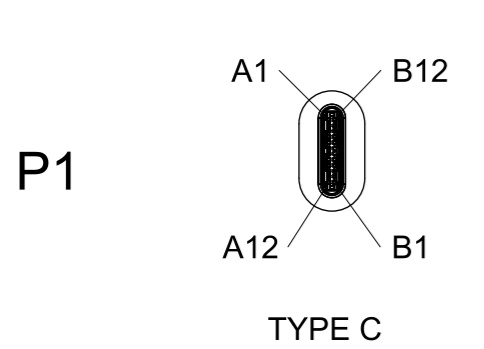
Tel: +86-755-8981 8866 Fax: +86-755-8427 6832

Email & Skype: info@chipsmall.com Web: www.chipsmall.com

Address: A1208, Overseas Decoration Building, #122 Zhenhua RD., Futian, Shenzhen, China



REVISIONS				
EC NO	DATE	REV	DESCRIPTION	CHANGER
NA	2017/12/20	A	INITIAL RELEASE	LUCY
CY18-5434	2018/4/17	B	CHANGE WIRE CHART	LUCY
CY18-5925	2017/07/25	C	CHANGE TYPE C PLUG AND RESIN	LUCY



PIN ASSIGNMENTS				
Type C	SIGNAL NAME	WIRE COLOR	USB 2.0	SIGNAL NAME
A1,B1,A12,B12	GND	DRAIN	4	GND
A4,B4,A9,B9	VBUS	RED	1	VBUS
A5	CC	-	-	-
B5	VCONN	-	-	-
A6	Dp1	GREEN	3	D+
A7	Dn1	WHITE	2	D-
SHELL	SHIELD	BRAID	SHELL	SHIELD

56Kohm Rp

G	Right metal shell	1
F	Left metal shell	1
E	Type C plug Au 30u" 22pin+PCBA 2.0	1
D	1Px30AWG+1Cx24AWG,shielded,TPE,White,OD3.40mm,UL21104 (C-A USB2.0 3A 1M)	AR
C	USB2.0, plug, A type,front shell	1
B	USB2.0, plug, A type,back shell	1
A	USB2.0, plug, A type plating 30u"	1
ITEM	DESCRIPTION	QTY.

SYMBOLS DIMENSION UNITS: mm SCALE: 1.5:1 GENERAL TOLERANCES (UNLESS SPECIFIED): ANGULAR TOL ± 3.0° 4 PLACES ± 3 PLACES ± 2 PLACES ± 0.25 1 PLACE ± 0.5 0 PLACES ± DRAFT WHERE APPLICABLE MUST REMAIN WITHIN DIMENSIONS THIRD ANGLE PROJECTION	CURRENT REV DESC: EC NO: 601987 DRWN: ZZXIAN 2018/07/25 CHK'D: LLI205 2018/07/26 APPR: LHUIU 2018/07/27 INITIAL REVISION: DRWN: XJGUO01 2016/08/18 APPR: FNIE 2017/12/25		 USB 2.0 TYPE C TO A WHITE CABLE, L=1M,3A		
	PRODUCT CUSTOMER DRAWING DOCUMENT NUMBER: 2012410147 DOC TYPE: PSD DOC PART: 000 REVISION: C				
MATERIAL NUMBER: 687980009 CUSTOMER: GENERAL MARKET SHEET NUMBER: 1 OF 2		A3-SIZE SERIES: 201241			

6

5

4

3

2

1

NOTE:

1. OVERMOLDING SPECIFICATION:

- 1.1 INNER MOLDING: PE RESIN FOR P1 END
- 1.2 INNER MOLDING: PE RESIN FOR P2 END
- 1.3 SR MOLDING: TPE WHITE RESIN
- 1.4 OUTER MOLDING: TPE WHITE RESIN

2. APPLICATION CONDITION

- 2.1 WORKING TEMPERATURE: -10°--- +50°
- 2.2 STORAGE TEMPERATURE: -20°--- +60°

3. MECHANICAL PERFORMACNE

3.1. 3.1. BENDING TEST:200G, +/-90°, 12~14CYCLES/MINUTES, R=25.4MM,
HORIZONTAL FOR 500 CYCLES AND VERTICAL FOR 500 CYCLES, NO LESS THAN
1000 times/cycles*3 CYCLES=3000 TIMES

3.2. CABLE SHOULD WITHSTAND A PULL FORCE 40N FOR ONE
MINUTE WITHOUT VISIBLE TERMINATION DAMAGE.PER EIA 364-38 METHOD A

4. ELECTRICAL PERFORMACNE

- 4.1 100% OPEN AND SHORT TEST
- 4.2 HIGH FREQUENCY ELECTRICAL PERFORMANCE MEET USB TYPE-C LEGACY CABLE, C - PLUG A, USB 2.0 REQUIREMENT
- 4.3 CURRENT RATING:3A, VOLTAGE DROP SHALL BE 250mV FOR GND AND 500mV FOR VBUS.

5. THIS PRODUCT MUST MEET EU RoHS

C

D

D

C

C

B

B

A

A

SYMBOLS										THIS DRAWING CONTAINS INFORMATION THAT IS PROPRIETARY TO MOLEX ELECTRONIC TECHNOLOGIES, LLC AND SHOULD NOT BE USED WITHOUT WRITTEN PERMISSION														
DIMENSION UNITS					SCALE					CURRENT REV DESC:														
mm					1:1					<p>molex</p> <p>USB 2.0 TYPE C TO A WHITE CABLE, L=1M,3A</p> <p>PRODUCT CUSTOMER DRAWING</p> <p>DOCUMENT NUMBER: 2012410147 DOC TYPE: PSD DOC PART: 000 REVISION: C</p> <p>MATERIAL NUMBER: 687980009 CUSTOMER: GENERAL MARKET SHEET NUMBER: 2 OF 2</p>														
GENERAL TOLERANCES (UNLESS SPECIFIED)																								
ANGULAR TOL ± 3.0°					EC NO: 601987																			
4 PLACES ±					DRWN: ZZXIAN 2018/07/25																			
3 PLACES ±					CHK'D: LL1205 2018/07/26																			
2 PLACES ± 0.25					APPR: LHLIU 2018/07/27																			
1 PLACE ± 0.5					INITIAL REVISION:																			
0 PLACES ±					DRWN: XJGUO01 2016/08/18																			
DRAFT WHERE APPLICABLE MUST REMAIN WITHIN DIMENSIONS					THIRD ANGLE PROJECTION															SERIES: 201241				
▽ = 0					A4-SIZE																			

DOCUMENT STATUS	P1	RELEASE DATE	2018/07/27	01:17:50
-----------------	----	--------------	------------	----------

6

5

4

3

2

1

FORMAT: master-ds-prod-A4
REVISION: H
DATE: 2018/01/18