



Chipsmall Limited consists of a professional team with an average of over 10 year of expertise in the distribution of electronic components. Based in Hongkong, we have already established firm and mutual-benefit business relationships with customers from,Europe,America and south Asia,supplying obsolete and hard-to-find components to meet their specific needs.

With the principle of "Quality Parts,Customers Priority,Honest Operation,and Considerate Service",our business mainly focus on the distribution of electronic components. Line cards we deal with include Microchip,ALPS,ROHM,Xilinx,Pulse,ON,Everlight and Freescale. Main products comprise IC,Modules,Potentiometer,IC Socket,Relay,Connector.Our parts cover such applications as commercial,industrial, and automotives areas.

We are looking forward to setting up business relationship with you and hope to provide you with the best service and solution. Let us make a better world for our industry!



Contact us

Tel: +86-755-8981 8866 Fax: +86-755-8427 6832

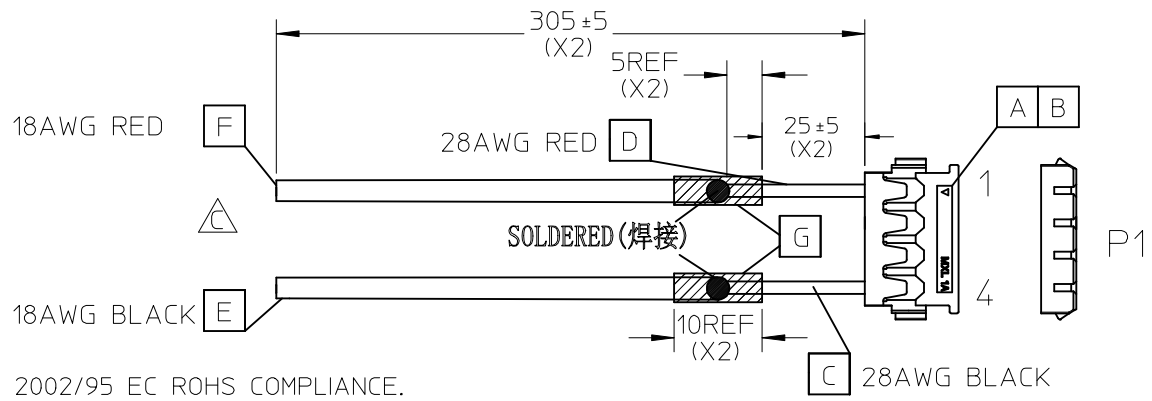
Email & Skype: info@chipsmall.com Web: www.chipsmall.com

Address: A1208, Overseas Decoration Building, #122 Zhenhua RD., Futian, Shenzhen, China



7 6 5 4 3 2 1

REVISIONS				
EC NO	DATE	REV	DESCRIPTION	CHANGER
CY13-5883	13.01.11	B	CHG. TITLE	JORRY
CY13-5950	13.01.25	C	CANCEL TINNED	JORRY



NOTES

- THIS PRODUCT MUST MEET EU 2002/95 EC ROHS COMPLIANCE.
此产品需符合EU 2002/95 EC ROHS 环保要求
- ELECTRICAL PERFORMANCE REFER TO ES-000.
电气特性参考ES-000.
- 28AWG WIRE SPEC.(线的规格)
 - WIRE OD:0.7+/-0.05MM,
 - WIRE INSULATION: FEP
 - CONDUCTOR:7/0.127 TINNED COPPER
 - UL STYLE:UL1371
 - TEMPERATURE RATING:105℃
 - RATED VOLTAGE:300V
- 18AWG WIRE SPEC.(线的规格)
 - WIRE OD:2.05+/-0.05MM,
 - WIRE INSULATION: PVC
 - CONDUCTOR:34/0.178 TINNED COPPER
 - UL STYLE:UL1569
 - TEMPERATURE RATING:105℃
 - RATED VOLTAGE:300V
- STICK UL LABEL ON THE OUTSIDE CARTON.
外箱上贴UL 标签

G	HST 2MM BLACK	A/R	
F	18AWG/34STD,PLTD,PVC,RD,OD=2.05MM,UL1569	A/R	
E	18AWG/34STD,PLTD,PVC,BK,OD=2.05MM,UL1569	A/R	
D	28AWG,FEP,RED,OD:0.7MM,UL1371,VW-1.	A/R	
C	28AWG,FEP,BLACK,OD:0.7MM,UL1371,VW-1.	A/R	
B	TERMINAL 28-30AWG		2
A	4CKT HSG,WHITE		1
ITEM	DESCRIPTION	L(MM)	Q'TY

P1	COLOR
1	RED
2	
3	
4	BLACK

EC NO: CPG2013-2410 DRWN: CXIA003 CHKD: JDUAN APPR: FNIE	2013/01/26 2013/01/26 2013/01/28	QUALITY SYMBOLS F=0 F=0 F=0	GENERAL TOLERANCES (UNLESS SPECIFIED)		DIMENSION STYLE MM ONLY		SCALE ---	DESIGN UNITS METRIC	THIRD ANGLE PROJECTION
			4 PLACES ± --- ± --- 3 PLACES ± --- ± --- 2 PLACES ± --- ± --- 1 PLACE ± --- ± --- 0 PLACE ± --- ± ---	mm INCH	DRAWN BY CXIA003	DATE 2012/12/25	TITLE 2PINS WIRING PICO EZMATE 12" 18/28AWG	MATERIAL NO. 688014225	DOCUMENT NO. SD-68801-090
DRAFT WHERE APPLICABLE MUST REMAIN WITHIN DIMENSIONS			THIS DRAWING CONTAINS INFORMATION THAT IS PROPRIETARY TO MOLEX INCORPORATED AND SHOULD NOT BE USED WITHOUT WRITTEN PERMISSION						

6 5 4 3 2 1