



Chipsmall Limited consists of a professional team with an average of over 10 year of expertise in the distribution of electronic components. Based in Hongkong, we have already established firm and mutual-benefit business relationships with customers from,Europe,America and south Asia,supplying obsolete and hard-to-find components to meet their specific needs.

With the principle of “Quality Parts,Customers Priority,Honest Operation,and Considerate Service”,our business mainly focus on the distribution of electronic components. Line cards we deal with include Microchip,ALPS,ROHM,Xilinx,Pulse,ON,Everlight and Freescale. Main products comprise IC,Modules,Potentiometer,IC Socket,Relay,Connector.Our parts cover such applications as commercial,industrial, and automotives areas.

We are looking forward to setting up business relationship with you and hope to provide you with the best service and solution. Let us make a better world for our industry!



Contact us

Tel: +86-755-8981 8866 Fax: +86-755-8427 6832

Email & Skype: info@chipsmall.com Web: www.chipsmall.com

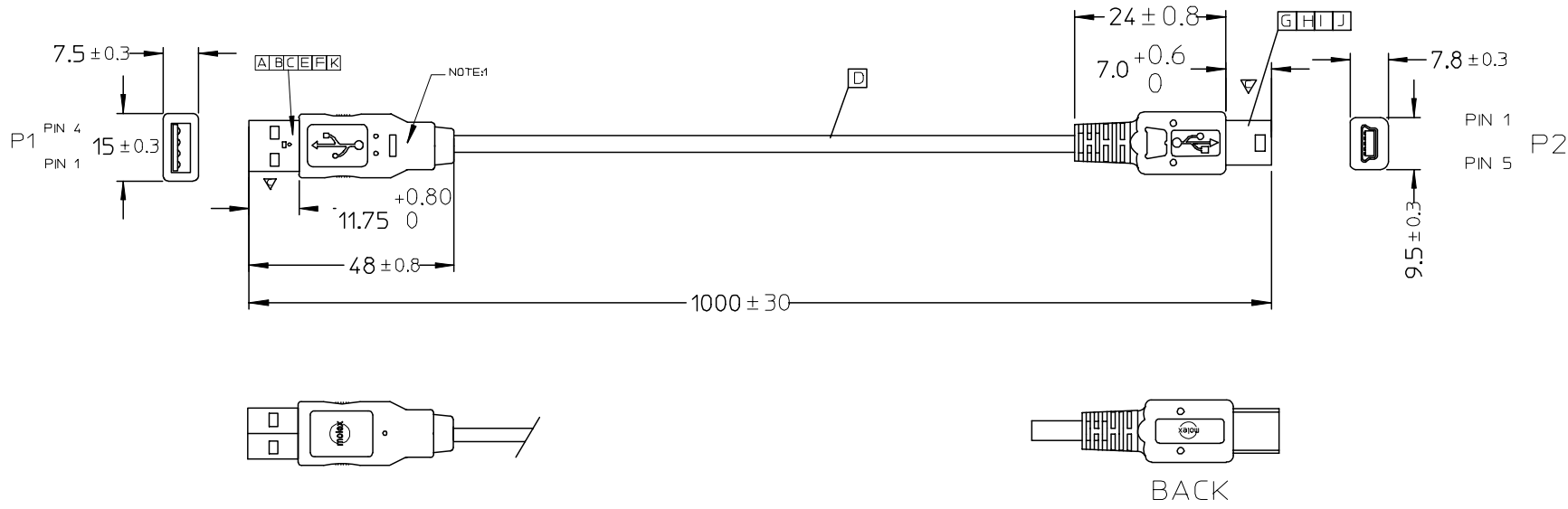
Address: A1208, Overseas Decoration Building, #122 Zhenhua RD., Futian, Shenzhen, China



7 6 5 4 3 2 1

E
D
C
B
A

E
D
C
B
A



NOTE:

1. OUTER MOLDED WITH BLK PVC RESIN 887800019
2. ALL COMPONENT MUST MEET RoHS REQUIREMENT.

K	COPPER FOIL 887801083		1
J	COPPER FOIL 887801114		1
I	USB SERIES MINI-B PLUG COVER SHIELD 675460000		1
H	USB SERIES MINI-B PLUG SHIELD CASE 675450000		1
G	MINI-B PLUG 675420008		1
F	TERMINAL 887809090 (AWG24)		2
E	TERMINAL 887809091 (AWG28)		2
D	USB #28/#24 BLK CABLE, 172000467	1000	1
C	REAR SHELL 887809084		1
B	FRONT SHELL 887809083		1
A	CRIMP HOUSING 887809086		1
ITEM	DESCRIPTION	L	QTY.

SHELL	SHELL	SHIELDING	BRAID WIRE
4	5	GROUND	BLACK
3	3	+DATA	GREEN
2	2	-DATA	WHITE
1	1	VCC	RED
P 1	P 2	SIGNAL NAME	WIRE COLOR

CONNECTION DIAGRAM

ENTER DESCRIPTION EC NO: DG2006-0078 DRWN: PHZHU CHKD: APPR: DOLUO	2005/10/15 2005/10/19 2005/10/20	QUALITY SYMBOLS ▽=0 ◻=0	GENERAL TOLERANCES (UNLESS SPECIFIED)		DIMENSION STYLE MM ONLY		SCALE ---	DESIGN UNITS METRIC	THIRD ANGLE PROJECTION		
				mm	INCH	DRAWN BY PHZHU	DATE 2005/10/07	TITLE USB 2.0 TYPE A TO MINI-B BLACK 3.3' CABLE ASS'Y			
			4 PLACES	± ---	± ---	CHECKED BY PHZHU	DATE 2005/10/07				
			3 PLACES	± ---	± ---	APPROVED BY ZXDENG	DATE 2005/10/07	MATERIAL NO. 68806-0019			
2 PLACES	± ---	± ---	ANGULAR ±1/2°		DOCUMENT NO. SD-68806-019		SHEET NO. 1 OF 1				
1 PLACE	± ---	± ---	DRAFT WHERE APPLICABLE MUST REMAIN WITHIN DIMENSIONS		SIZE A 4		THIS DRAWING CONTAINS INFORMATION THAT IS PROPRIETARY TO MOLEX INCORPORATED AND SHOULD NOT BE USED WITHOUT WRITTEN PERMISSION				

6 5 4 3 2 1