



Chipsmall Limited consists of a professional team with an average of over 10 year of expertise in the distribution of electronic components. Based in Hongkong, we have already established firm and mutual-benefit business relationships with customers from,Europe,America and south Asia,supplying obsolete and hard-to-find components to meet their specific needs.

With the principle of “Quality Parts,Customers Priority,Honest Operation,and Considerate Service”,our business mainly focus on the distribution of electronic components. Line cards we deal with include Microchip,ALPS,ROHM,Xilinx,Pulse,ON,Everlight and Freescale. Main products comprise IC,Modules,Potentiometer,IC Socket,Relay,Connector.Our parts cover such applications as commercial,industrial, and automotives areas.

We are looking forward to setting up business relationship with you and hope to provide you with the best service and solution. Let us make a better world for our industry!



Contact us

Tel: +86-755-8981 8866 Fax: +86-755-8427 6832

Email & Skype: info@chipsmall.com Web: www.chipsmall.com

Address: A1208, Overseas Decoration Building, #122 Zhenhua RD., Futian, Shenzhen, China





DE & GE SERIES

IEC INLET FILTERS

INTRODUCTIONS

1. DE & GE Series filters are for UL 544 & UL 2601 health care equipment.
2. DE Series: UL, CSA, VDE.
3. GE Series: UL, CSA, VDE.
4. GE Series is with optional bleeder resistor and wire connection.

COMPONENTS

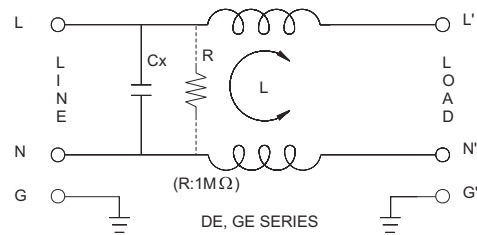
PART NO.	Cx (uF)	L (mH)
01DEEG3BM	0.033	5
03DEEG3BM		1.8
06DEEG3BM		0.6
10DEEG3BM		0.18
• 03GEEG3QM/W3QM	0.1	4.0
03GENG3QM/W3QM		1.5
•• 06GEEG3QM/W3QM		
06GENG3QM/W3QM		
••• 10GEEG3QM/W3QM		0.3
10GENG3QM/W3QM		
* 20GEEG3EM/W3EM		
* 20GENG3EM/W3EM		

- UL, CSA approved to 4A 115/250V
- UL, CSA approved to 8A 115/250V
- UL, CSA approved to 13A 115/250V
- * VDE approved to 16A 250V

SPECIFICATIONS

1. Maximum leakage current each line-to-ground: @ 115VAC 60Hz: 2uA
@ 250VAC 50Hz: 5uA
2. Hipot rating (one minute)
line-to-ground: 2250VDC
line-to-line: 1450VDC
3. Operating frequency: 50/60Hz
4. Rated voltage: 115/250VAC

ELECTRICAL SCHEMATIC



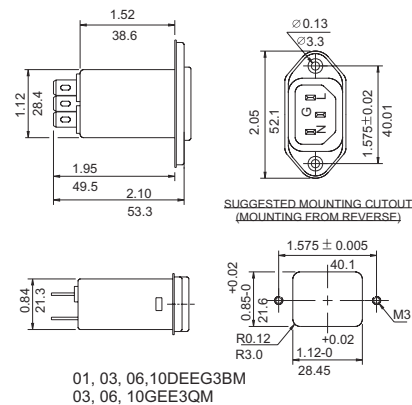
MINIMUM INSERTION LOSS IN dB

COMMON MODE (L-G) IN 50 OHM SYSTEM							
TYPE	CURRENT RATING	FREQUENCY-MHz					
		0.15	0.15	0.15	0.15	0.15	0.15
01DEEG3BM	1A	25	30	40	30	10	10
03DEEG3BM	3A	18	25	25	30	20	12
06DEEG3BM	6A	8	20	24	26	25	15
10DEEG3BM	10A	3	7	12	14	20	5
03GEEG3QM/W3QM	3A	18	25	25	20	18	5
03GENG3QM/W3QM							
06GEEG3QM/W3QM	6A	15	20	20	20	20	12
06GENG3QM/W3QM							
10GEEG3QM/W3QM	10A	6	8	10	10	10	6
10GENG3QM/W3QM							
20GEEG3EM/W3EM	20A	8	10	12	12	10	6
20GENG3EM/W3EM							

MECHANICAL CONSTRUCTION



EG3BM
EG3QM (optional wire type)



01, 03, 06, 10DEEG3BM
03, 06, 10GEE3QM

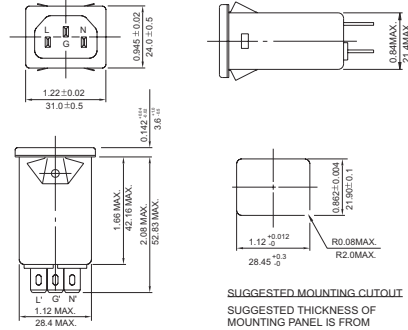
UNIT: INCH
mm

MECHANICAL CONSTRUCTION

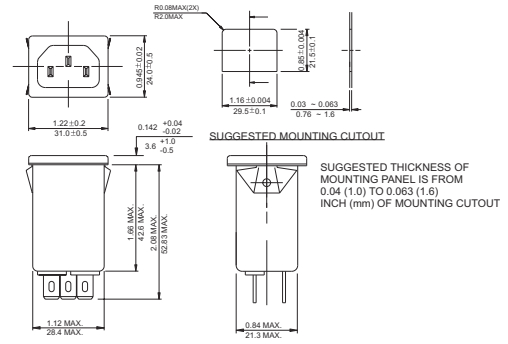


NG3QM
(Optional wire type)

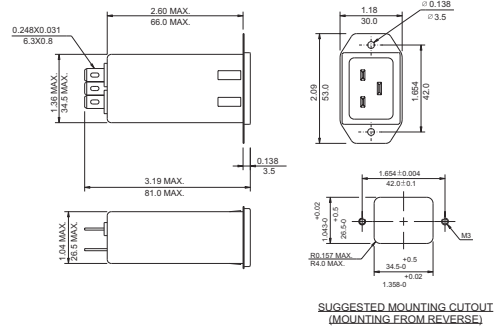
ALL WIRE LEADS 4.0" LONG MIN.



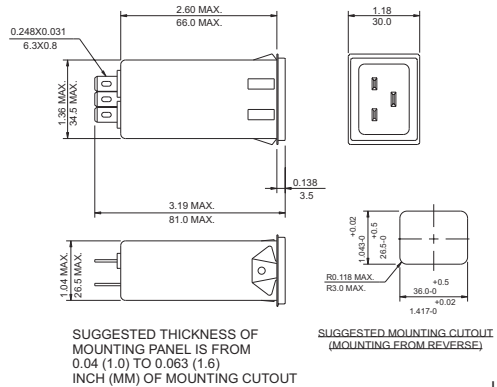
NG3QM(H)
(Optional wire type)



20GEEG3E
(Optional wire type)



20GENG3E
(Optional wire type)



UNIT: INCH
mm