



Chipsmall Limited consists of a professional team with an average of over 10 year of expertise in the distribution of electronic components. Based in Hongkong, we have already established firm and mutual-benefit business relationships with customers from,Europe,America and south Asia,supplying obsolete and hard-to-find components to meet their specific needs.

With the principle of “Quality Parts,Customers Priority,Honest Operation,and Considerate Service”,our business mainly focus on the distribution of electronic components. Line cards we deal with include Microchip,ALPS,ROHM,Xilinx,Pulse,ON,Everlight and Freescale. Main products comprise IC,Modules,Potentiometer,IC Socket,Relay,Connector.Our parts cover such applications as commercial,industrial, and automotives areas.

We are looking forward to setting up business relationship with you and hope to provide you with the best service and solution. Let us make a better world for our industry!



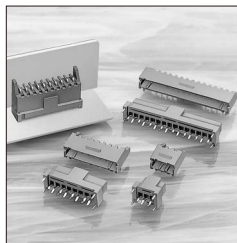
Contact us

Tel: +86-755-8981 8866 Fax: +86-755-8427 6832

Email & Skype: info@chipsmall.com Web: www.chipsmall.com

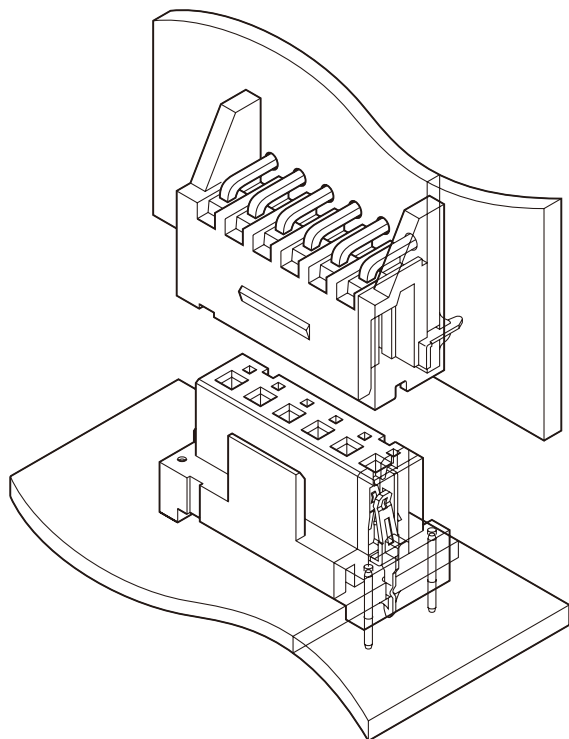
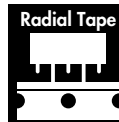
Address: A1208, Overseas Decoration Building, #122 Zhenhua RD., Futian, Shenzhen, China





JL CONNECTOR

2.5mm pitch/Board-to-board connectors



The JL connector is designed for board-to-board connection in electronic equipment requiring high-density mounting and unitization. This connector is highly resistant to equipment vibration and shock.

- **High contact pressure**
- **Housing lock assures good connection even after severe shock & vibration**
- **Reinforcing pins increase PCB mounting durability**
- **Polarized, fully shrouded header aligns the connector halves before their pins make contact**

Specifications

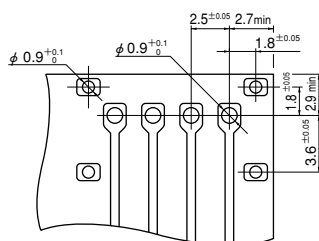
- Current rating: 3A AC, DC
- Voltage rating: 250V AC, DC
- Temperature range: -25°C to +85°C
(including temperature rise in applying electrical current)
- Contact resistance: Initial value/10m Ω max.
After environmental testing/20m Ω max.
- Insulation resistance: 1,000M Ω min.
- Withstanding voltage: 1,000V AC/minute
- Applicable PC board thickness: 1.6mm
- * Compliant with RoHS.
- * Refer to "General Instruction and Notice when using Terminals and Connectors" at the end of this catalog.
- * Contact JST for details.

Standards

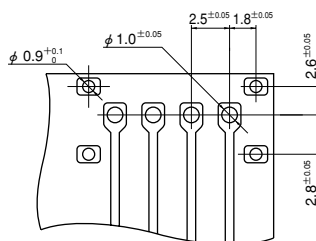
- Ⓜ Recognized E60389
- Ⓢ Certified LR20812

PC board layout (viewed from soldering side) and Assembly layout

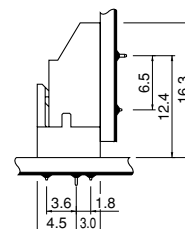
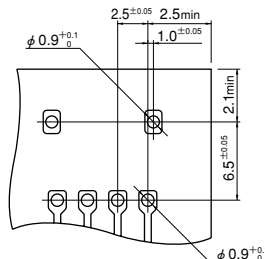
Receptacle



Receptacle on radial-tape



Shrouded header

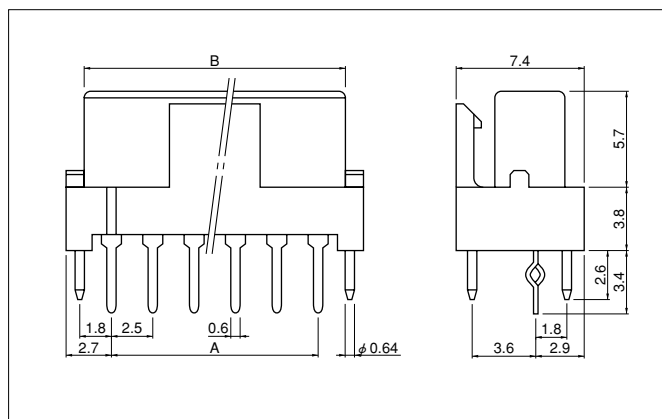


Note: 1. Tolerances are non-cumulative: $\pm 0.05\text{mm}$ for all centers.

2. Hole dimensions differ according to the kind of PC board and piercing method. The dimensions above should serve as a guideline. Contact JST for details.

JL CONNECTOR

Receptacle



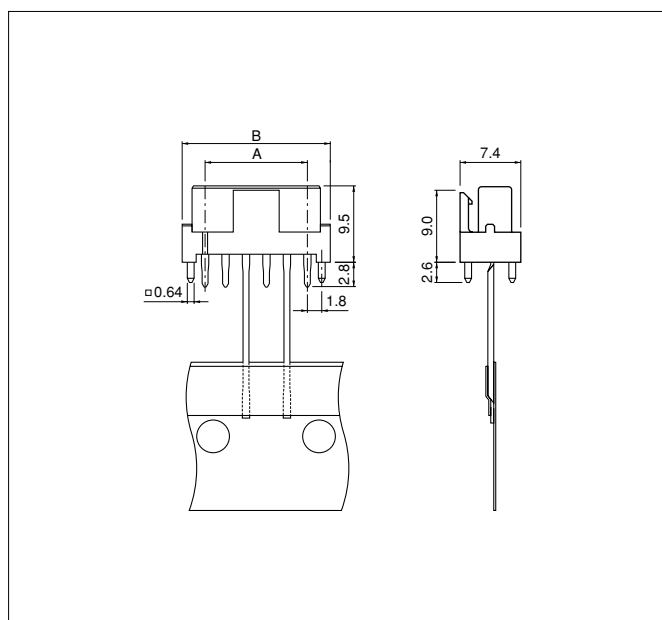
Circuits	Model No.	Dimensions (mm)		Qty / box
		A	B	
3	03JL-BT-E	5.0	8.2	250
4	04JL-BT-E	7.5	10.7	200
5	05JL-BT-E	10.0	13.2	200
6	06JL-BT-E	12.5	15.7	200
7	07JL-BT-E	15.0	18.2	200
8	08JL-BT-E	17.5	20.7	100
9	09JL-BT-E	20.0	23.2	100
10	10JL-BT-E	22.5	25.7	100
11	11JL-BT-E	25.0	28.2	100
12	12JL-BT-E	27.5	30.7	100
13	13JL-BT-E	30.0	33.2	100
15	15JL-BT-E	35.0	38.2	50

Material and Finish

Contact: Phosphor bronze, tin-plated (reflow treatment)
Housing: PA 66, UL94V-0, blue
Reinforcing pins: Brass, copper-undercoated, tin-plated (reflow treatment)

RoHS compliance This product displays (LF)(SN) on a label.

Receptacle on radial-tape



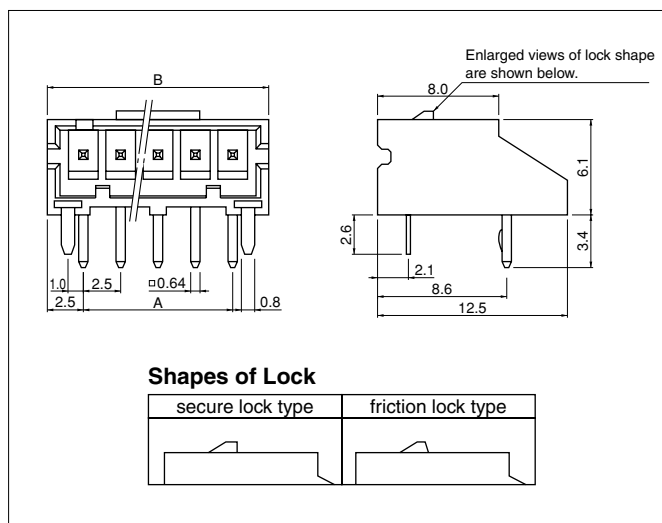
Circuits	Model No.	Dimensions (mm)		Qty / box
		A	B	
5	05JL-BT-M-T	10.0	15.4	400
6	06JL-BT-M-T	12.5	17.9	400
7	07JL-BT-M-T	15.0	20.4	400
8	08JL-BT-M-T	17.5	22.9	400

Material and Finish

Contact: Phosphor bronze, tin-plated (reflow treatment)
Housing: PA 66, UL94V-0
Reinforcing pins: Brass, copper-undercoated, tin-plated (reflow treatment)

RoHS compliance This product displays (LF)(SN) on a label.

Shrouded header



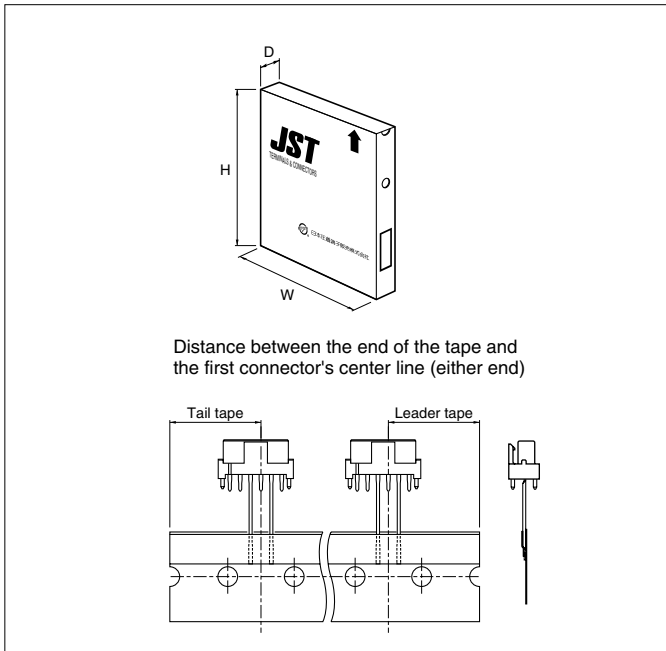
Circuits	Model No.		Dimensions (mm)		Qty / box
	secure lock type	friction lock type	A	B	
3	S3B-JL-R	S3B-JL-F-E	5.0	10.0	250
4	S4B-JL-R	S4B-JL-F-E	7.5	12.5	200
5	S5B-JL-R	S5B-JL-F-E	10.0	15.0	200
6	S6B-JL-R	S6B-JL-F-E	12.5	17.5	200
7	S7B-JL-R	S7B-JL-F-E	15.0	20.0	200
8	S8B-JL-R	S8B-JL-F-E	17.5	22.5	100
9	S9B-JL-R	S9B-JL-F-E	20.0	25.0	100
10	S10B-JL-R	S10B-JL-F-E	22.5	27.5	100
11	S11B-JL-R	S11B-JL-F-E	25.0	30.0	100
12	S12B-JL-R	S12B-JL-F-E	27.5	32.5	100
13	S13B-JL-R	S13B-JL-F-E	30.0	35.0	100
15	S15B-JL-R	S15B-JL-F-E	35.0	40.0	100

Material and Finish

Post: Brass, copper-undercoated, tin-plated (reflow treatment)
Wafer: PA 66, UL94V-0, red (secure lock type), blue (friction lock type)
Reinforcing pins: Brass, tin-plated (reflow treatment)

RoHS compliance This product displays (LF)(SN) on a label.

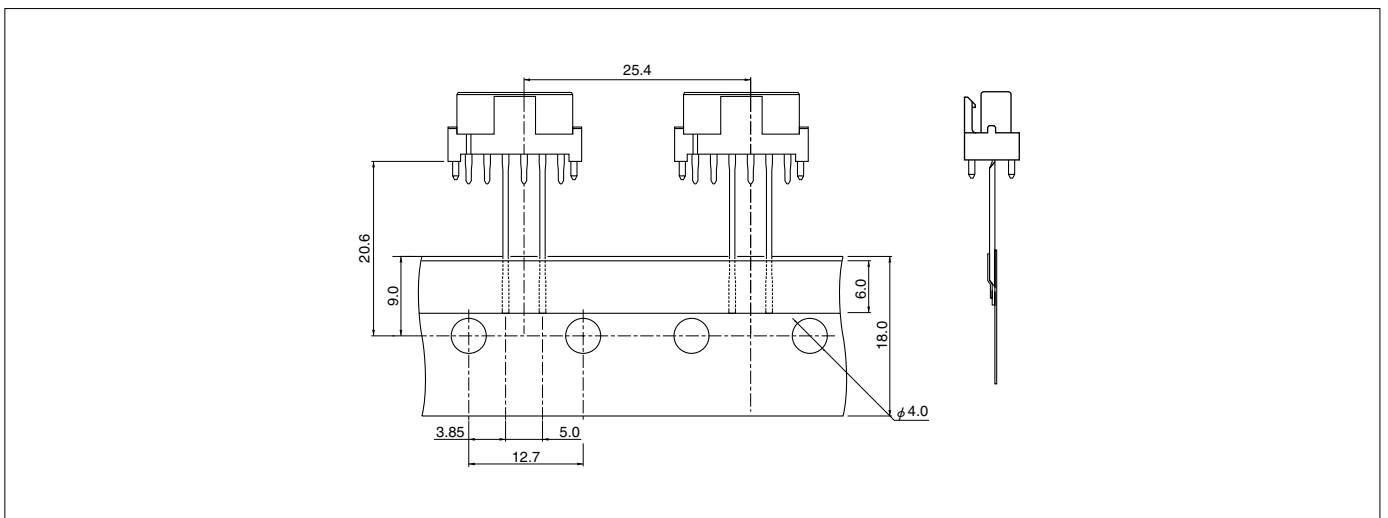
Packaging specifications



Package type	Flat pack (zigzag folded)	
Distance between folds	24 indexing holes per fold (304.8mm)	
Box size	315(W)×48(D)×285(H)mm	
Distance between the end of the tape and the first connector's center line (either end)	19.05mm	
Quantity	5~8 circuits	400 pcs. / box
Flat pack		

Note: Products of different packaging specifications are also available. Contact JST for details.

Taping Specifications



Note: Conforms to JIC C 0806 of "Tape packaging of components with unidirectional leads on continuous tapes".