



Chipsmall Limited consists of a professional team with an average of over 10 year of expertise in the distribution of electronic components. Based in Hongkong, we have already established firm and mutual-benefit business relationships with customers from,Europe,America and south Asia,supplying obsolete and hard-to-find components to meet their specific needs.

With the principle of “Quality Parts,Customers Priority,Honest Operation,and Considerate Service”,our business mainly focus on the distribution of electronic components. Line cards we deal with include Microchip,ALPS,ROHM,Xilinx,Pulse,ON,Everlight and Freescale. Main products comprise IC,Modules,Potentiometer,IC Socket,Relay,Connector.Our parts cover such applications as commercial,industrial, and automotives areas.

We are looking forward to setting up business relationship with you and hope to provide you with the best service and solution. Let us make a better world for our industry!



Contact us

Tel: +86-755-8981 8866 Fax: +86-755-8427 6832

Email & Skype: info@chipsmall.com Web: www.chipsmall.com

Address: A1208, Overseas Decoration Building, #122 Zhenhua RD., Futian, Shenzhen, China



Miniature Bayonet

7 SERIES

- MINIATURE BAYONET NON-GROUNDED OR GROUNDED LAMPHOLDERS
- SOLDER LUG TERMINALS OR PRINTED CIRCUIT BOARD TERMINALS
- ZINC PLATED STEEL SHELL
- MAXIMUM RATING: 10 WATTS, 50 VOLTS

Overview

The 7 Series lampholders are constructed with a zinc plated steel shell and printed circuit board or solder lug terminals. Lampholders can be supplied as either non-grounded or grounded units. Non-grounded are supplied with two tinned solder lug terminals. Grounded units are supplied with one tinned solder lug terminal, unless otherwise noted. Many bracket and mounting options are available including printed circuit board terminals and a 5/8" mounting hole plug button. Lampholders are designed for use in low voltage lamp applications with miniature bayonet lamps.

Specifications

Shell: 3/4" zinc plated steel.

Custom shells also available:

3/4" brass shell. Add **-BR** to the end of a part number. For example, **07-07** changes to **07-07-BR** for brass shell.

Low Profile "J" Shell: zinc plated steel, 1/2" shell height. Add **J** to end of base part number. For example, **07-07-1** changes to **07-07J-1** for low profile shell with 1/2" height.

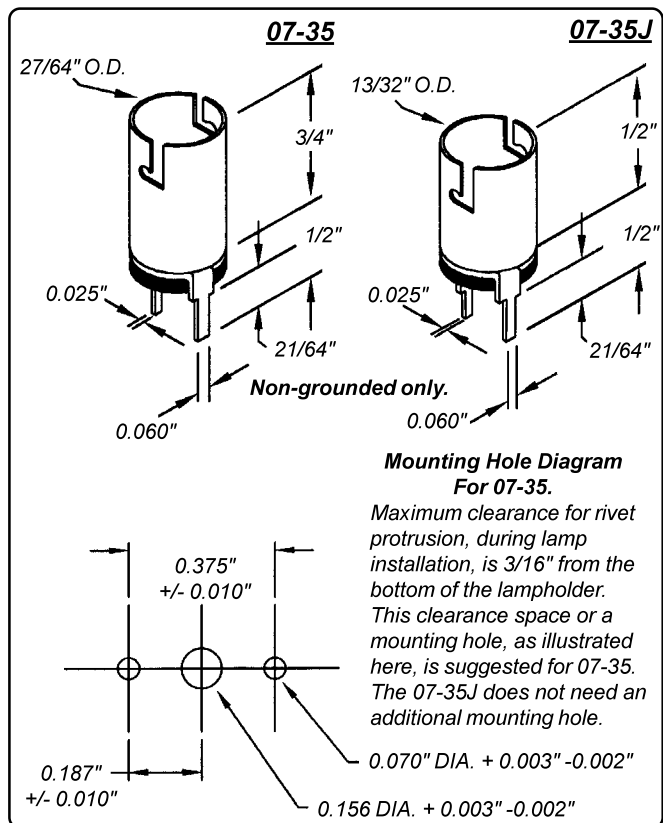
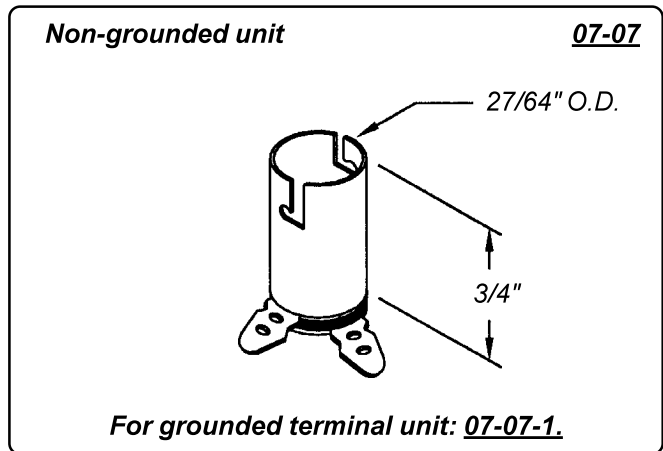
Terminals:

Solder Lug: solder coated steel, 0.250" length x 0.020" thick, 60°-90° apart with two wire holes 3/32" in diameter. Non-grounded units are supplied with two terminals. Grounded units are supplied with one terminal.

Printed circuit board terminals: electro tinned steel.

Mounting brackets: 0.025" to 0.032" zinc plated steel. Custom brackets and plating types are available.

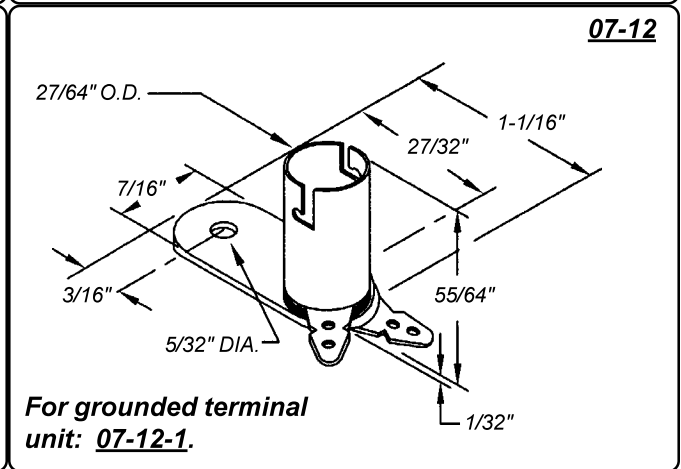
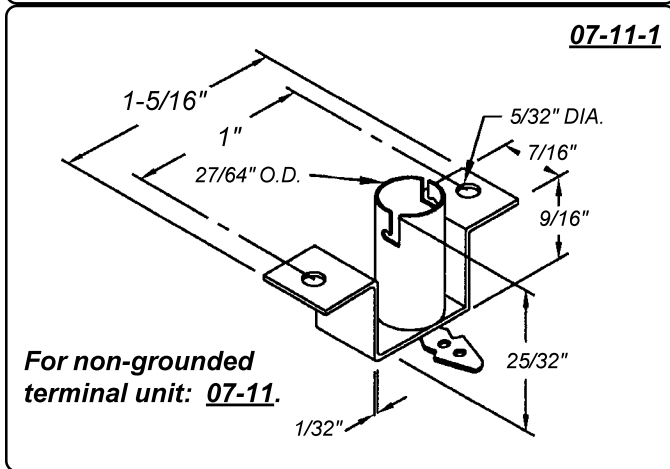
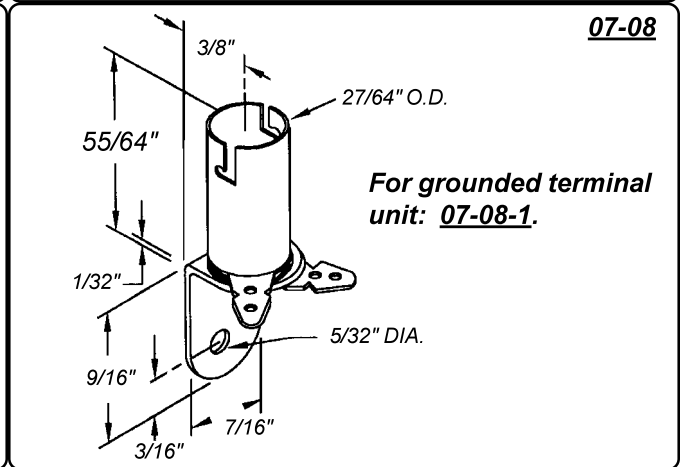
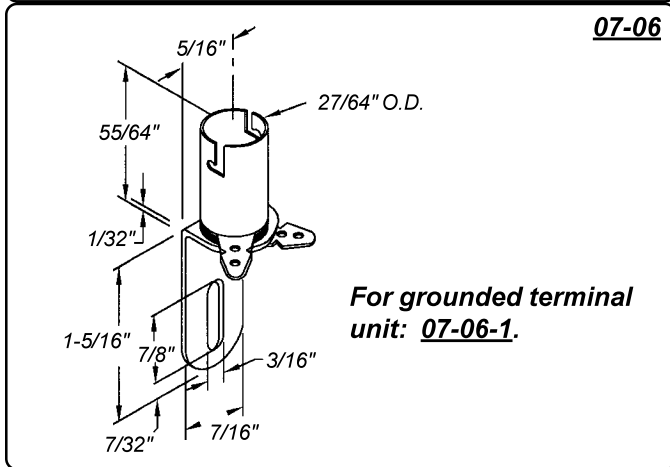
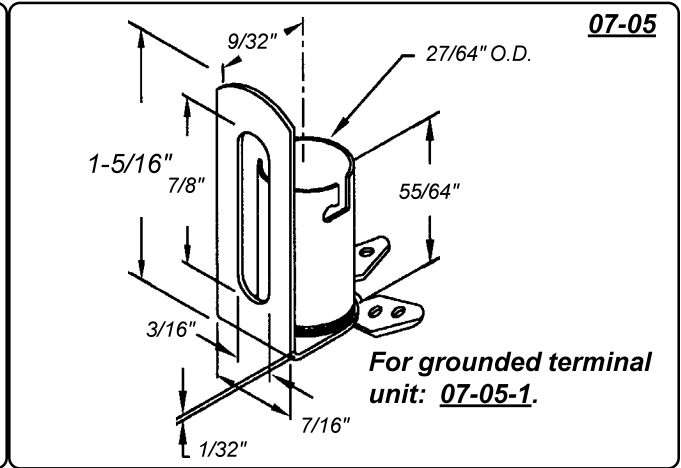
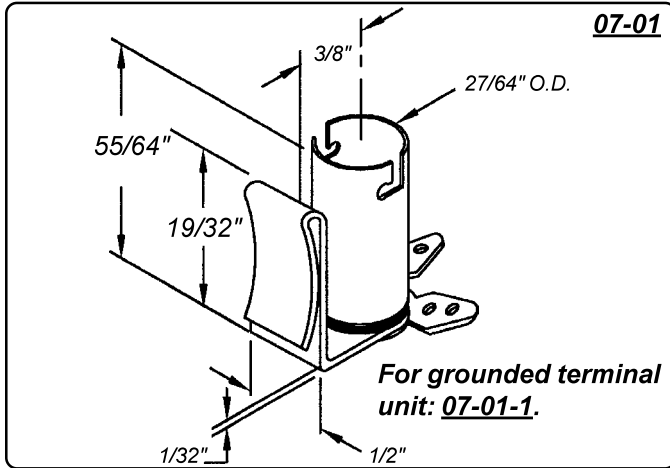
Maximum rating: 10 Watts, 50 Volts.



Miniature Bayonet 7 SERIES

Maximum Rating: 10 Watts, 50 Volts
Non-Grounded or Grounded

Zinc Plated Steel Shell
Solder Lug Terminals or
Printed Circuit Board Terminals

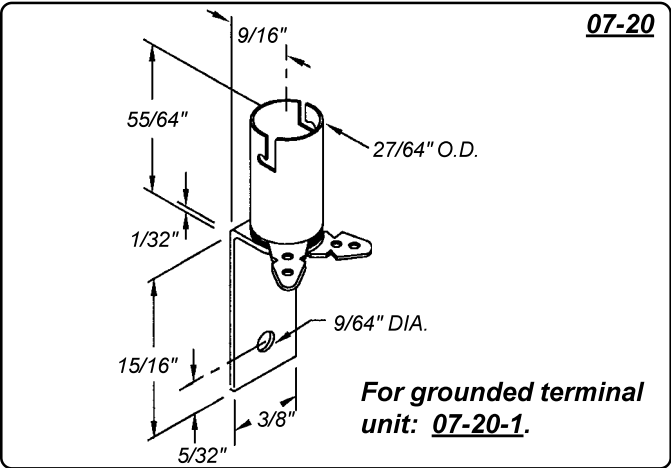
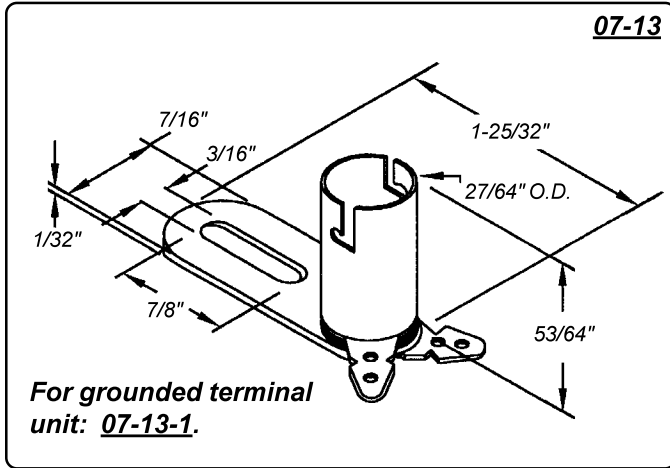


Miniature Bayonet

7 SERIES

Maximum Rating: 10 Watts, 50 Volts
Non-Grounded or Grounded

Zinc Plated Steel Shell
Solder Lug Terminals or
Printed Circuit Board Terminals



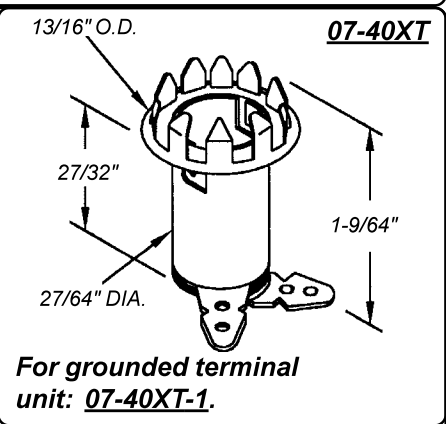
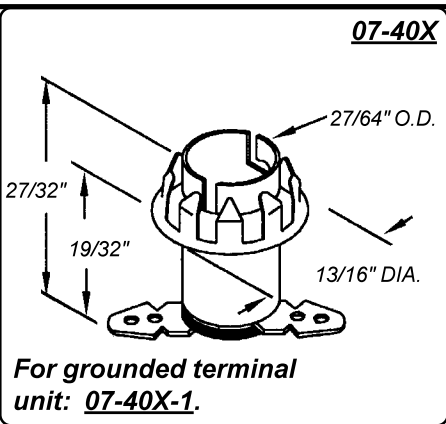
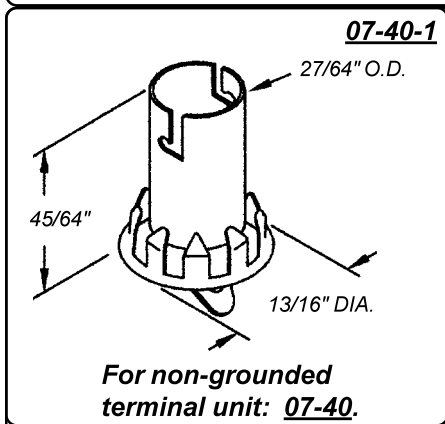
07-14-1
07-15-1
07-18-1
07-82-1

Mounting Hole Diagram

Bracket No.	"A" Dimension
-14	7/8"
-15	1-1/4"
-18	1-1/2"
-82	1"

Maximum Panel Thickness .045"

For non-grounded terminal units:
07-14, 07-15, 07-18, 07-82.



Plug buttons: zinc plated steel, for 5/8" hole with panel thickness range 1/16" to 3/32".