



Chipsmall Limited consists of a professional team with an average of over 10 year of expertise in the distribution of electronic components. Based in Hongkong, we have already established firm and mutual-benefit business relationships with customers from,Europe,America and south Asia,supplying obsolete and hard-to-find components to meet their specific needs.

With the principle of “Quality Parts,Customers Priority,Honest Operation,and Considerate Service”,our business mainly focus on the distribution of electronic components. Line cards we deal with include Microchip,ALPS,ROHM,Xilinx,Pulse,ON,Everlight and Freescale. Main products comprise IC,Modules,Potentiometer,IC Socket,Relay,Connector.Our parts cover such applications as commercial,industrial, and automotives areas.

We are looking forward to setting up business relationship with you and hope to provide you with the best service and solution. Let us make a better world for our industry!



Contact us

Tel: +86-755-8981 8866 Fax: +86-755-8427 6832

Email & Skype: info@chipsmall.com Web: www.chipsmall.com

Address: A1208, Overseas Decoration Building, #122 Zhenhua RD., Futian, Shenzhen, China



Thermal device circuit breaker - TCP 40/DC32V - 0700040

Please be informed that the data shown in this PDF Document is generated from our Online Catalog. Please find the complete data in the user's documentation. Our General Terms of Use for Downloads are valid (<http://phoenixcontact.com/download>)



Thermal device circuit breaker, Number of positions: 1, Nominal current: 40 A, Nominal voltage: 32 V, Width: 6 mm, Fuse type: Slow-blow, Fuse type: Automatic device, Mounting type: On base element, Color: orange

Product Features

- ✓ Compact design with precise nominal current levels
- ✓ A version with screw or spring-cage connection is used as a basic terminal block
- ✓ In the event of an error, the time-sensitive search for a suitable replacement fuse is eliminated thanks to the reclosure function
- ✓ Fits in all fuse holders designed for flat-type fuse inserts according to ISO 8820-3 (DIN 72581-3)
- ✓ Plug-in thermal miniature circuit breakers combine the protective mechanism of an auto flat-type fuse with the advantages of a circuit breaker
- ✓ The area of application extends to the protection of integrated circuits in all battery and onboard systems with up to 32 V DC



Key Commercial Data

Packing unit	1 pc
Weight per Piece (excluding packing)	5.0 g
Custom tariff number	85362010
Country of origin	Germany

Technical data

General

Mounting type	On base element
Color	orange
Number of positions	1
Insulating material	PA

Electrical data

Fuse	Slow-blow
Fuse type	Automatic device
Rated voltage	32 V DC

Thermal device circuit breaker - TCP 40/DC32V - 0700040

Technical data

Electrical data

Rated current I_N	40 A
Rated short-circuit switching capacity I_{cn}	150 A (≥ 3 switch-offs)
	2000 A (≥ 1 switch-off)
	≤ 50 A (300 switch-offs)

Dimensions

Height	20.3 mm
Width	6 mm
Depth	24 mm

Ambient conditions

Degree of protection	IP30 (Actuation area)
Ambient temperature (operation)	-40 °C ... 85 °C

Classifications

eCl@ss

eCl@ss 4.0	27141116
eCl@ss 4.1	27141116
eCl@ss 5.0	27141116
eCl@ss 5.1	27141116
eCl@ss 6.0	27141116
eCl@ss 7.0	27141116
eCl@ss 8.0	27141116

ETIM

ETIM 2.0	EC000899
ETIM 3.0	EC000899
ETIM 4.0	EC000899
ETIM 5.0	EC000899

UNSPSC

UNSPSC 6.01	30211812
UNSPSC 7.0901	39121411
UNSPSC 11	39121411
UNSPSC 12.01	39121411
UNSPSC 13.2	39121411

Thermal device circuit breaker - TCP 40/DC32V - 0700040

Approvals

Approvals

Approvals

EAC / EAC

Ex Approvals

Approvals submitted

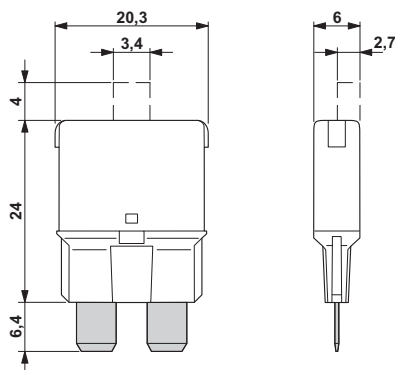
Approval details

EAC

EAC

Drawings

Dimensional drawing



Thermal device circuit breaker - TCP 40/DC32V - 0700040

Application drawing

