



Chipsmall Limited consists of a professional team with an average of over 10 year of expertise in the distribution of electronic components. Based in Hongkong, we have already established firm and mutual-benefit business relationships with customers from,Europe,America and south Asia,supplying obsolete and hard-to-find components to meet their specific needs.

With the principle of “Quality Parts,Customers Priority,Honest Operation,and Considerate Service”,our business mainly focus on the distribution of electronic components. Line cards we deal with include Microchip,ALPS,ROHM,Xilinx,Pulse,ON,Everlight and Freescale. Main products comprise IC,Modules,Potentiometer,IC Socket,Relay,Connector.Our parts cover such applications as commercial,industrial, and automotives areas.

We are looking forward to setting up business relationship with you and hope to provide you with the best service and solution. Let us make a better world for our industry!



Contact us

Tel: +86-755-8981 8866 Fax: +86-755-8427 6832

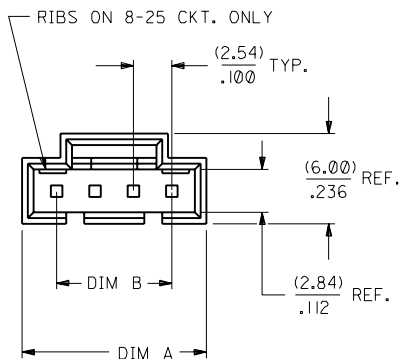
Email & Skype: info@chipsmall.com Web: www.chipsmall.com

Address: A1208, Overseas Decoration Building, #122 Zhenhua RD., Futian, Shenzhen, China

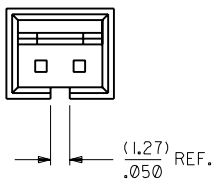


NOTES:

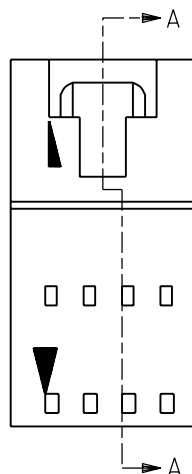
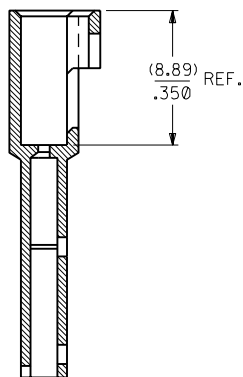
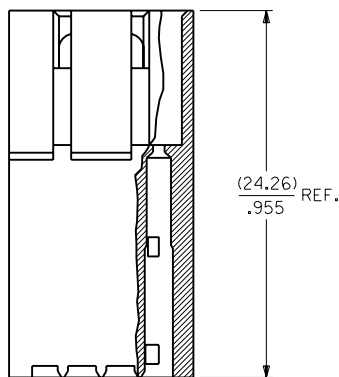
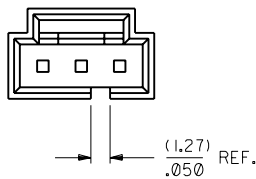
- 1) MATERIAL: GLASS FILLED POLYESTER, UL 94V-0
COLOR: BLACK
- 2) HOUSING TO BE USED WITH TERMINAL
PT. NO. 70021-****.
- 3) SEE CHART FOR CIRCUIT SIZES.
- 4) TO BE USED WITH 70400 SERIES
CONNECTORS (STYLE "G").
- 5) PACKAGE PER PK-70107-100.



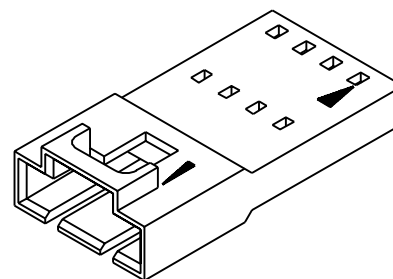
2 CIRCUIT



3 CIRCUIT



SECTION A-A



CKT. SIZE	EDP. NO.	ENG. NO.	A	B
2	701-07-0001	70107-0001	(7.11) .280	(2.54) .100
3	701-07-0002	70107-0002	(9.65) .380	(5.08) .200
4	701-07-0003	70107-0003	(12.19) .480	(7.62) .300
5	701-07-0004	70107-0004	(14.73) .580	(10.16) .400
6	701-07-0005	70107-0005	(17.27) .680	(12.70) .500
7	701-07-0006	70107-0006	(19.81) .780	(15.24) .600
8	701-07-0007	70107-0007	(22.35) .880	(17.78) .700
9	701-07-0008	70107-0008	(24.89) .980	(20.32) .800
10	701-07-0009	70107-0009	(27.43) 1.080	(22.86) .900
11	701-07-0010	70107-0010	(29.97) 1.180	(25.40) 1.000
12	701-07-0011	70107-0011	(32.51) 1.280	(27.94) 1.100
13	701-07-0012	70107-0012	(35.05) 1.380	(30.48) 1.200
14	701-07-0013	70107-0013	(37.59) 1.480	(33.02) 1.300
15	701-07-0014	70107-0014	(40.13) 1.580	(35.56) 1.400
16	701-07-0015	70107-0015	(42.67) 1.680	(38.10) 1.500
17	701-07-0016	70107-0016	(45.21) 1.780	(40.64) 1.600
18	701-07-0017	70107-0017	(47.75) 1.880	(43.18) 1.700
19	701-07-0018	70107-0018	(50.29) 1.980	(45.72) 1.800
20	701-07-0019	70107-0019	(52.83) 2.080	(48.26) 1.900
21	701-07-0020	70107-0020	(55.37) 2.180	(50.80) 2.000
22	701-07-0021	70107-0021	(57.91) 2.280	(53.34) 2.100
23	701-07-0022	70107-0022	(60.45) 2.380	(55.88) 2.200
24	701-07-0023	70107-0023	(62.99) 2.480	(58.42) 2.300
25	701-07-0024	70107-0024	(65.53) 2.580	(60.96) 2.400

H ADD PKG NOTE PER UDT2000-0468 SCHAFER 99/12/1		DIMENSIONS SHOWN (METRIC) INCH UNLESS OTHERWISE SPECIFIED TOLERANCES: ANGULAR ± 1/2°		MFG, SH, REV.	
I I FIXED REV BLOCK I TO CORRECT ECR * PER UDT2002-0499 KSTILES 01/09/25		G REVISE PER ECR #J81037 2/22/88 MJM		5 PLACE ± .010 INCH --- METRIC 2 PLACE ± .014 ± 0.25 1 PLACE --- ± 0.35	
I CHANGED MATERIAL AND SWITCHED A AND B DIMS PER UDT2002-0007 KSTILES 01/07/17		F REDRAWN ON CAD ADD SHEET 2 PER ECR #9280 8/21/86 MJM		DRAFT WHERE APPLICABLE MUST REMAIN WITHIN DIMENSIONS	
LTR. REVISIONS		LTR. REVISIONS		DRWG. NO. SD-70107-0001-0024 FILE NAME S70107X01.DWG APPR'D. BY WAZ SCALE 4 : 1 DIV. 12 DATE 07/02/86 SHEET NO. 1 MOLEX INCORPORATED U.S.A. LISLE, ILL. 60532	