



Chipsmall Limited consists of a professional team with an average of over 10 year of expertise in the distribution of electronic components. Based in Hongkong, we have already established firm and mutual-benefit business relationships with customers from,Europe,America and south Asia,supplying obsolete and hard-to-find components to meet their specific needs.

With the principle of “Quality Parts,Customers Priority,Honest Operation,and Considerate Service”,our business mainly focus on the distribution of electronic components. Line cards we deal with include Microchip,ALPS,ROHM,Xilinx,Pulse,ON,Everlight and Freescale. Main products comprise IC,Modules,Potentiometer,IC Socket,Relay,Connector.Our parts cover such applications as commercial,industrial, and automotives areas.

We are looking forward to setting up business relationship with you and hope to provide you with the best service and solution. Let us make a better world for our industry!



Contact us

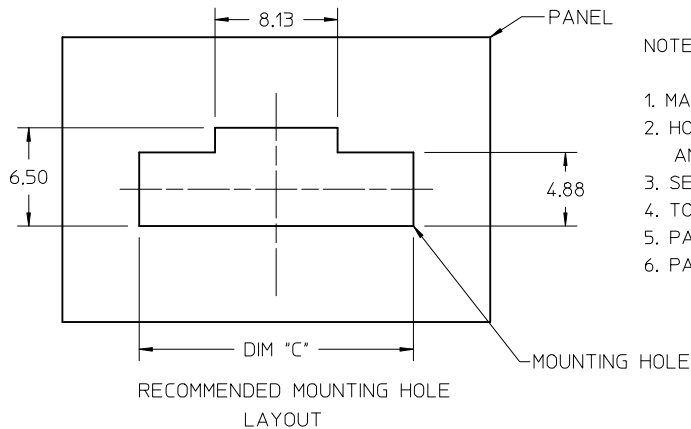
Tel: +86-755-8981 8866 Fax: +86-755-8427 6832

Email & Skype: info@chipsmall.com Web: www.chipsmall.com

Address: A1208, Overseas Decoration Building, #122 Zhenhua RD., Futian, Shenzhen, China

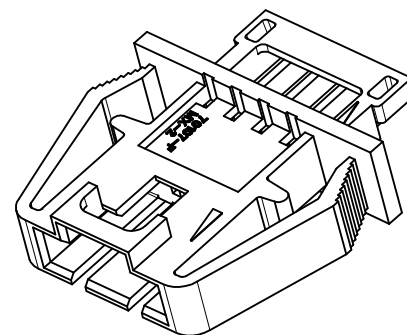
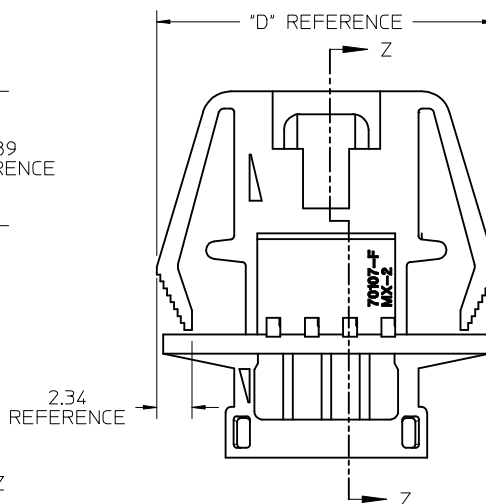
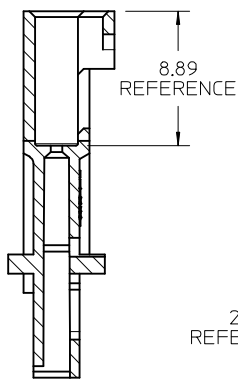
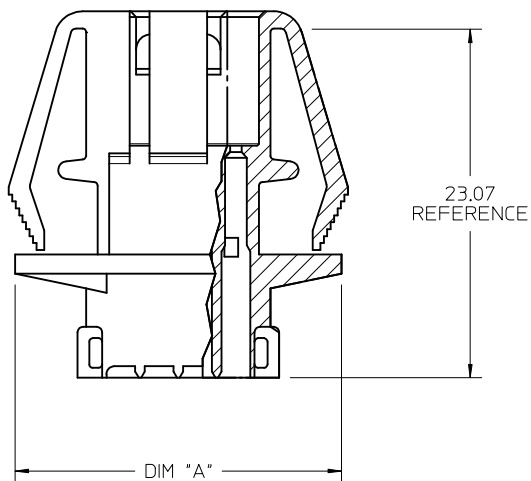
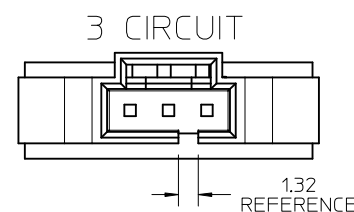
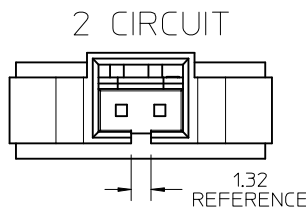
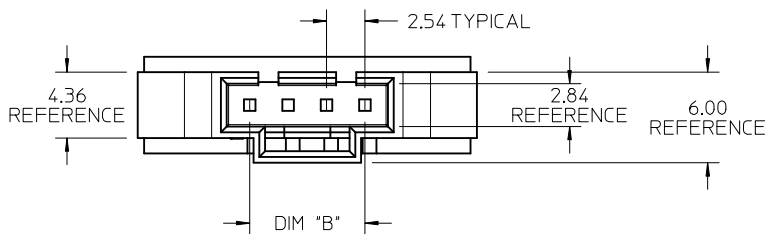


CKT	VERSION F W/ LATCHES	DIM "A"	DIM "B"	DIM "C"	DIM "D"
	EDP. NO.				
2	70107-5036	16.51	2.54 +/-0.08	13.08	16.3
3	70107-5037	19.05	5.08 +/-0.08	15.62	18.9
4	70107-5038	21.59	7.62 +/-0.10	18.61	21.4
5	70107-5039	24.13	10.16 +/-0.10	20.70	23.9
6	70107-5040	26.67	12.70 +/-0.10	23.24	26.5
7	70107-5041	29.21	15.24 +/-0.10	25.78	29.0
8	70107-5042	31.75	17.78 +/-0.10	28.32	31.6



NOTES:

1. MATERIAL: GLASS FILLED POLYESTER, UL 94V-0, COLOR: BLACK.
2. HOUSING TO BE USED WITH TERMINAL PART NUMBER 70021-****, AND TERMINAL POSITION ASSURANCE 73838.
3. SEE TABLE FOR CIRCUIT SIZES.
4. TO BE USED WITH 70400 SERIES CONNECTORS (STYLE "G").
5. PANEL THICKNESS 0.81-2.36
6. PACKAGE PER PK-70107-100.



ADD DIM "D" EC NO: UCP2015-1922 DRWN: MPOFF 2014/11/06 CHKD: TIBARRA 2014/11/06 APPR: SMILLER 2014/11/11	QUALITY SYMBOLS ▽=0 ▽=0 ▽=0	GENERAL TOLERANCES (UNLESS SPECIFIED)		DIMENSION STYLE MM ONLY	SCALE 4:1	DESIGN UNITS METRIC	THIRD ANGLE PROJECTION		
		4 PLACES ± --- ± --- 3 PLACES ± --- ± --- 2 PLACES ± 0.25 ± --- 1 PLACE ± 0.35 ± --- 0 PLACE ± --- ± ---	mm INCH	DRAWN BY DATE RWHIPPLE 2014/06/27	CHECKED BY DATE MPOFF 2014/06/28	TITLE HOUSING, CONNECTOR (2.54)/100 GRID VERSION F WITH LATCHES			
		ANGULAR ±1/2°		APPROVED BY DATE SMILLER 2014/07/18	molex				
		DRAFT WHERE APPLICABLE MUST REMAIN WITHIN DIMENSIONS		MATERIAL NO. SEE TABLE	DOCUMENT NO. SD-70107-503	SHEET NO. 1 OF 1			