



Chipsmall Limited consists of a professional team with an average of over 10 year of expertise in the distribution of electronic components. Based in Hongkong, we have already established firm and mutual-benefit business relationships with customers from,Europe,America and south Asia,supplying obsolete and hard-to-find components to meet their specific needs.

With the principle of "Quality Parts,Customers Priority,Honest Operation,and Considerate Service",our business mainly focus on the distribution of electronic components. Line cards we deal with include Microchip,ALPS,ROHM,Xilinx,Pulse,ON,Everlight and Freescale. Main products comprise IC,Modules,Potentiometer,IC Socket,Relay,Connector.Our parts cover such applications as commercial,industrial, and automotives areas.

We are looking forward to setting up business relationship with you and hope to provide you with the best service and solution. Let us make a better world for our industry!



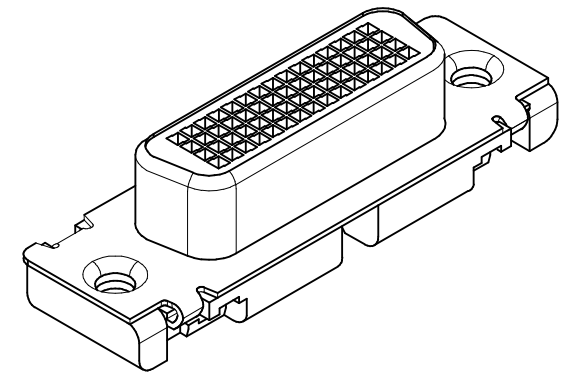
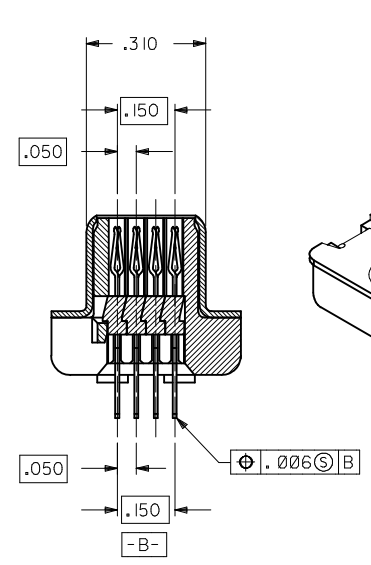
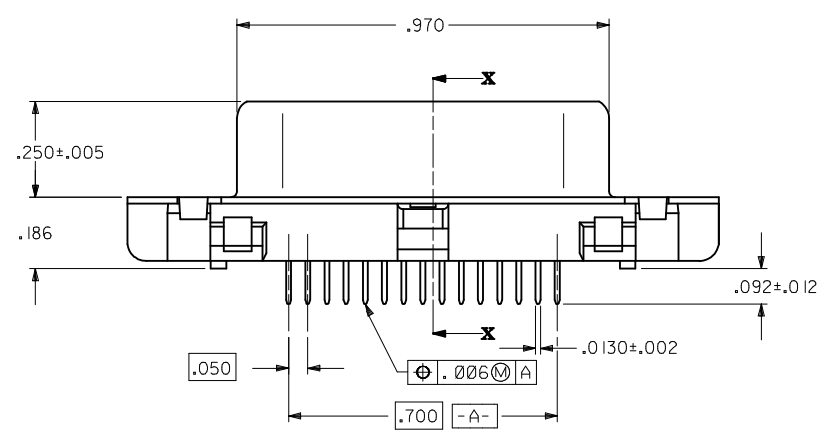
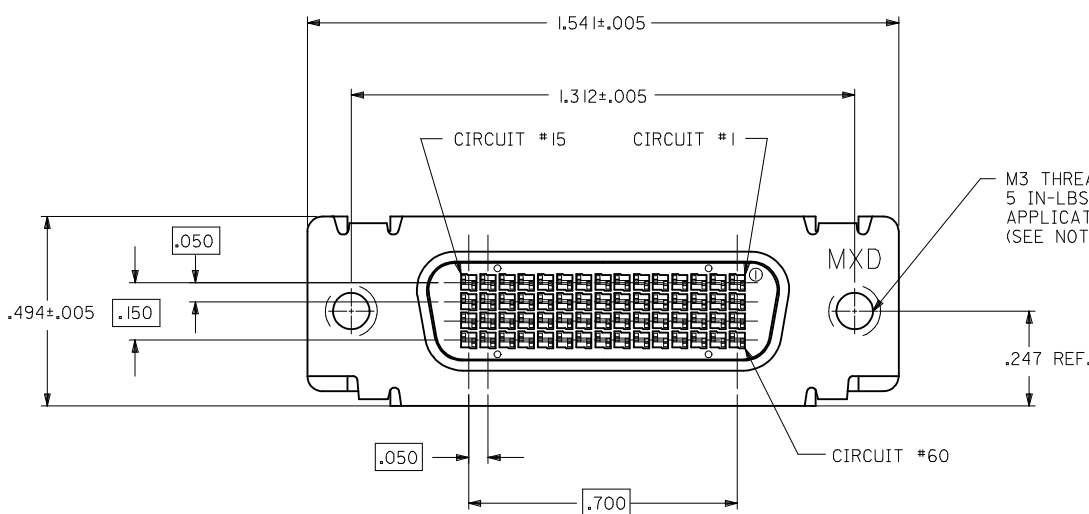
Contact us

Tel: +86-755-8981 8866 Fax: +86-755-8427 6832

Email & Skype: info@chipsmall.com Web: www.chipsmall.com

Address: A1208, Overseas Decoration Building, #122 Zhenhua RD., Futian, Shenzhen, China

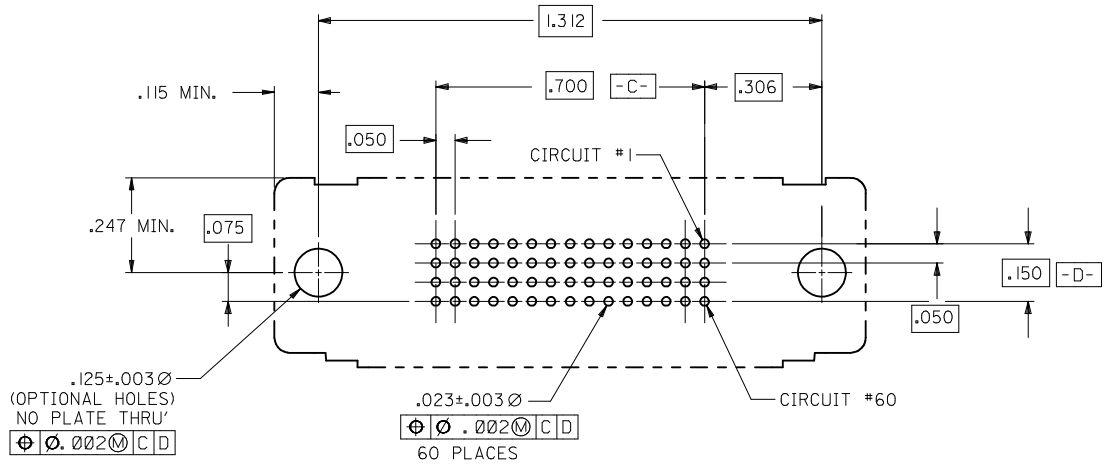




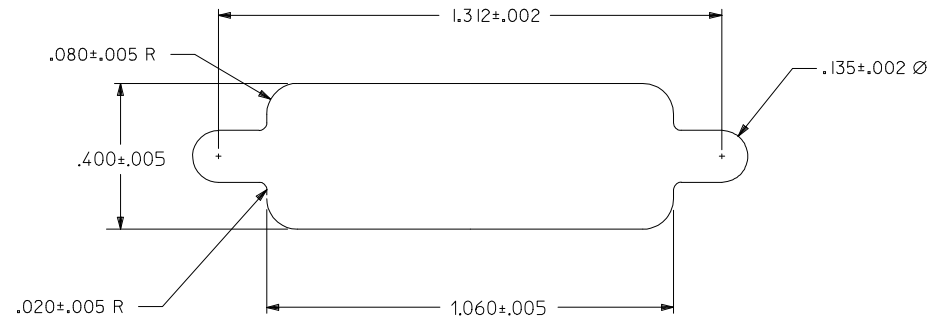
- NOTES:
- 1) MATERIALS:
 - HOUSING: GLASS FILLED LCP (LIQUID CRYSTAL POLYMER), UL 94V-0, COLOR: BLACK.
 - MOLDED STICK: GLASS FILLED LCP (LIQUID CRYSTAL POLYMER), UL 94V-0, COLOR: BLACK.
 - FEMALE TERMINAL: HIGH PERFORMANCE COPPER ALLOY
 - OUTER SHELL: DEEP DRAWN STEEL.
 - 2) PLATING :
 - TERMINAL: 30 microinches / 0.76 micrometer MIN. GOLD IN SELECTIVE AREA, 100 microinches / 2.54 micrometer MIN. TIN IN SELECTIVE AREA, OVER NICKEL UNDERPLATE OVERALL.
 - OUTER SHELL: 100 microinches / 2.54 MIN. BRIGHT NICKEL OVER COPPER FLASH (OPTIONAL)
 - 3) CONFORMS TO PRODUCT SPECIFICATION PS-70928.
 - 4) PARTS PACKAGED PK-70873-0291.
 - 5) THREAD GAUGE MAY REQUIRE UP TO 1 IN.-LB. OF TORQUE DURING GAUGING PROCESS.
 - 6) PART COMPLIES WITH CLASS B OF COSMETIC SPECIFICATION PS-45499-002

SECTION X-X

MOD PANEL CUT-OUT EC NO: UCP2012-0335 DRAWN: DMORGAN 2011/08/11 CHKD: MPOFF 2014/04/11 APPR: SMILLER 2014/05/12	QUALITY SYMBOLS ▽=0 ▽=0 ▽=0	GENERAL TOLERANCES (UNLESS SPECIFIED)		DIMENSION STYLE INCH ONLY		SCALE 4:1	DESIGN UNITS INCH	THIRD ANGLE PROJECTION			
		4 PLACES ± --- ± ---	3 PLACES ± --- ± .010	2 PLACES ± --- ± ---	1 PLACE ± --- ± ---	0 PLACE ± --- ± ---	DRAWN BY MOS		DATE 1993/12/07		
		CHECKED BY MOS		DATE 1993/12/07		APPROVED BY CAB		DATE 1993/12/07		.050 PITCH CKT LFH VERTICAL I/O - M3 SHIELD RECEPTACLE 	
		MATERIAL NO. 70928-0002		DOCUMENT NO. SDA-70928-0002		SHEET NO. 1 OF 2					
DRAFT WHERE APPLICABLE MUST REMAIN WITHIN DIMENSIONS		ANGULAR ±1/2°		SIZE C		THIS DRAWING CONTAINS INFORMATION THAT IS PROPRIETARY TO MOLEX INCORPORATED AND SHOULD NOT BE USED WITHOUT WRITTEN PERMISSION					



RECOMMENDED P.C.B. LAYOUT
COMPONENT SIDE



RECOMMENDED PANEL CUT-OUT

SEE SHEET 1 EC NO: UCP2012-0335 DRW:DMORGAN 2011/08/11 CHK:DMPOFF 2014/04/11 APPR:SMILLER 2014/05/12	QUALITY SYMBOLS ▽=0 ▽=0 ▽=0	GENERAL TOLERANCES (UNLESS SPECIFIED) mm INCH 4 PLACES ± --- ± --- 3 PLACES ± --- ± .010 2 PLACES ± --- ± --- 1 PLACE ± --- ± --- 0 PLACE ± --- ± ---	DIMENSION STYLE INCH ONLY DRAWN BY DATE MOS 1993/12/07 CHECKED BY DATE MOS 1993/12/07 APPROVED BY DATE CAB 1993/12/07	SCALE 4:1 DESIGN UNITS INCH THIRD ANGLE PROJECTION	TITLE .050 PITCH CKT LFH VERTICAL I/O - M3 SHIELD RECEPTACLE molex	MATERIAL NO. 70928-0002 DOCUMENT NO. SDA-70928-0002 SHEET NO. 2 OF 2
	DRAFT WHERE APPLICABLE MUST REMAIN WITHIN DIMENSIONS	ANGULAR ±1/2°	SIZE C	THIS DRAWING CONTAINS INFORMATION THAT IS PROPRIETARY TO MOLEX INCORPORATED AND SHOULD NOT BE USED WITHOUT WRITTEN PERMISSION		

